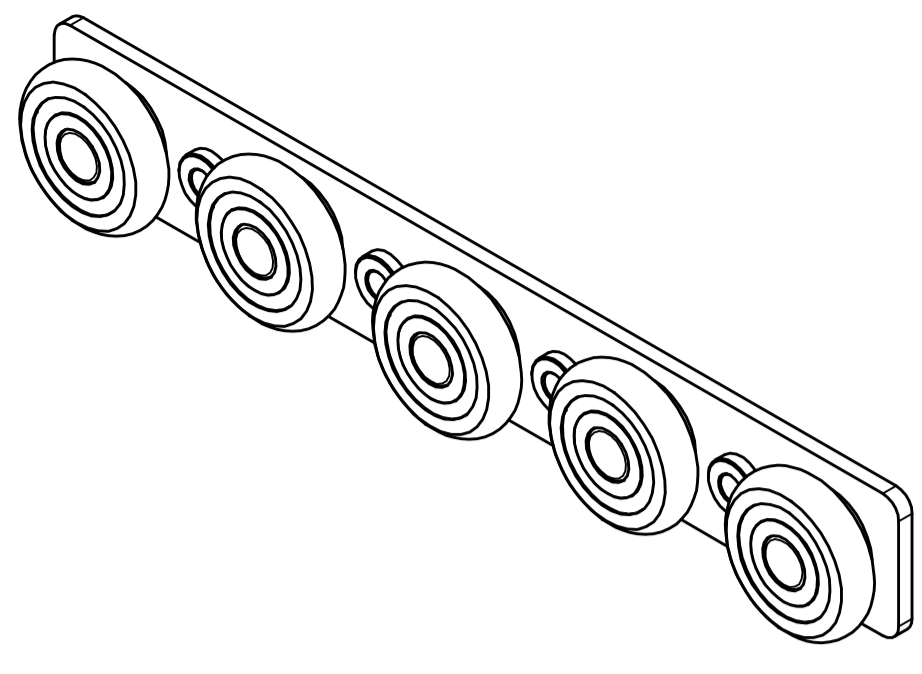
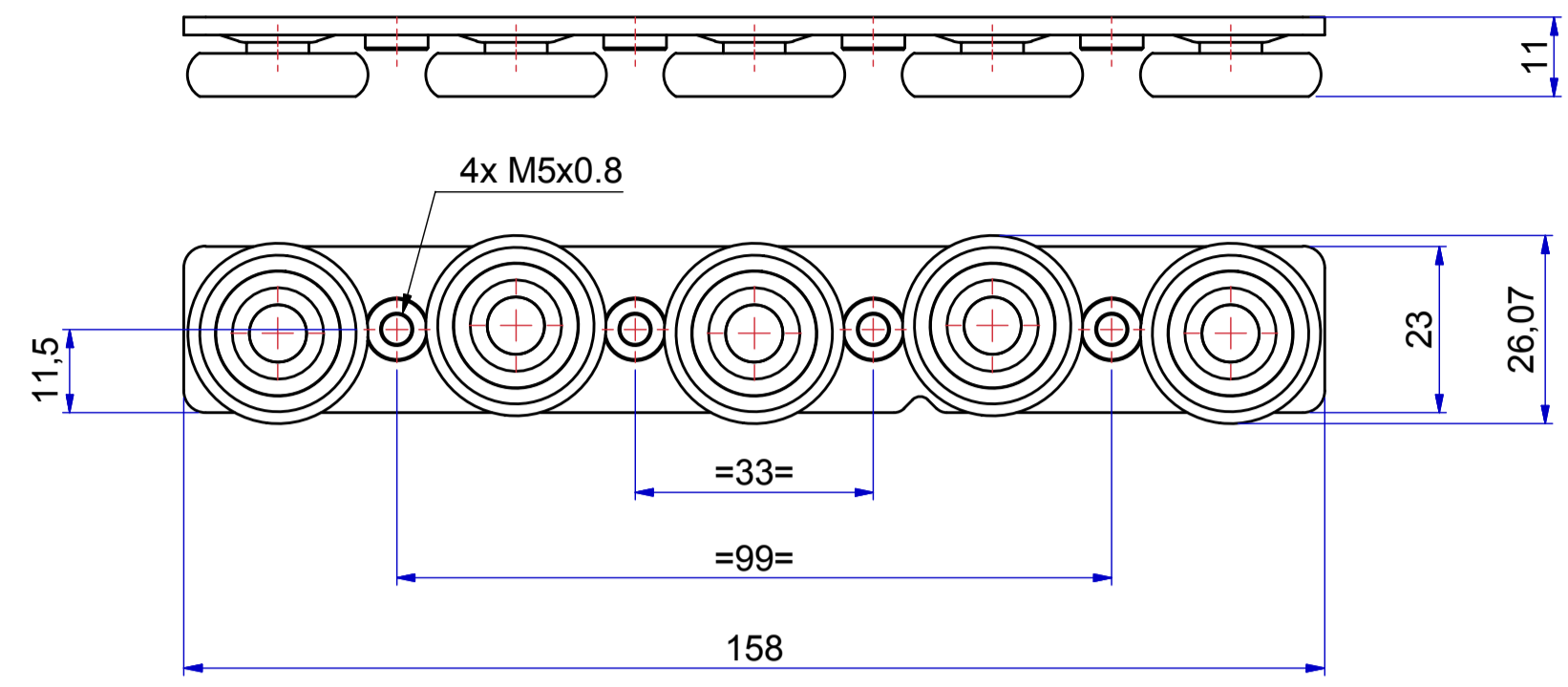
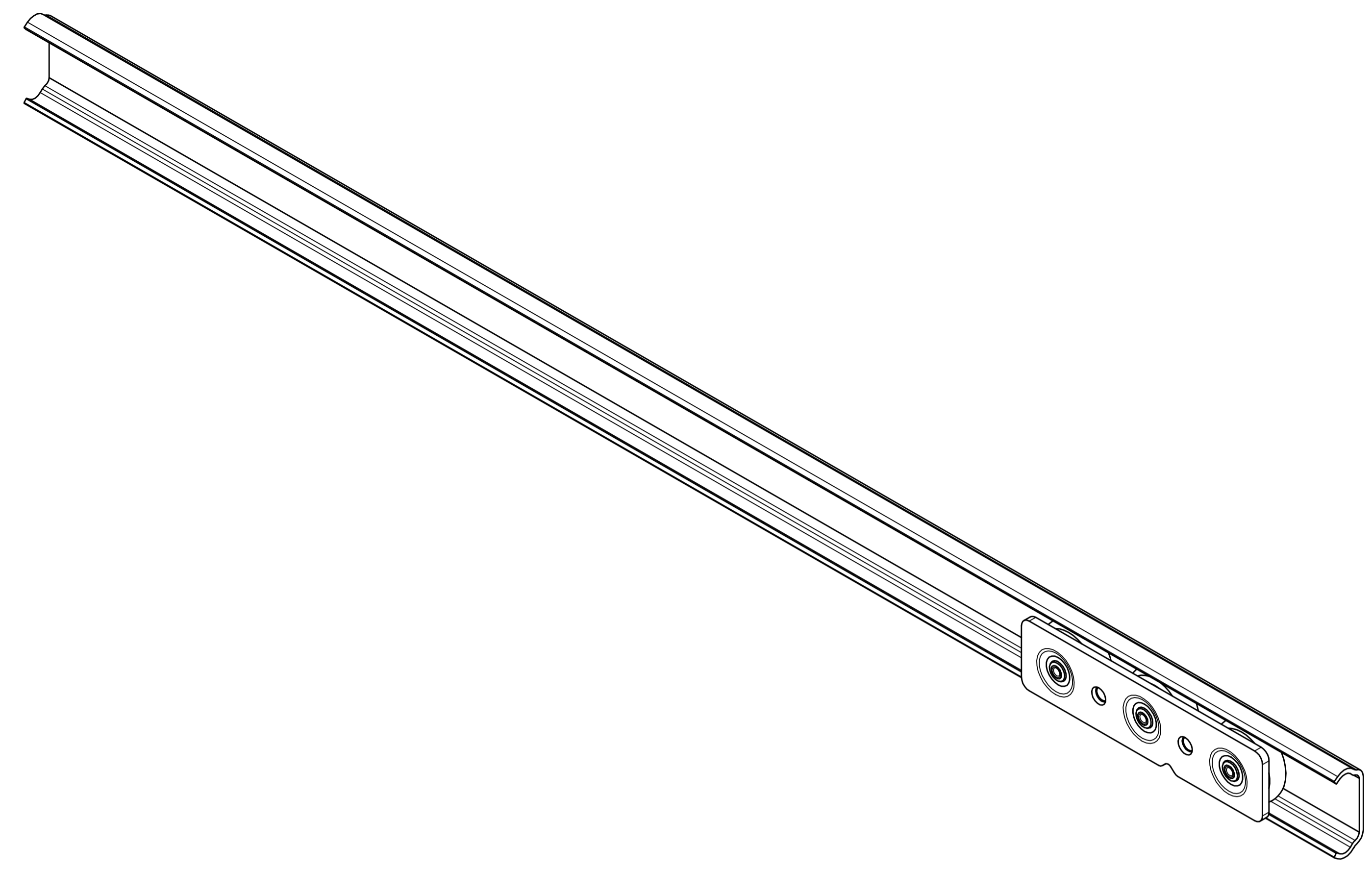
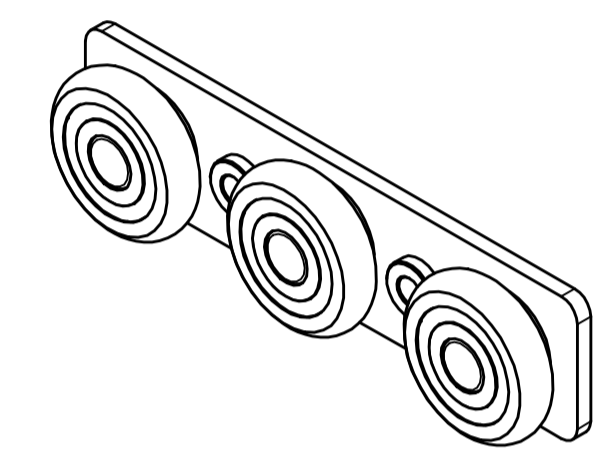
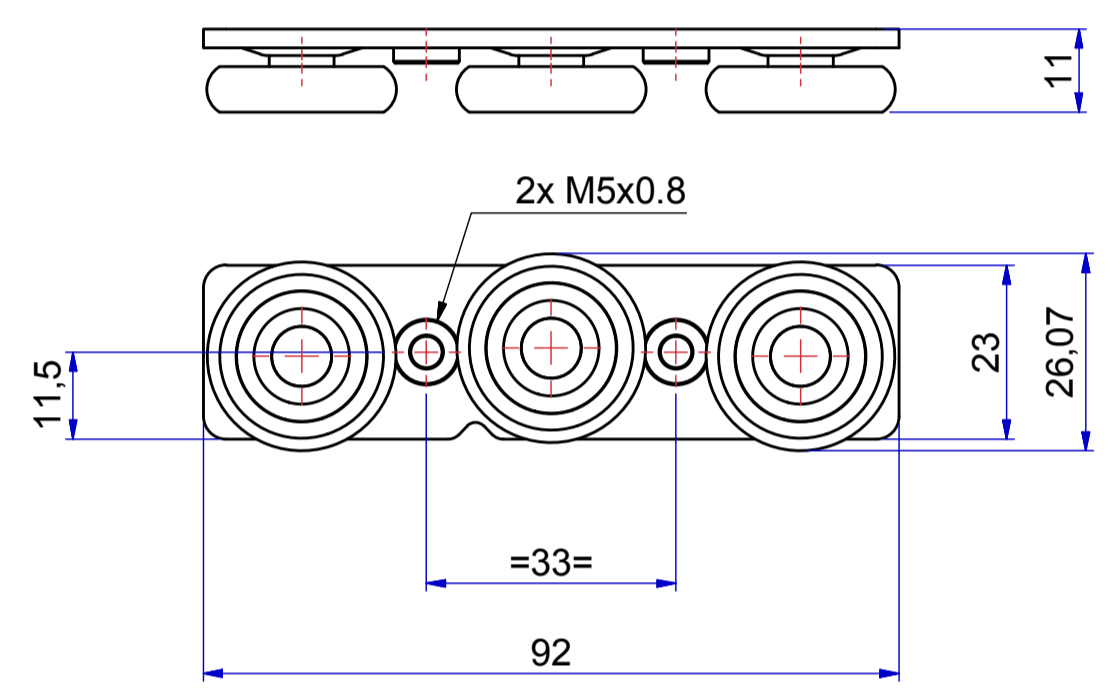


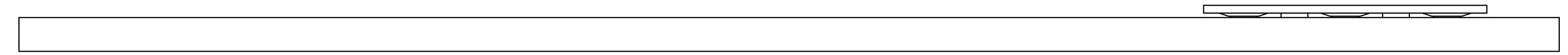
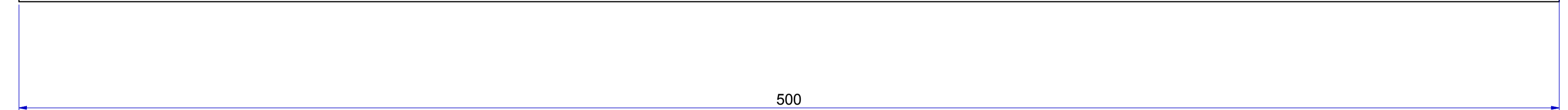
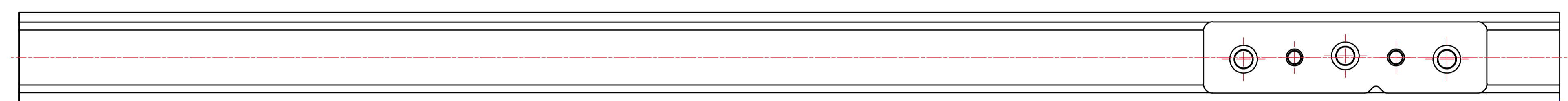
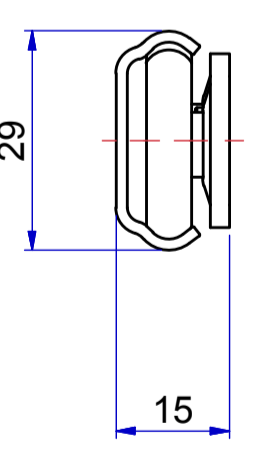
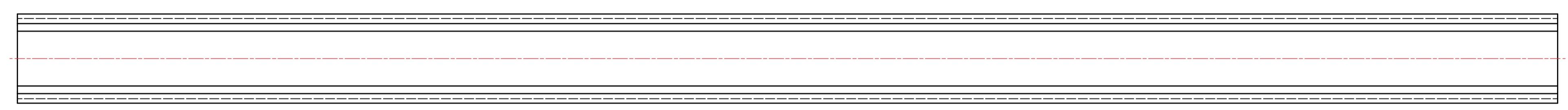
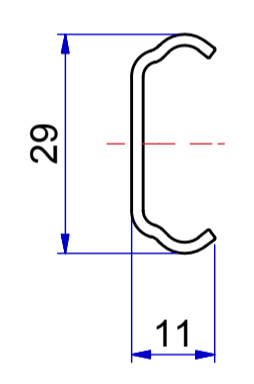
5 WHEEL CARRIER : 205S06



3 WHEEL CARRIER: 205S05



BOTH CARRIERS ARE SUITABLE FOR THIS PROFILE



OTHER DIMENSIONS NEEDED?
CUSTOM MADE SLIDES AVAILABLE UPON REQUEST.

Designer	W.J.	Gen.Tol.Dim.	±	Third angle projection	Material
Date	8-6-2015	Gen.Tol.Angle	±		Treatment
Approver		Gen.Roughness	Ra		Draw type
Date		Units	mm/deg.	Scale	1 : 1
Description				Type	Model No. E000031399
ASSY FLEXFIT1529				Released for Production	
Format	A1			Item No.	FLEXFIT 1529
© THOMAS REGOUT INTERNATIONAL B.V, Industrieweg 40, 6219 NR, Maastricht, The Netherlands, +31 (0)43 351 66 66				Revision	00
All rights are reserved.					