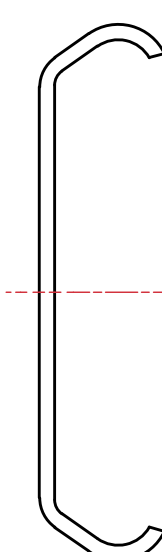
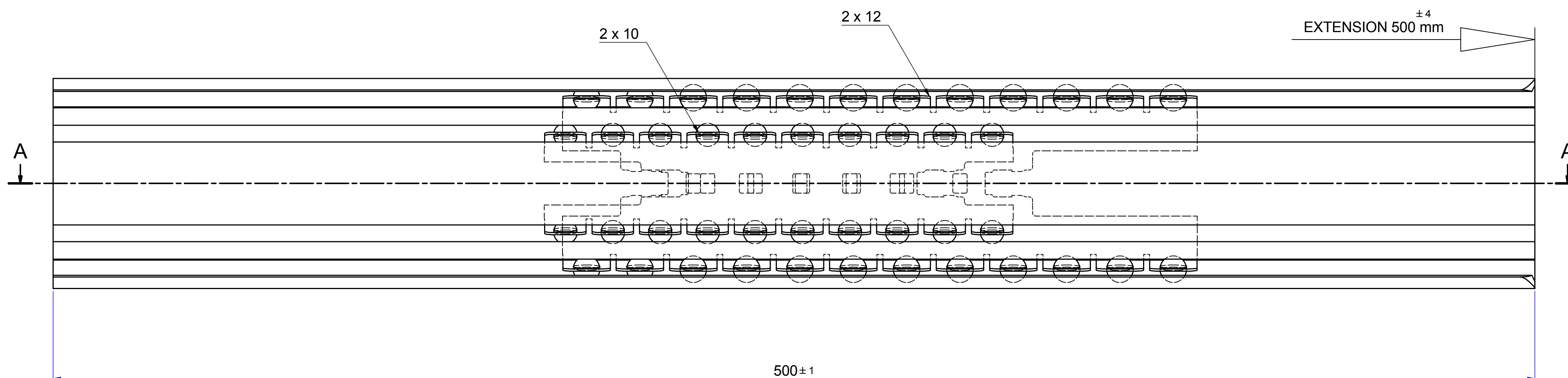
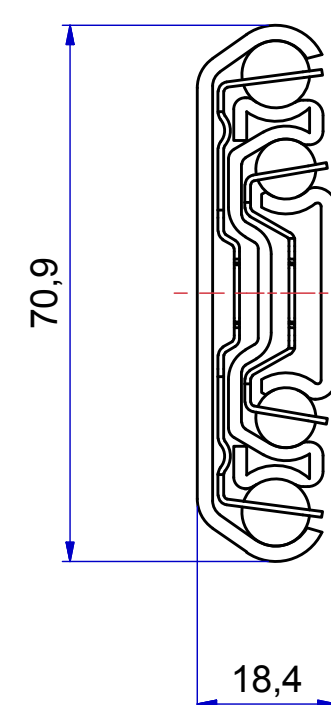
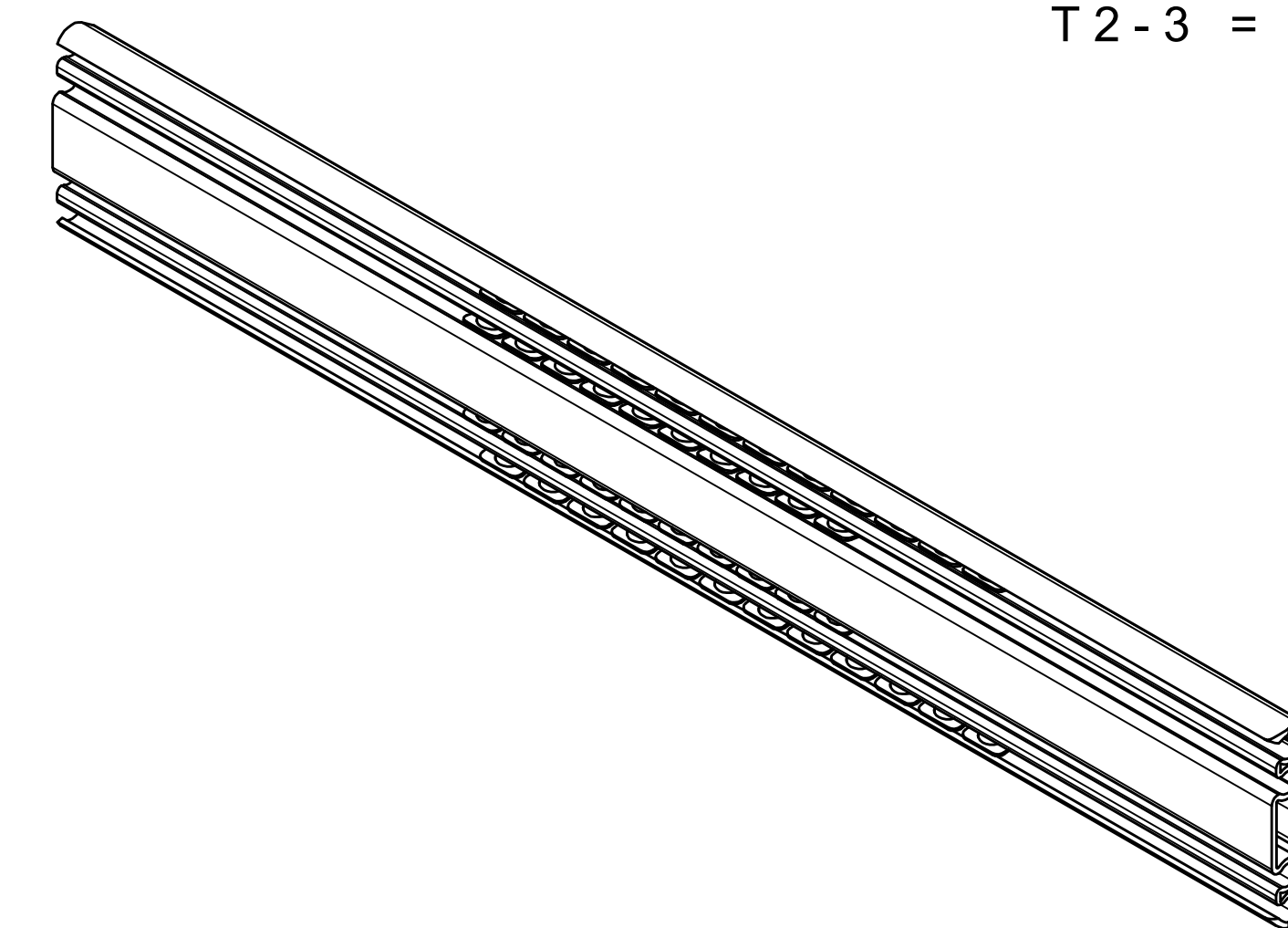
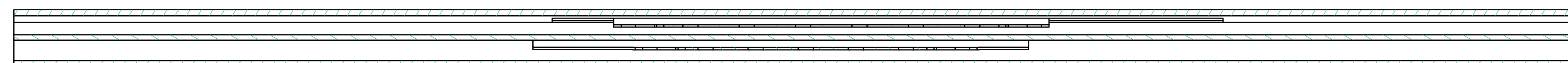
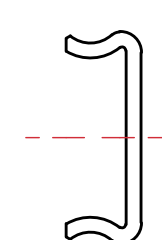
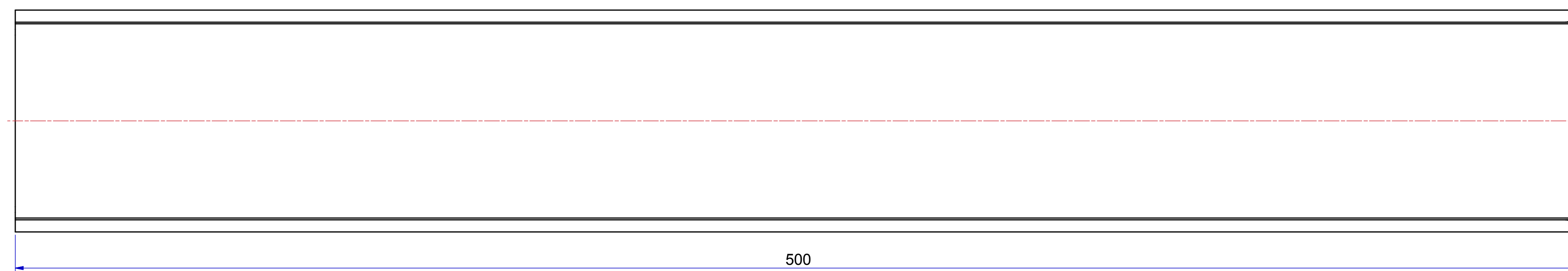


T 1 - 2 = 223,3 mm
T 2 - 3 = 276,7 mm

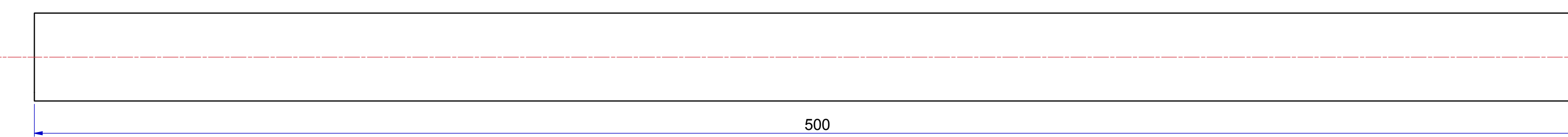
A-A (1:1)



TA1



TA3



**OTHER DIMENSIONS NEEDED?
CUSTOM MADE SLIDES AVAILABLE UPON REQUEST.**

Right hand slide = Left hand slide.
Dimensions between marks are guide dimensions.
Thomas Regout Int. B.V. reserves the right to alter non-customer specific specifications without notice.

Designer	W.Jans	Gen.Tol.Dim.	± 0,5	Third angle projection	Material
Date	26-6-2015	Gen.Tol.Angle	± 0,5		Treatment
Approver		Gen.Roughness	Ra		Draw type
Date		Units	mm/deg.	Scale	1 : 1
Description				Type	Model No. E000032436
TITAN 500.0 / 500.0 (18,4mm)				Released for Production	
Format	A1			Item No.	TITAN
© THOMAS REGOUT INTERNATIONAL BV, Industrieweg 40, 6219 NR, Maastricht, The Netherlands, +31 (0)43 351 66 66				Revision	00
All rights are reserved.					