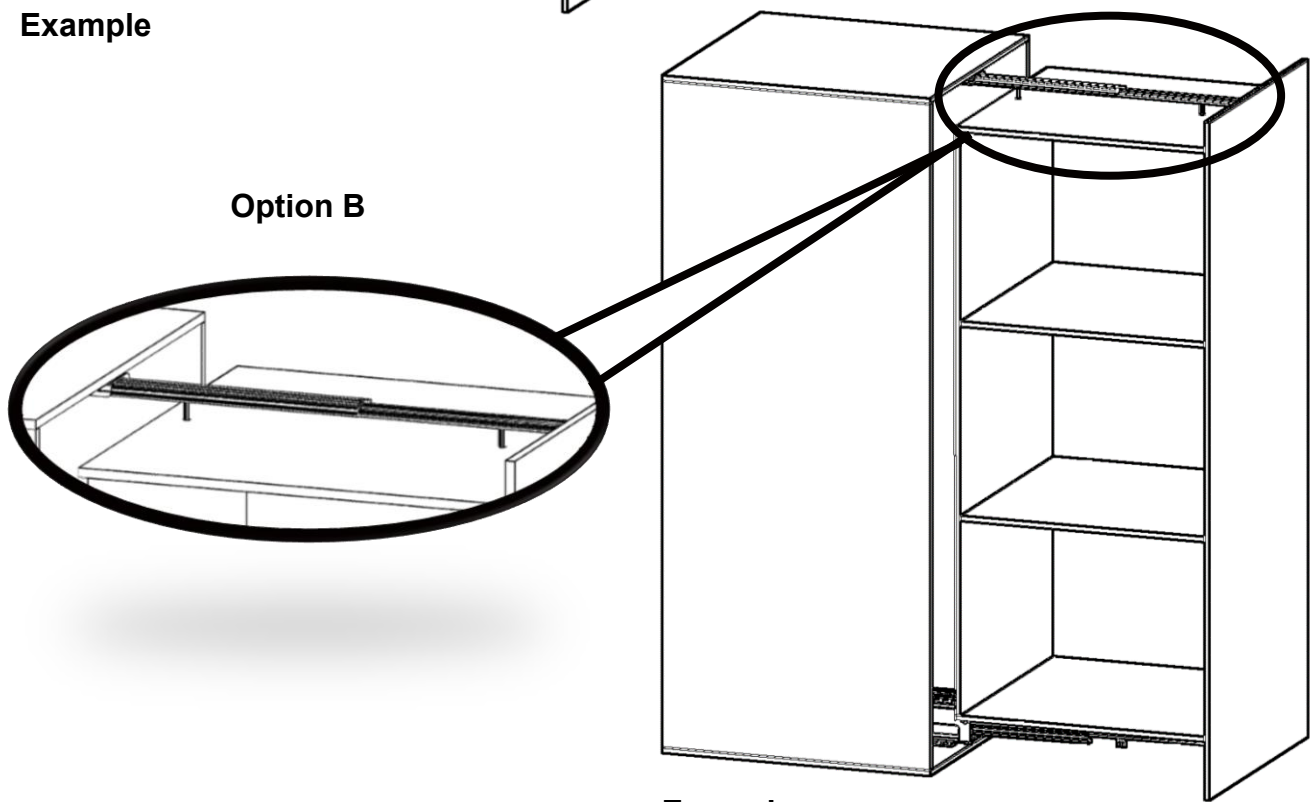


Example

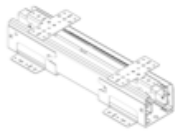



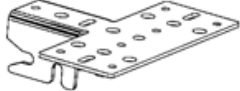




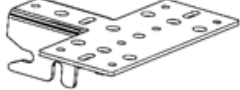













Option B

Example

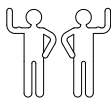




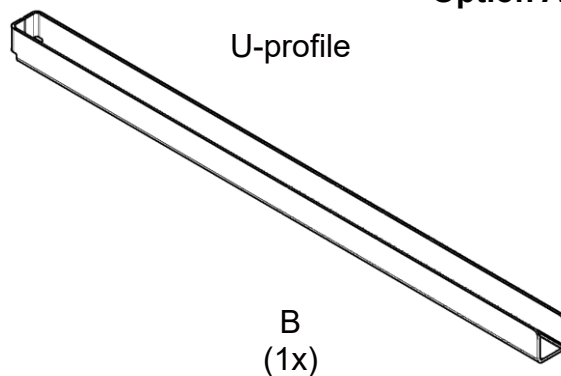
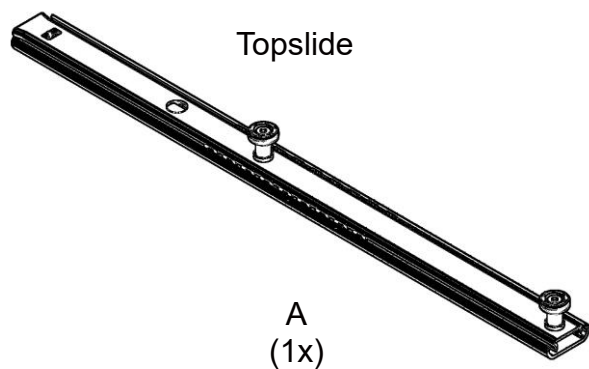
Profile length [mm]	Article number				Adapter (optional)
	Kit	Top slide option A + U-profile	Top slide option B		
425	150A67 	127A10 	1556441 	124B37 	1539954 
485	150A68 	127A08 	1556438 	124B34 	 
585	150A69 	127A08 	1556439 	124B35 	 
750	150A70 	127A09 	1556440 	124B36 	

INSTALLATION MANUAL

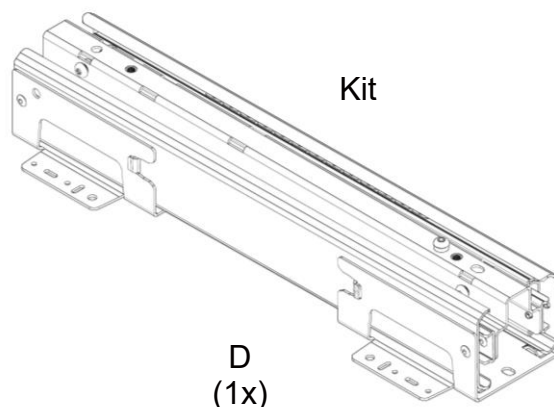
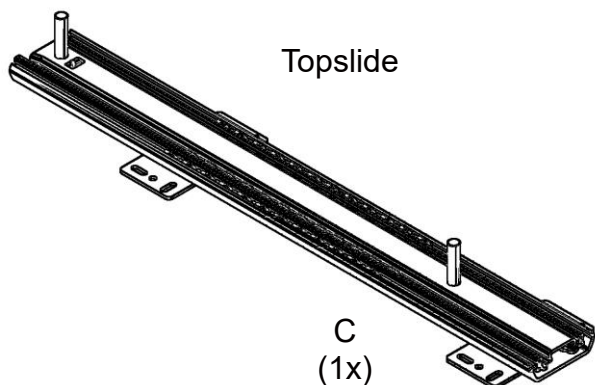
VERTICAL DRAWER / PHARMACY CABINET



Option A

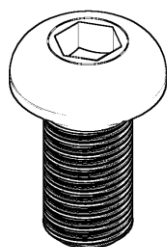


Option B

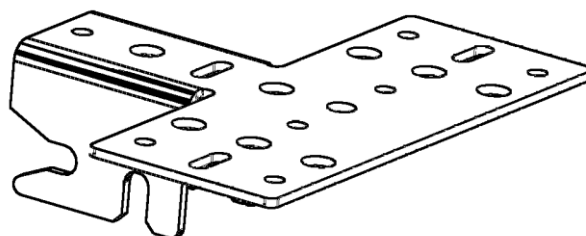


Contents of the box

Screw (M6x12)



Adapter

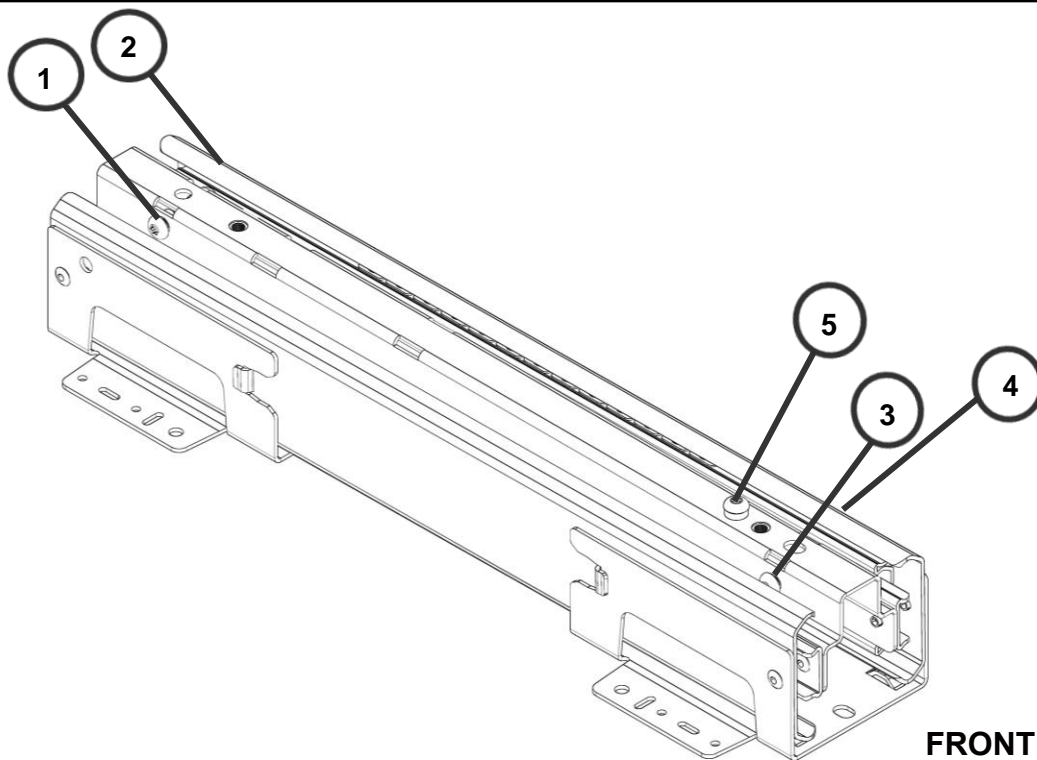


Additional

The information in this leaflet can be subject to changes.

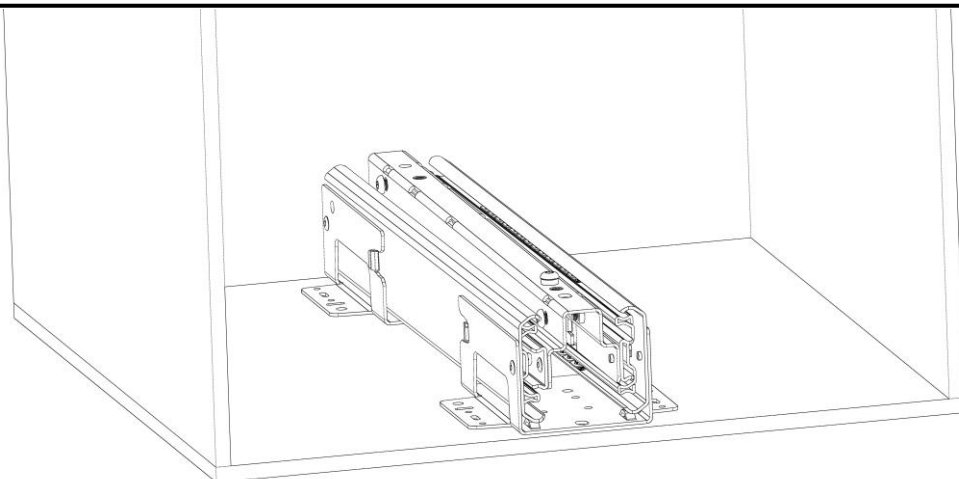


1



Install a screw (E) at position 1, 2, 3 and 4. (Note: Don't tighten them, leave approximately 3mm open.) Install one screw (E) on top of the profile at position 5. Tighten this one.

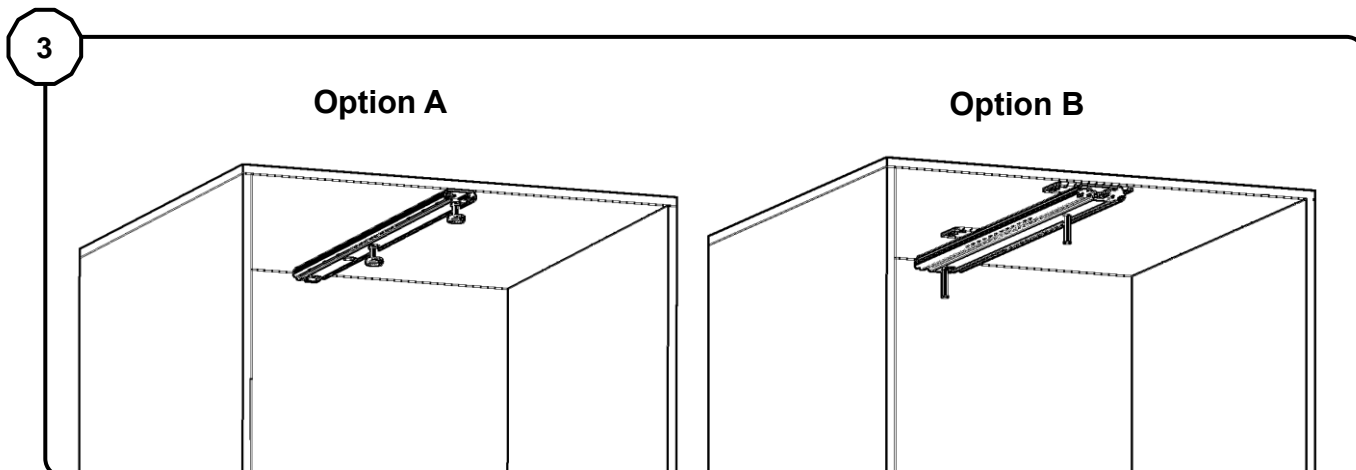
2



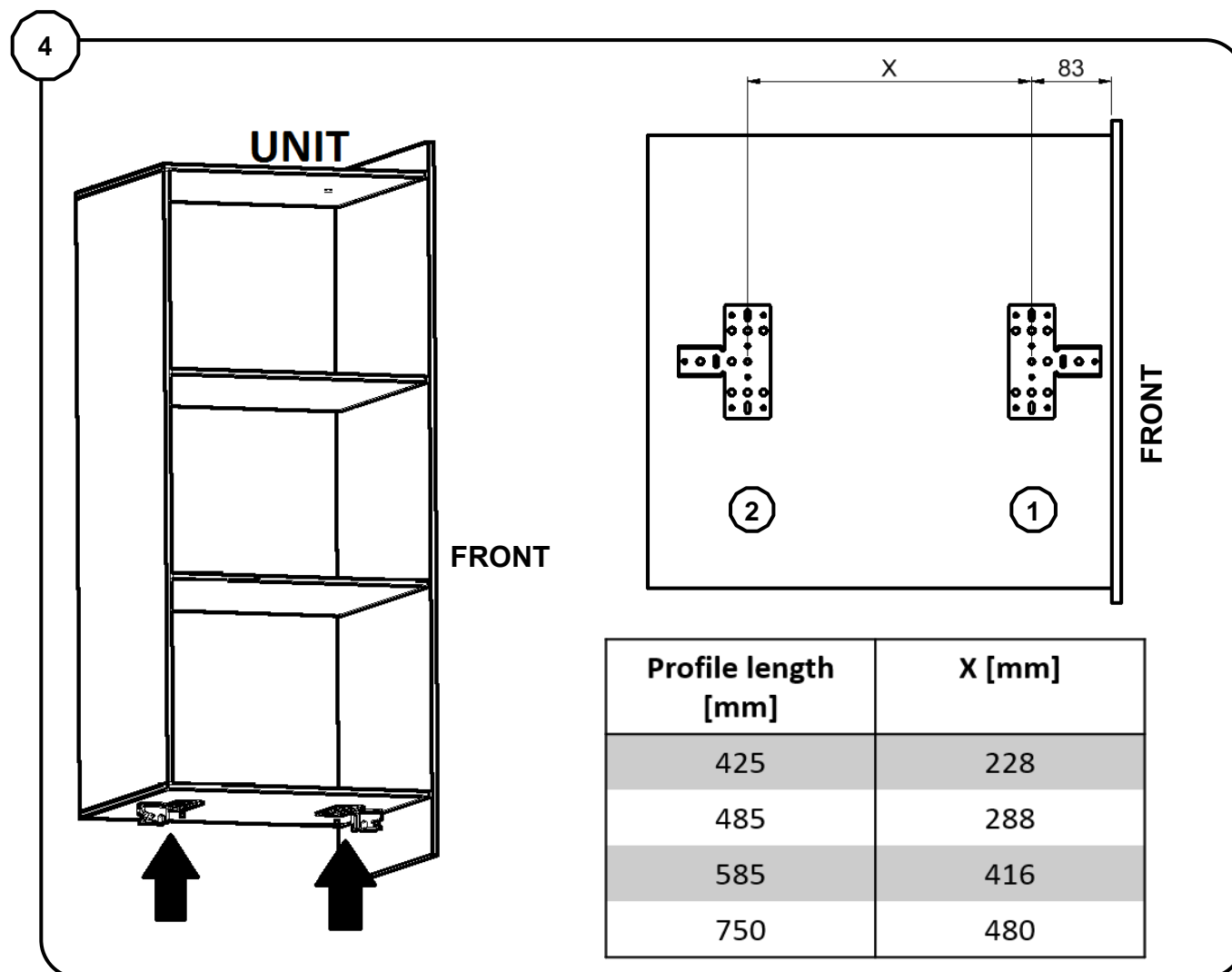
Install the kit (D) at the bottom of the cabinet. It needs to be centered and the front needs to be aligned with the front of the cabinet.

INSTALLATION MANUAL

VERTICAL DRAWER / PHARMACY CABINET



Install the top slide (A/C) at the top of the cabinet. It needs to be centered and the front needs to be aligned with the front of the cabinet.

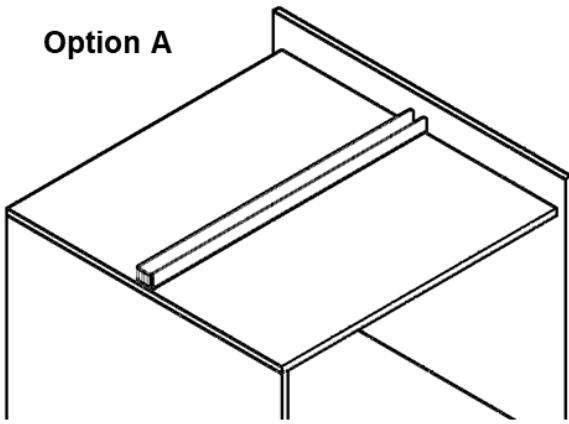


Install the two adapters (F) on the bottom of the unit. The adapters need to be centered and the first needs to be positioned 83mm from the back of the front and the second 83+X mm. Drill one hole with a diameter of 6mm on the bottom of the unit. It needs to be centered and positioned 83mm from the back of the front.

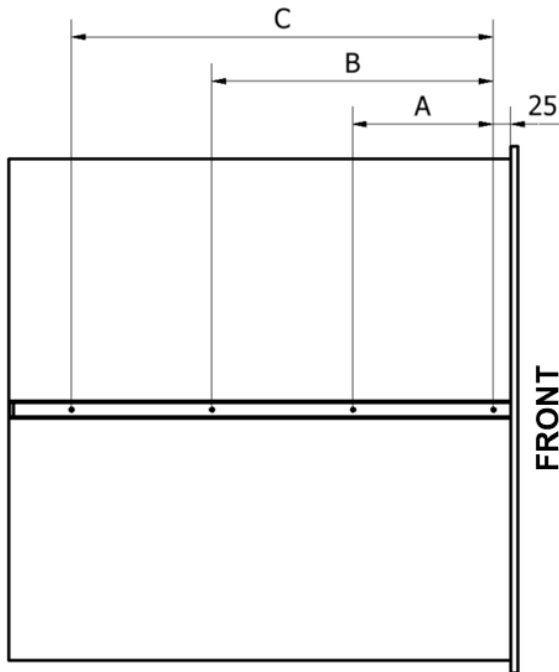
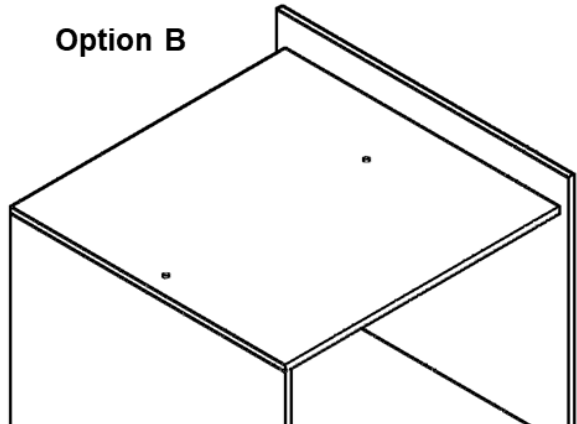


5

Option A

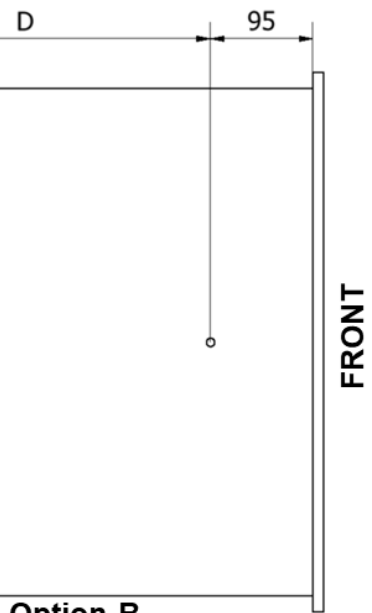


Option B



Option A

Profile length [mm]	A [mm]	B [mm]	C [mm]
425	160	320	-
485	190	380	-
585	240	480	-
750	200	400	600



Option B

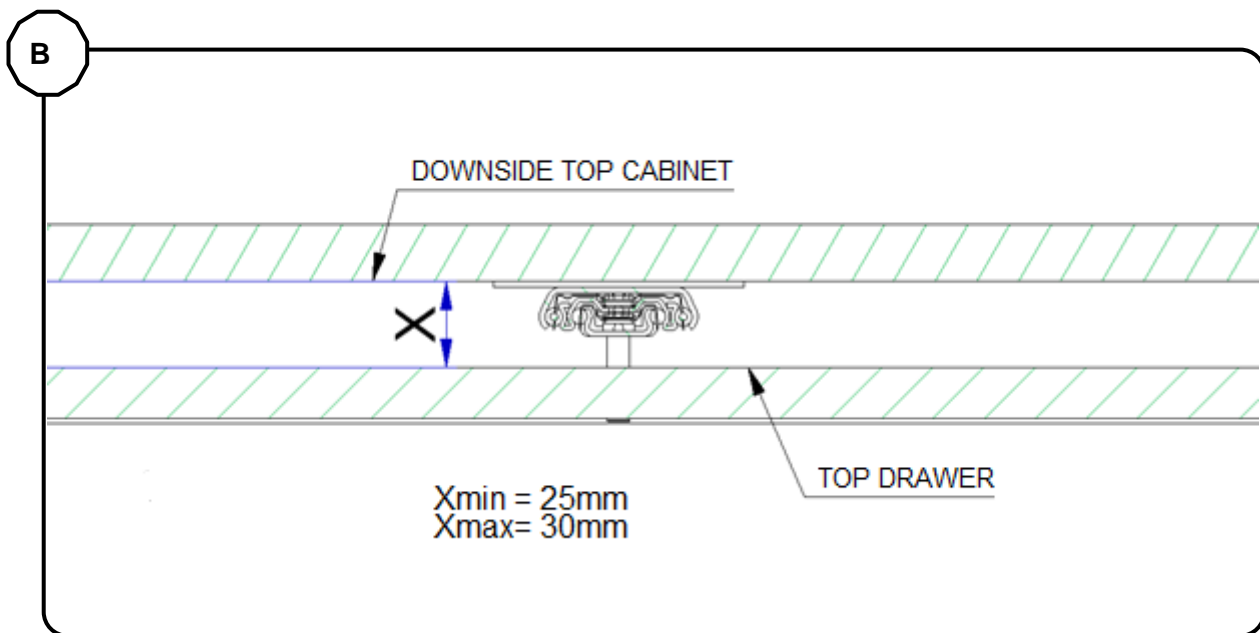
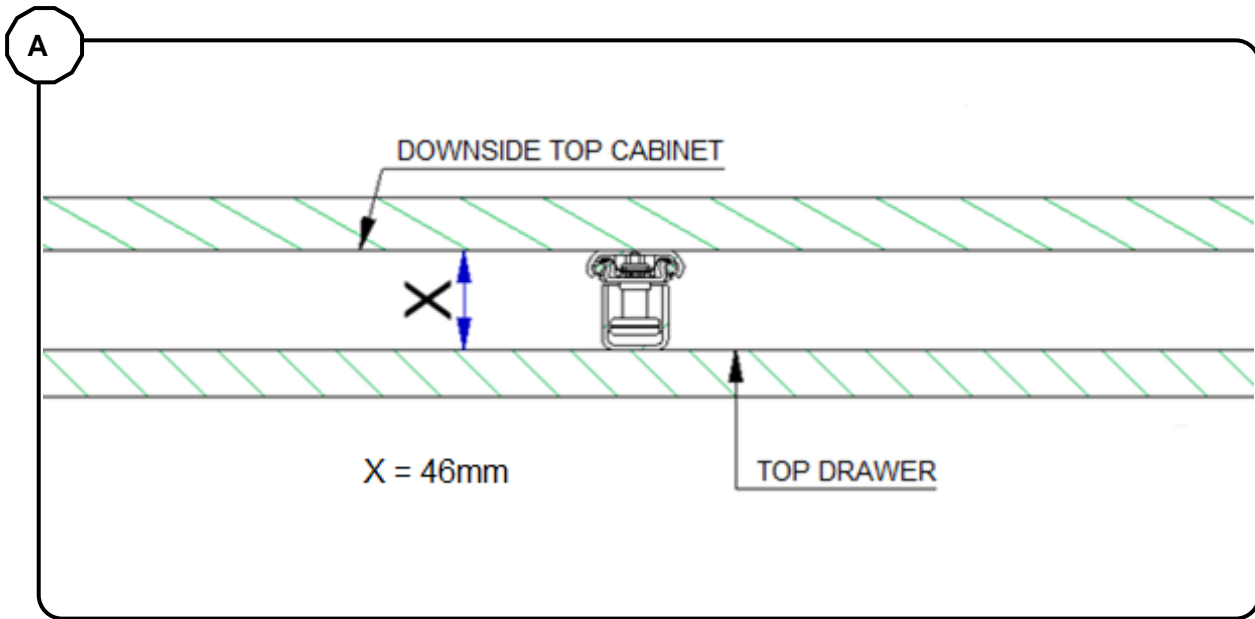
Profile length [mm]	D [mm]
425	288
485	343
585	443
750	606

Install the U-profile (B). The U-profile needs to be centered.

Drill two holes with a diameter of 10mm on the top of the unit.

INSTALLATION MANUAL

VERTICAL DRAWER / PHARMACY CABINET

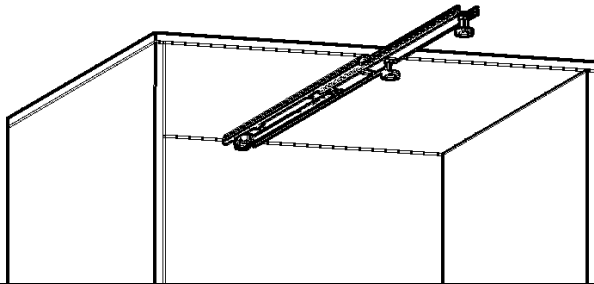


Make sure the distance between the downside of the top of the cabinet and the top of the drawer doesn't extend the limits in the pictures above.
The thickness of the drawer material is 18mm.

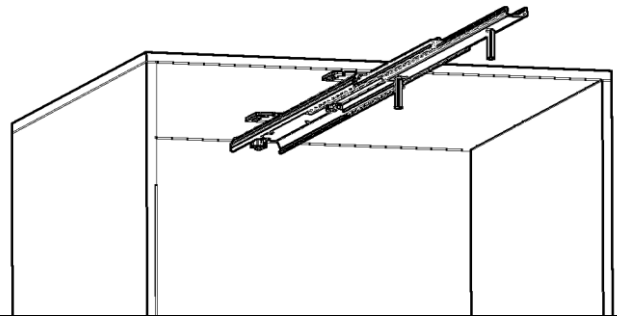


6

Option A



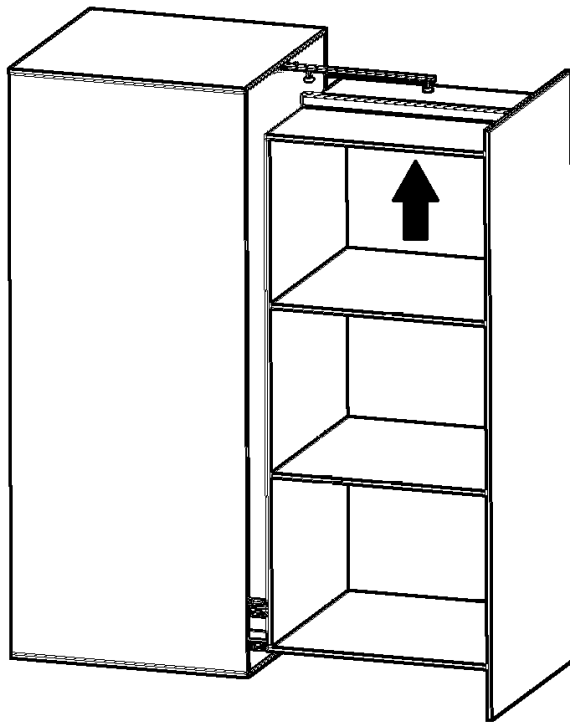
Option B



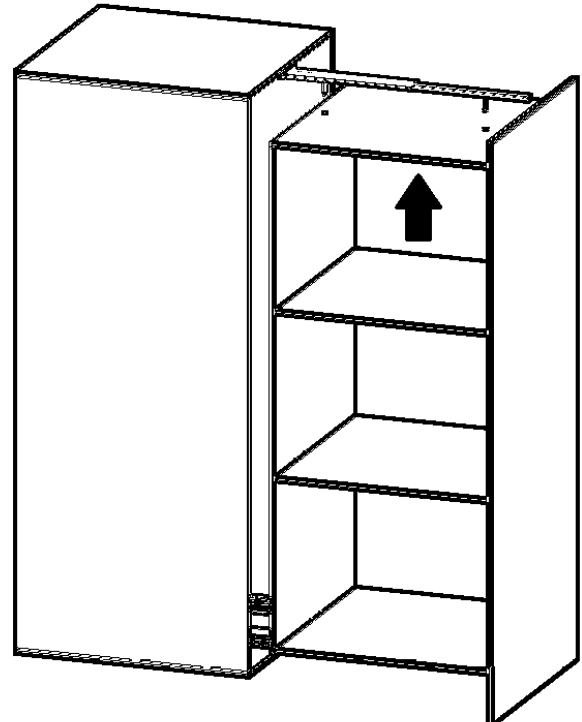
Fully extend the top slide and let the kit at the bottom in a closed position.

7

Option A



Option B



Lift the unit and place the U-profile over the rolls.

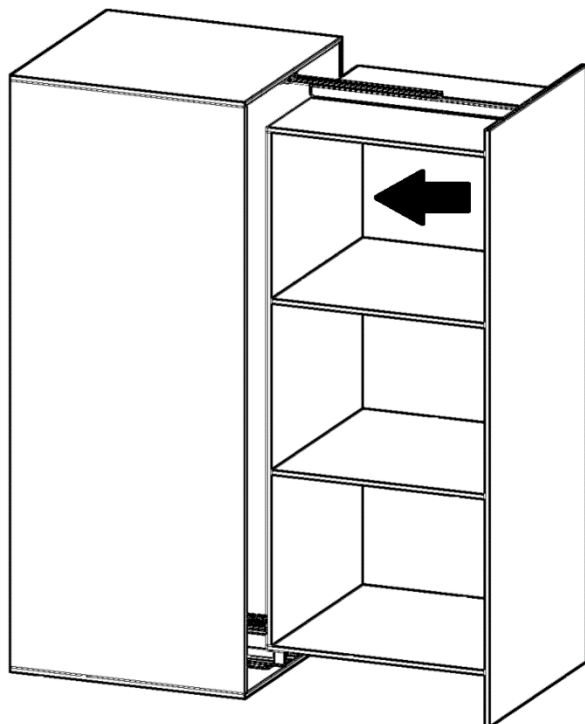
Lift the unit and place the holes over the pins.

INSTALLATION MANUAL

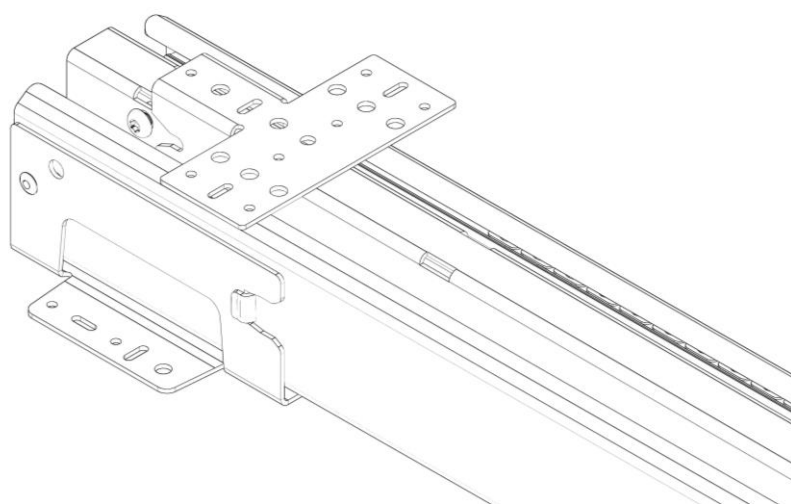
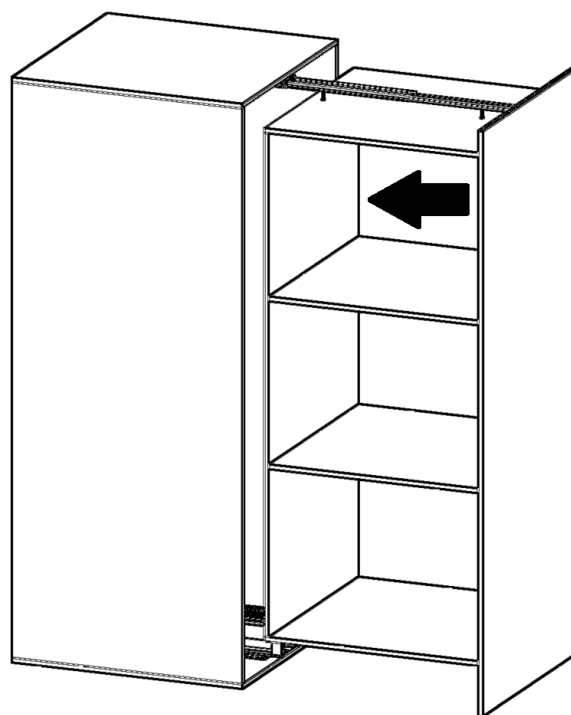
VERTICAL DRAWER / PHARMACY CABINET

8

Option A



Option B



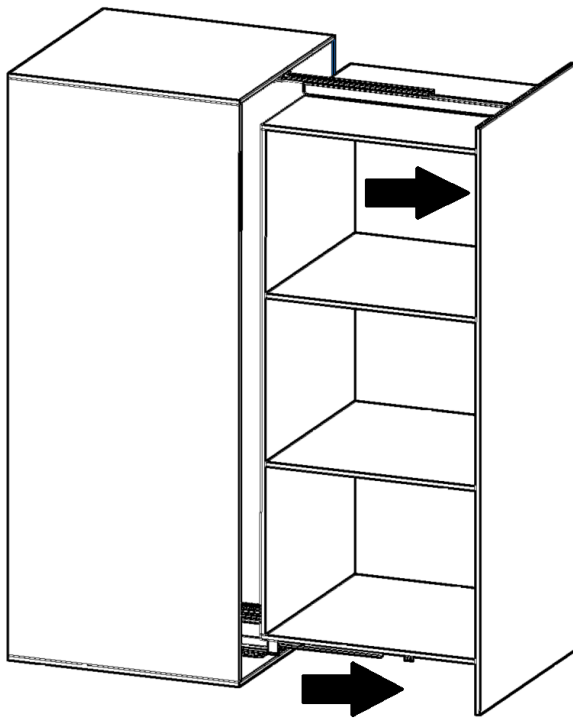
By closing the unit the adapters will slide over the screws in the bottom slide.

The information in this leaflet can be subject to changes.

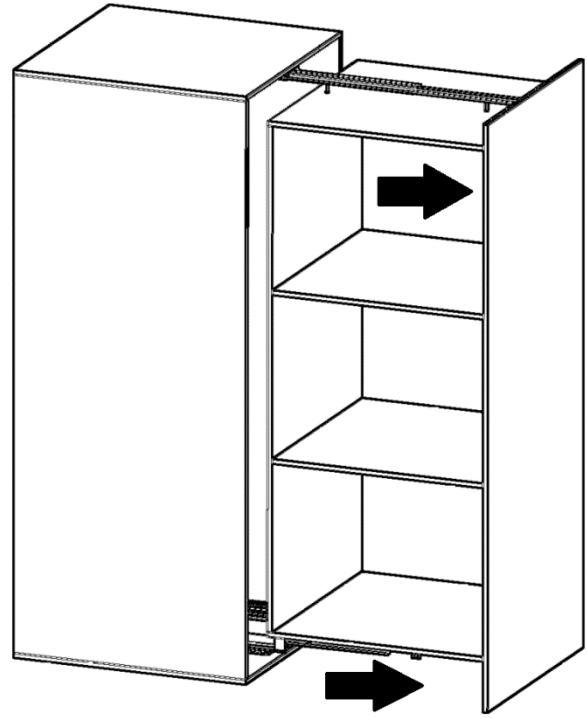


9

Option A



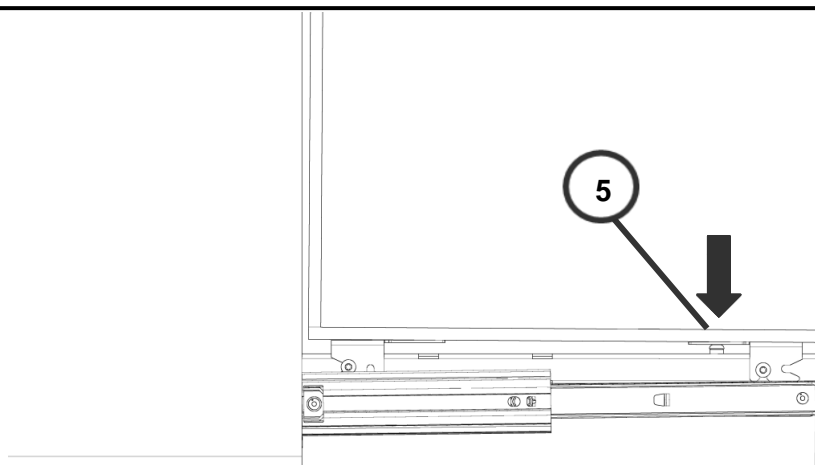
Option B



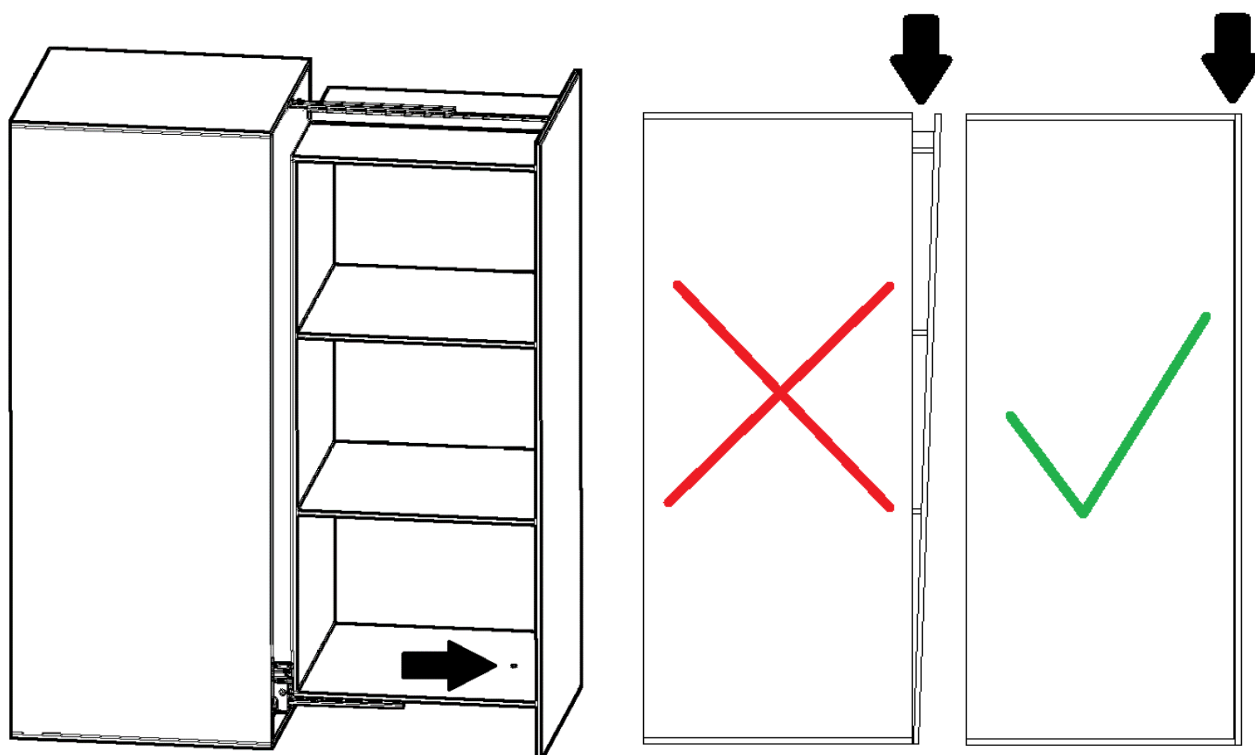
Open the unit slowly and this way the kit will open as well. Make sure the kit is in the most extended position.

INSTALLATION MANUAL VERTICAL DRAWER / PHARMACY CABINET

10



Side view



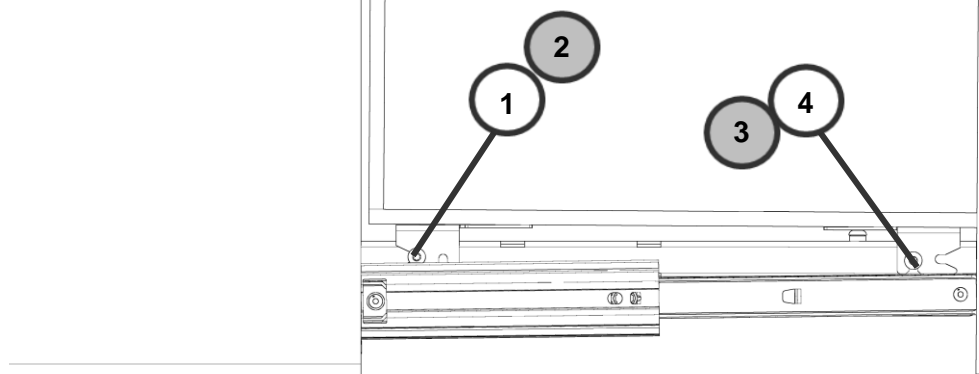
The height of the front panel can be adjusted by turning the screw at position 5. (By turning the screw counter-clockwise the front will raise./ By turning the screw clockwise the front will lower.) The screw can be attained at the bottom of the unit. Adjust it until the front panel closes correctly.

The information in this leaflet can be subject to changes.

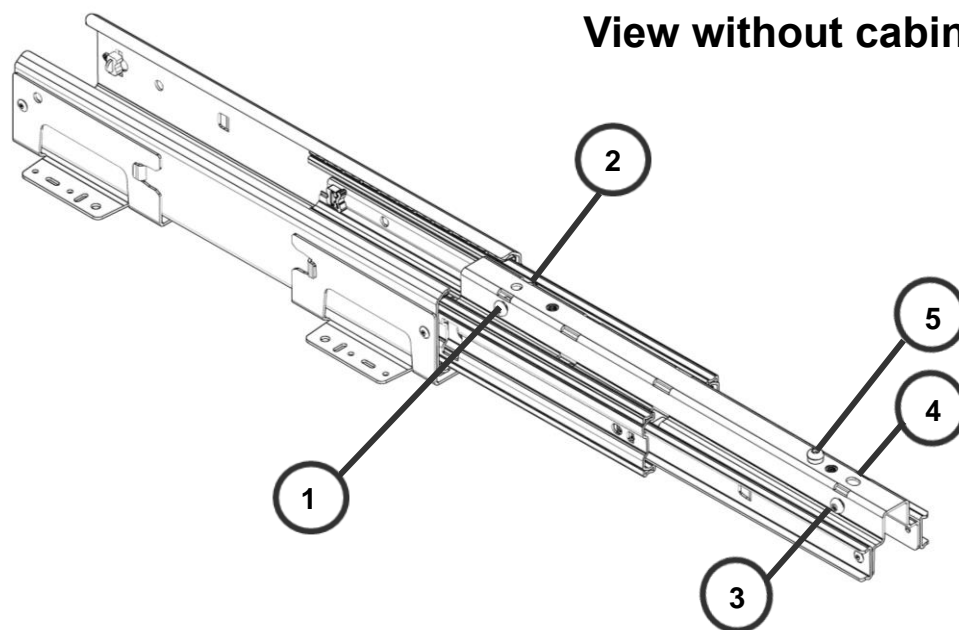


11

Side view



View without cabinet



After the front panel is aligned correctly, the unit can be opened one more time (carefully). Tighten the screws at position 1, 2, 3, 4 and 5 (to a maximum of 12 Nm).

INSTALLATION MANUAL VERTICAL DRAWER / PHARMACY CABINET

Profile length [mm]	Art. number	P [kg]
425	150A67	120
485	150A68	120
585	150A69	120
750	150A70	120

P = maximum evenly divided load

The information in this leaflet can be subject to changes.