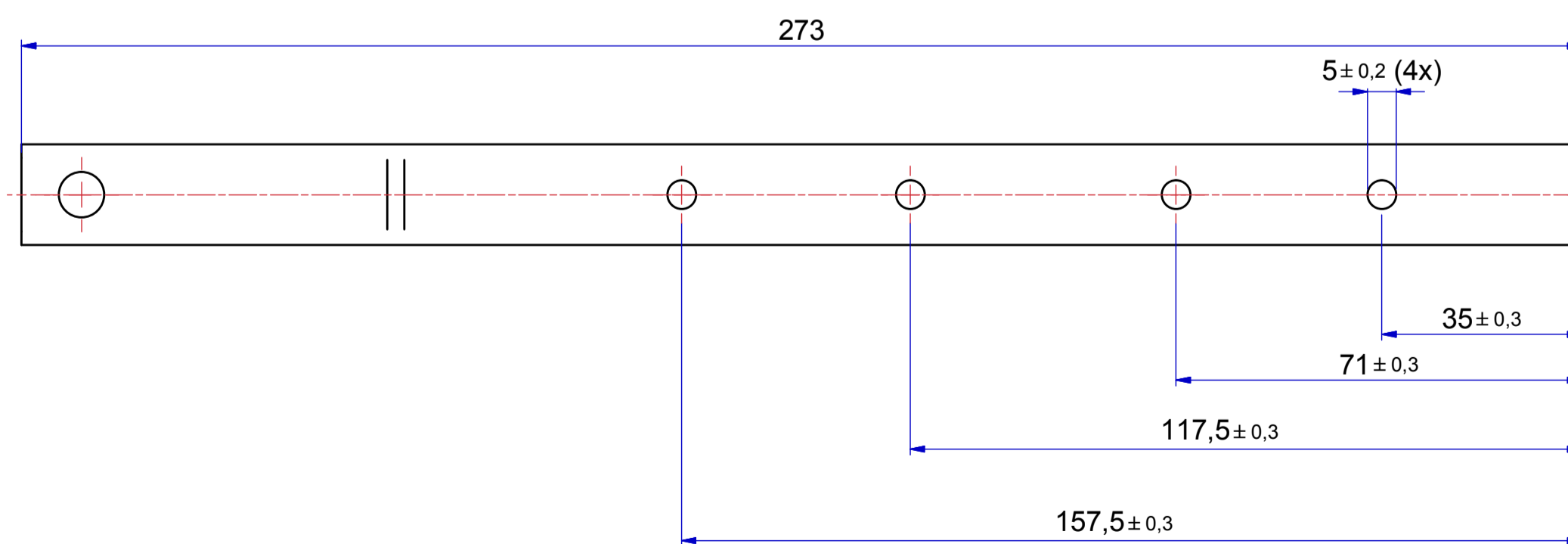
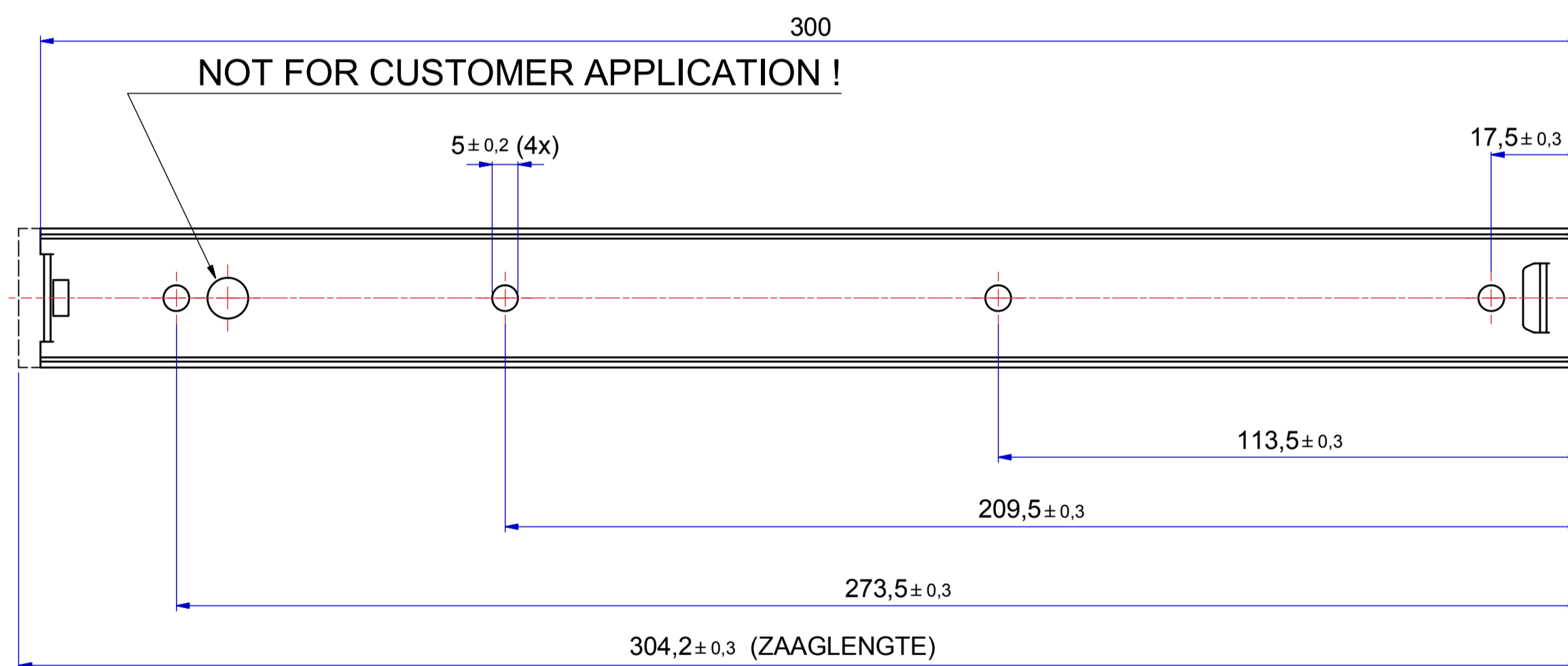
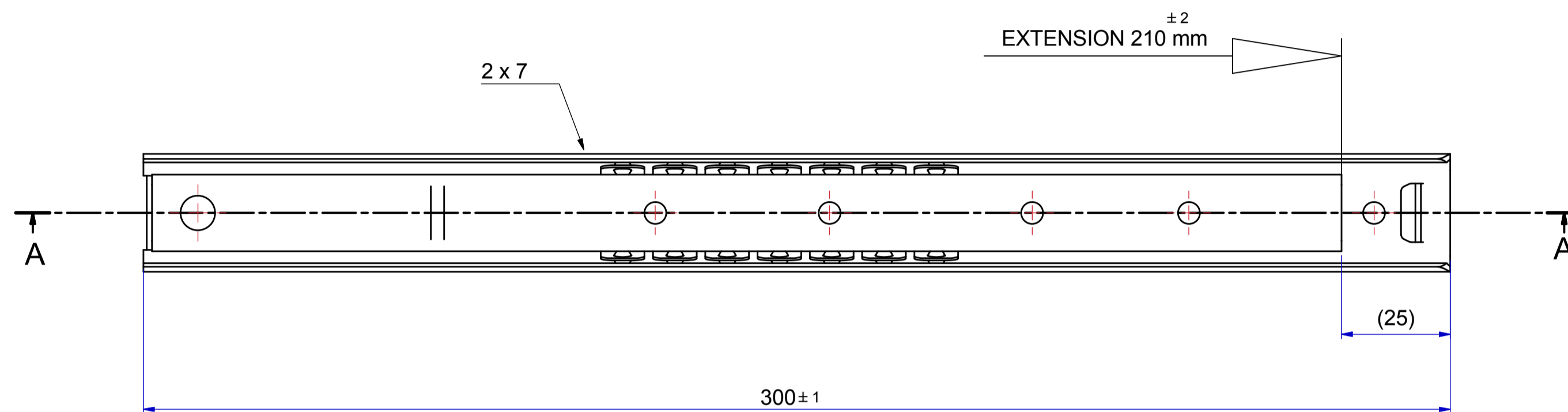
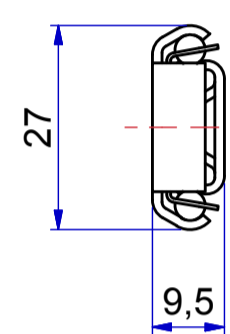
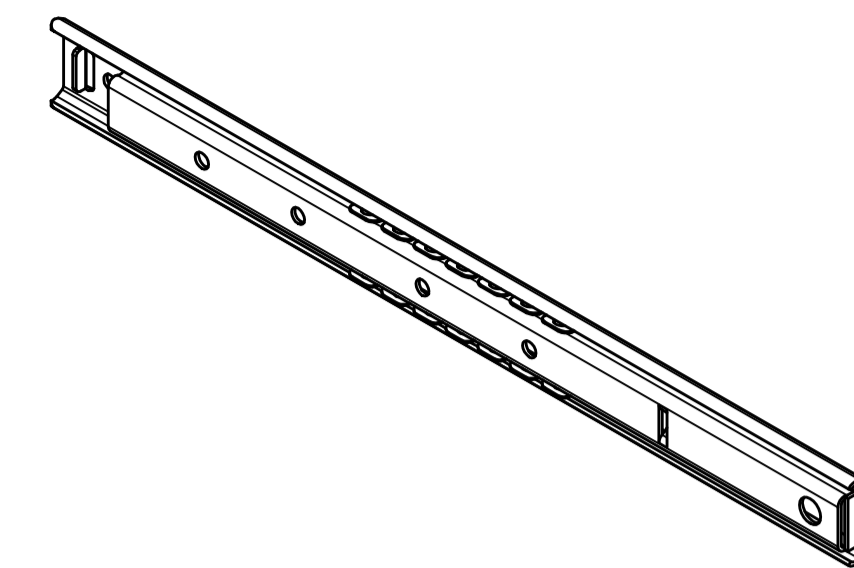
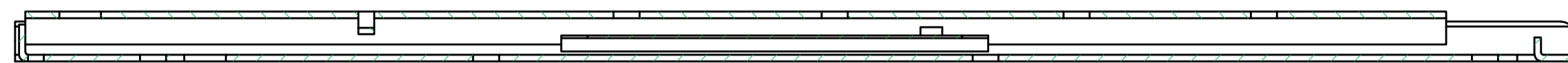


T 1 - 2 = 210,0 mm

A-A (1:1)



511-09-42-EMS1

513-09-42-EMS2

Right hand slide = Left hand slide.
 Dimensions between marks are guide dimensions.
 Thomas Regout Int. B.V. reserves the right to alter non-customer specific specifications without notice.

Released for Production

02	05-06-15	GETEKEND IN INVENTOR	W.Jans
02	30-01-97	ZAAGLENGTE EMS 1 305.7 -> 304.2	AN
01	21-08-90	SENZIMIR LOOPWERK WORDT GALVANISCH VERZINKT LOOPWERK	RH
Rev	Date	Description	Designer
Designer	J.Schreurs	Gen.Tol.Dim. $\pm 0,5$	Material
Date	10-4-1984	Gen.Tol.Angle $\pm 0,5$	Treatment
Approver		Gen.Roughness Ra	Draw type Fabrication
Date		Units mm/deg.	Scale 1 : 1
Description		Released for Production	
EMS STANDAARD 300.0 / 210.0 (9,5mm)		Item No.	Revision
Format	A1	THOMAS REGOUT INTERNATIONAL B.V.	109-042 02
© THOMAS REGOUT INTERNATIONAL BV, Industrieweg 40, 6219 NR, Maastricht, The Netherlands, +31 (0)43 351 66 66 All rights are reserved.			