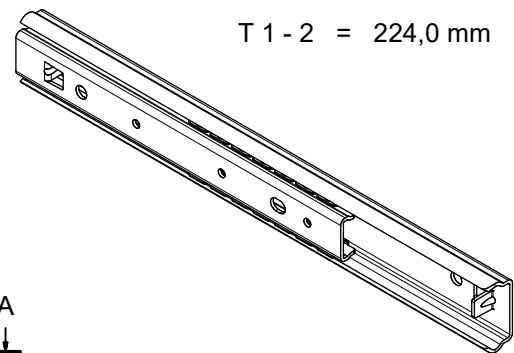
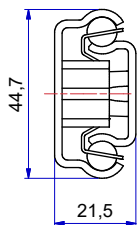


A-A

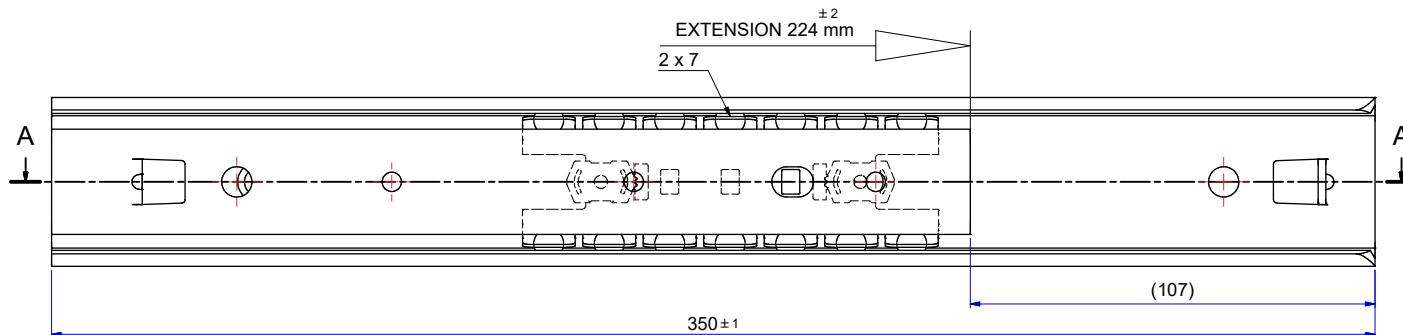


T 1 - 2 = 224,0 mm



44,7

21,5



EXTENSION 224 mm
±2

2 x 7

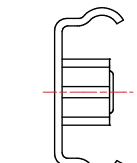
350±1

(107)

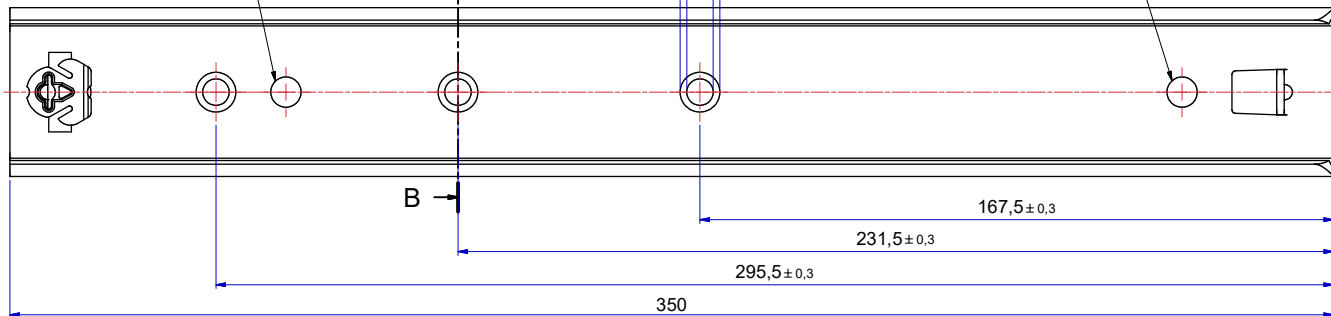
NOT FOR CUSTOMER APPLICATION!

NOT FOR CUSTOMER APPLICATION!

FRONT



511-05-A42-ADO1



Ø10,5^{+0,5}/₀ (3x)

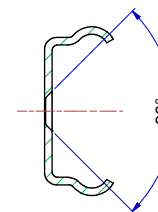
Ø7±0,2 (3x)

350

295,5±0,3

231,5±0,3

167,5±0,3



B-B

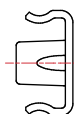
90°

Right hand slide = Left hand slide.

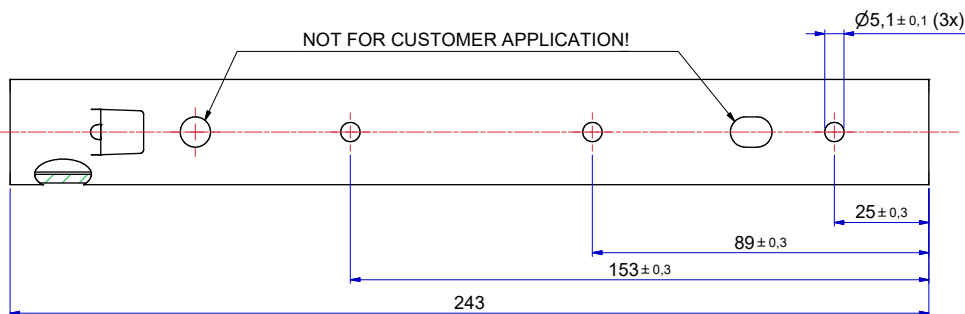
Dimensions between marks are guide dimensions.

Thomas Regout Int. B.V. reserves the right to alter non-customer specific specifications without notice.

Released for Production



513-05-A42-TB3



Ø5,1±0,1 (3x)

243

153±0,3

89±0,3

25±0,3

Rev	Date	Description	Designer
03	28-7-2023	513-05-042-TB3; SLEUFGAT TOEGEVOEGD VLGS. AGR 231345; GEMAAKT IN INVENTOR	R.G
03	10-02-2008	Gat 8mm op 40mm voorkant toegevoegd	M.Lamkin
02	05-06-2007	Ankersluitrubber toegepast ivm met automatische montage (geen sluiting)	M.Bulté
01	13-12-2005	Tekening in ProE gezet + ophanggat AK 1-profiel vervalt	M.Bulté

Designer L. Hermans	Gen.Tol.Dim. ± 0,5	Third angle projection	Material	
Date 24-8-1993	Gen.Tol.Angle ± 0,5		Treatment	
Approver	Gen.Roughness Ra		Draw type Fabrication	Doc.No. E000150408
Date	Units mm/deg.		Scale 1 : 1	Type
Description				
ADO 350.0 / 224.0 (21,5mm)				
Format A2			Item No. 105-042	Revision 03
© THOMAS REGOUT INTERNATIONAL BV, Industrieweg 40, 6219 NR, Maastricht, The Netherlands, +31 (0)43 351 66 66 All rights are reserved.				