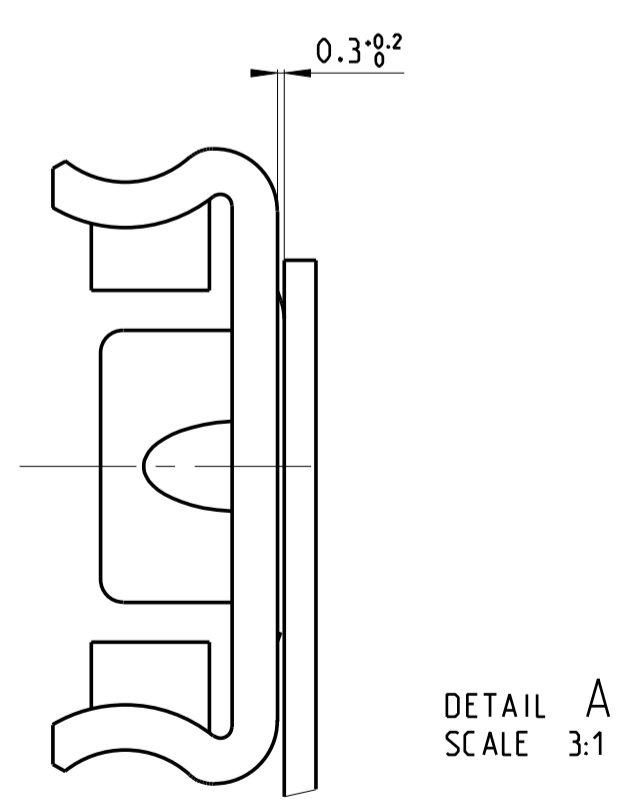
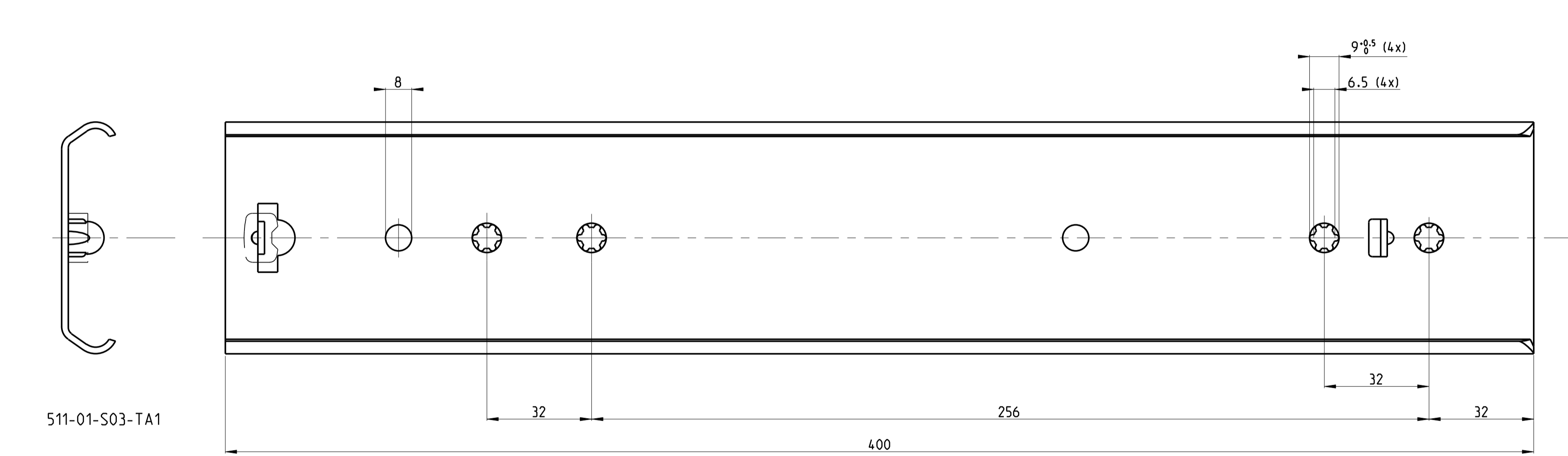
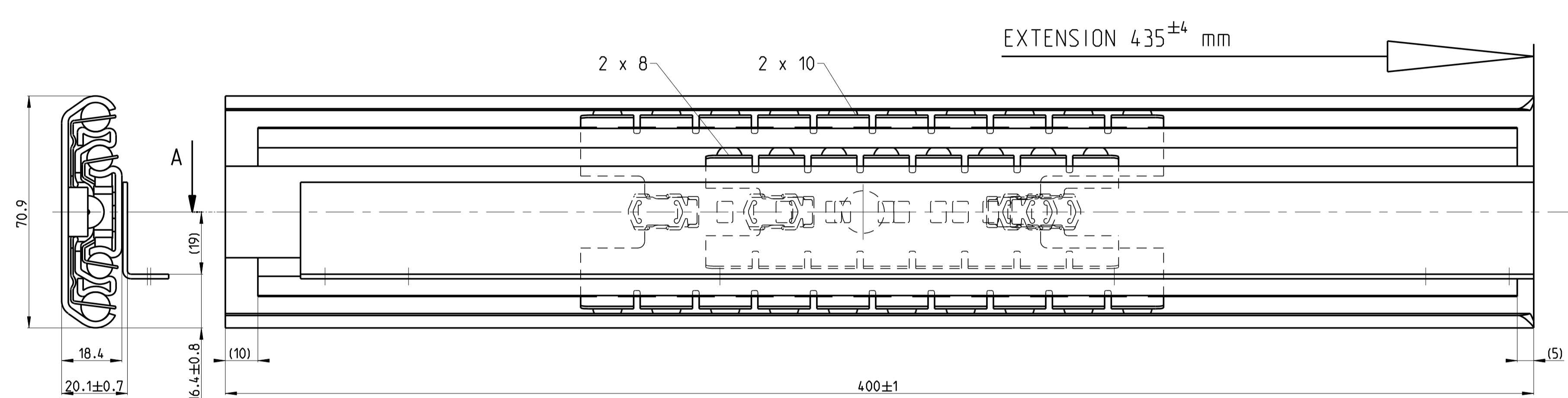
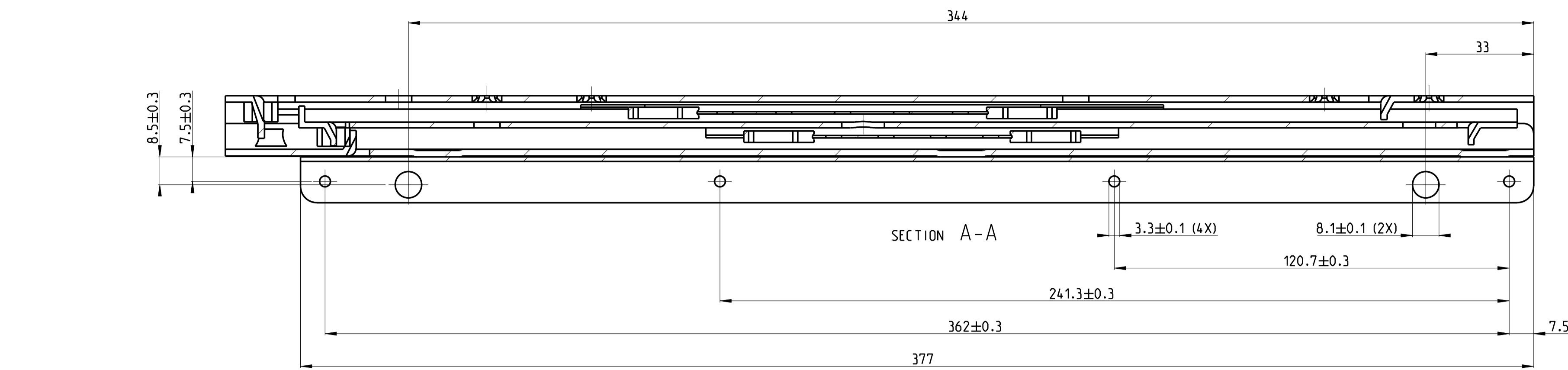
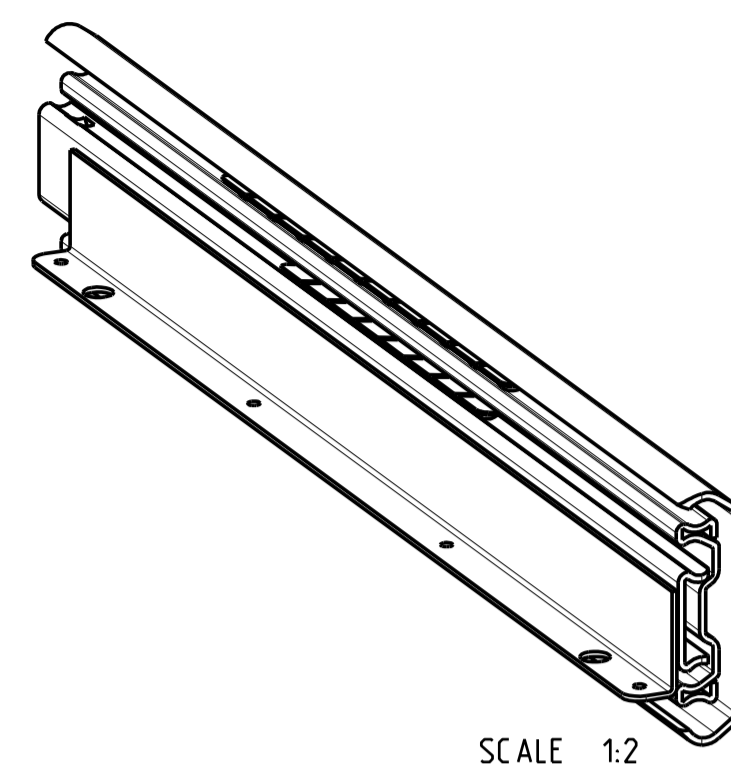


T 1-2 = 198.0
T 2-3 = 237.0



PRO/ENGINEER Drawing		Dimensions between marks are guide dimensions. Tolerances unless otherwise stated ±0.5mm.		Thomas Regout Int. B.V. reserves the right to alter non-customer specific specifications without notice.	
Was: -					
American projection	DIMENSION	mm	MAT.: -		
	SCALE	1:1	REM.: RIGHT HAND SLIDE IS SHOWN PART		
	DATE	12-09-2011	LEFT HAND SLIDE IS OPPOSITE PART		
	DESIGNER	R. Groen	TYPE B		
	CHECKED	-			
TITAN 400,0 / 435,0 (18,5mm)					
THOMAS REGOUT INTERNATIONAL BV				Drw. Nr.	Format.
				101-S03 _ 00	A1
© Thomas Regout International BV All rights are reserved.				Production	

04	-	-	05	-	-	-	-	06	-	-	-	-
01	-	-	02	-	-	-	-	03	-	-	-	-