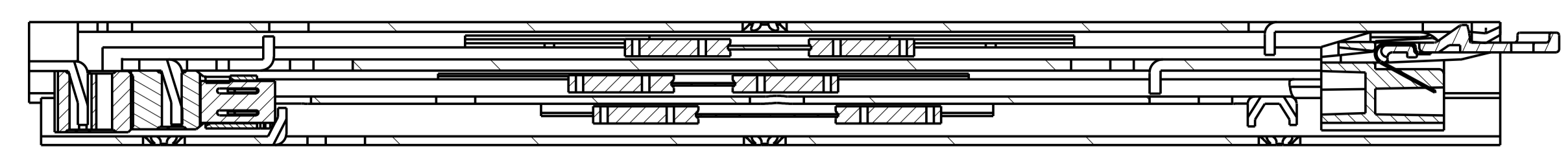


1 2 3 4 5 6 7 8 9 10 11 12 13 14 15 16 17 18 19 20

T 1-2 = 143.0
 T 2-3 = 127.0
 T 3-4 = 125.0

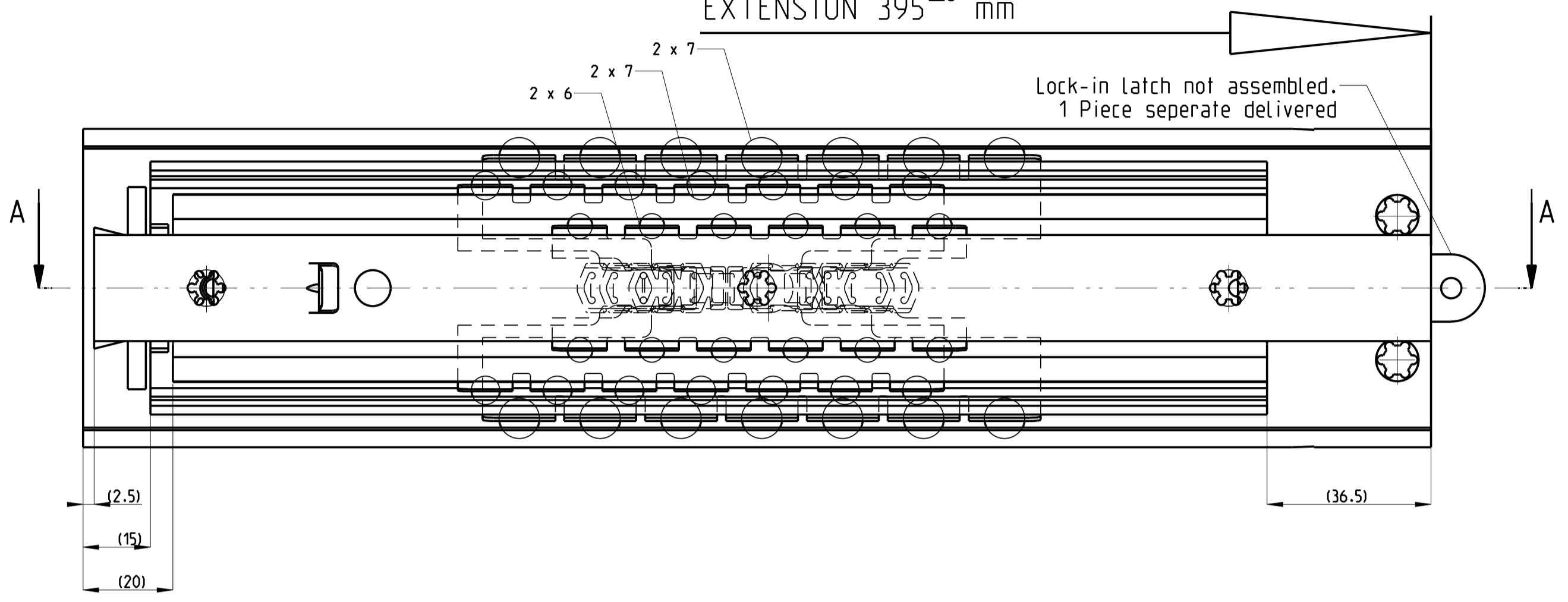
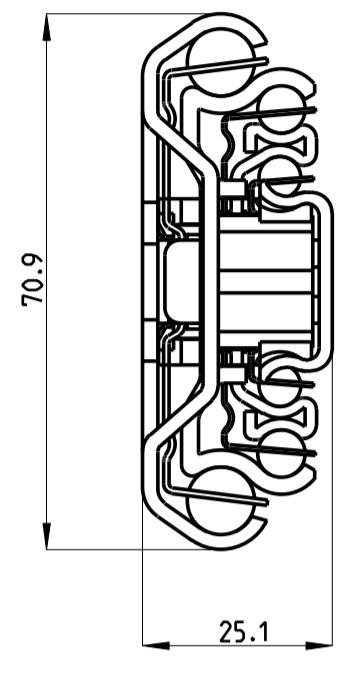


SECTION A-A

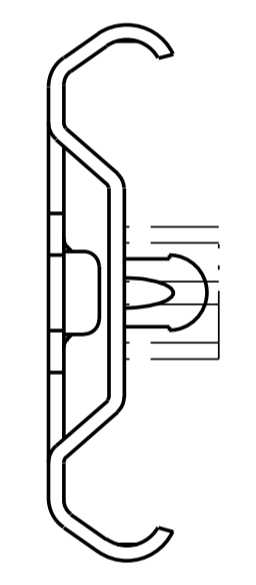
EXTENSION 395 ±6 mm

Lock-in latch not assembled.
 1 Piece separate delivered

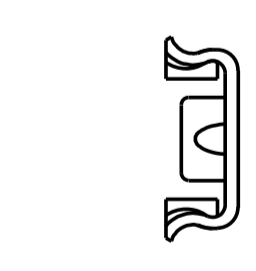
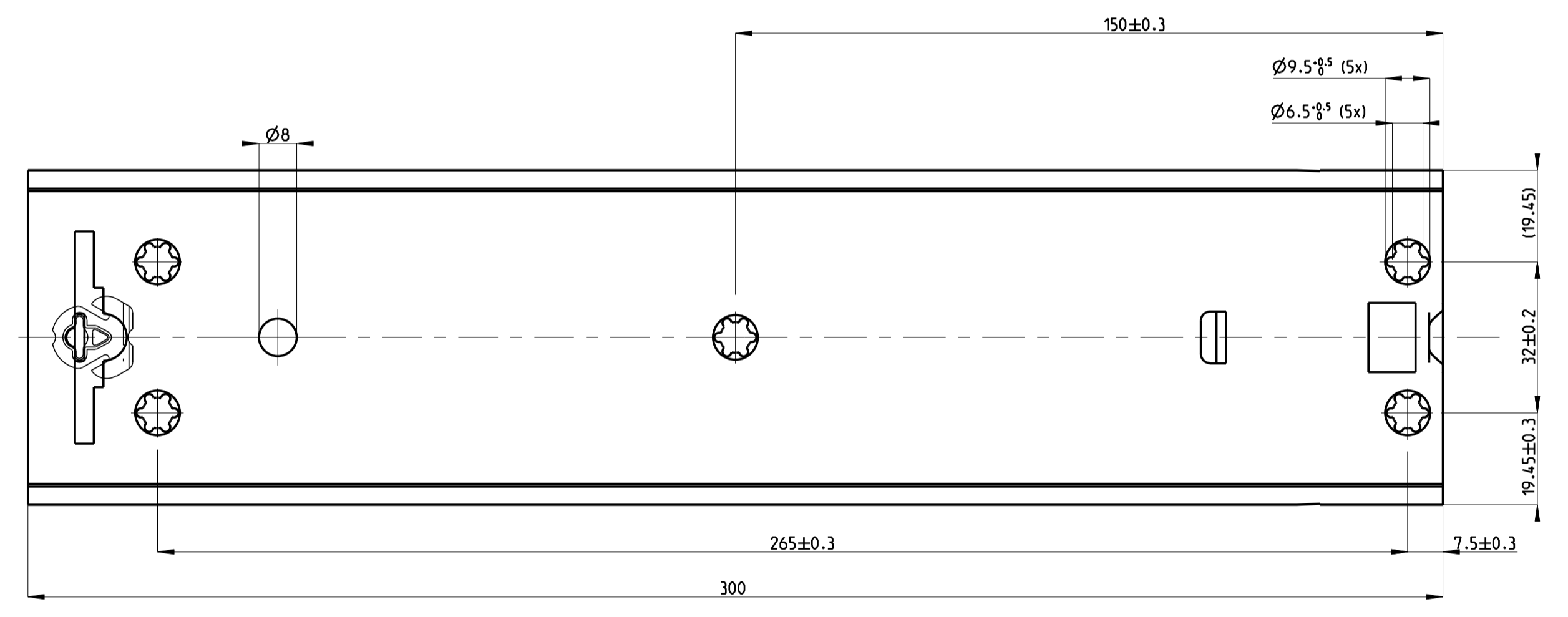
2 x 6
 2 x 7
 2 x 7



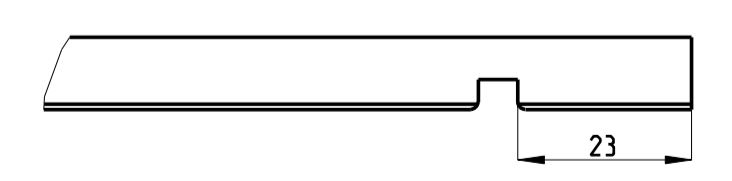
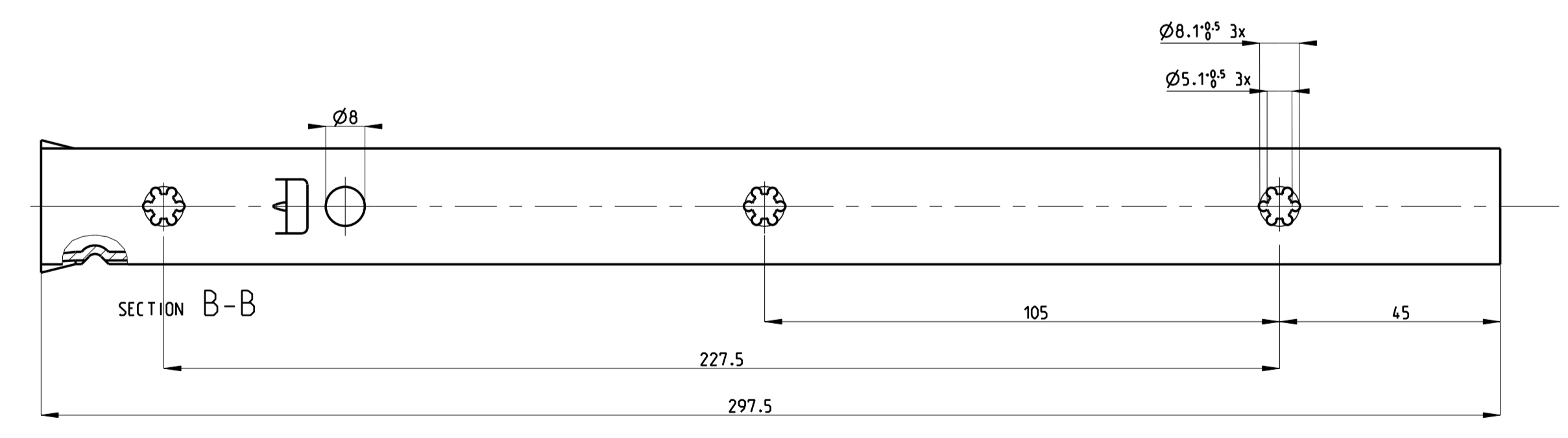
Front



511-11-M32-TA1



514-11-M32-UB3



PRO/ENGINEER Drawing	Dimensions between marks are guide dimensions.	Thomas Regout Int. B.V. reserves the right to alter non-customer specific specifications without notice.
Was: - -	Tolerances unless otherwise stated ±0.5mm.	
American projection	DIMENSION mm	MAT.: -
	SCALE 1:1	REM.: Rechter uitvoering = linker uitvoering.
	DATE 08-03-2007	-
	DESIGNER M. Bulle	-
	CHECKED -	-
CONDOR 300.0 / 395.0 (25.1mm)		
		Drw. Nr. 111-M32 _ 00
© Thomas Regout International BV All rights are reserved.		Format. A1
		Production

04	-	-	-	-	05	-	-	-	-	06	-	-	-	-
01	-	-	-	-	02	-	-	-	-	03	-	-	-	-