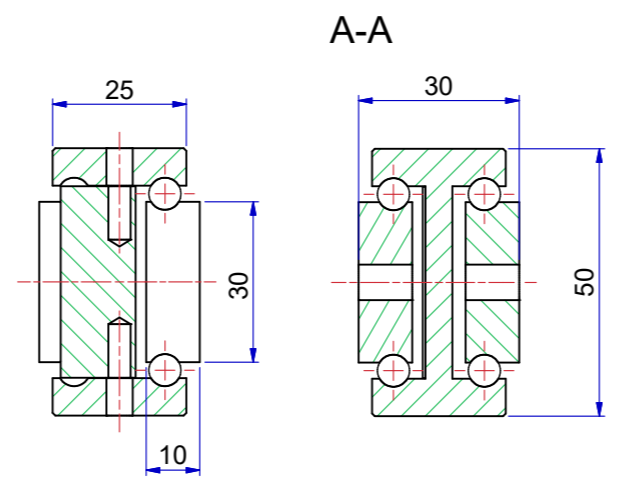
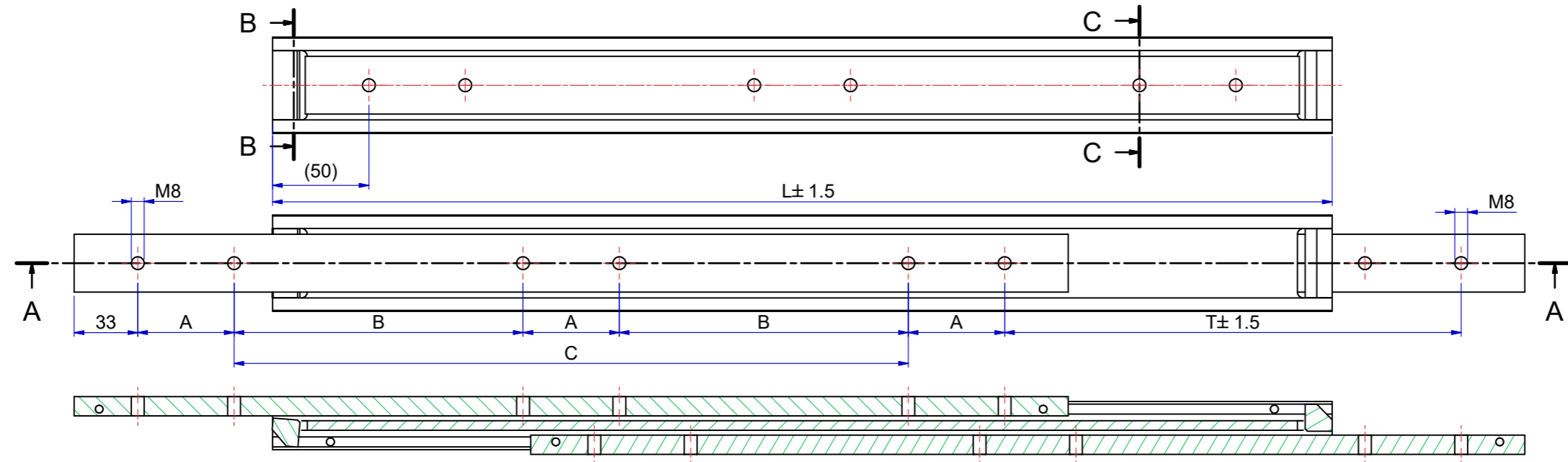


Slide number	Installation length L (mm)	Travel T (mm)	Load per pair (kg) steel	Load per pair (kg) aluminum	Dimension A	Dimension B	Dimension C
13850S01B	200	200	340	110	50	-	-
13850S02B	250	250	350	120	50	-	50
13850S03B	300	300	360	130	50	-	100
13850S04B	350	350	370	140	50	-	150
13850S05B	400	400	380	150	50	-	200
13850S06B	450	450	390	160	50	-	250
13850S07B	500	500	400	170	50	-	300
13850S08B	550	550	410	180	50	150	-
13850S09B	600	600	420	175	50	175	-
13850S10B	650	650	410	170	50	200	-
13850S11B	700	700	400	165	50	225	-
13850S12B	750	750	390	160	50	250	-
13850S13B	800	800	380	155	50	275	-
13850S14B	850	850	370	150	50	300	-
13850S15B	900	900	360	145	50	325	-
13850S16B	950	950	350	140	50	350	-
13850S17B	1000	1000	340	135	50	375	-
13850S18B	1050	1050	330	130	50	400	-
13850S19B	1100	1100	320	125	50	425	-
13850S20B	1150	1150	310	120	50	450	-
13850S21B	1200	1200	290	115	50	475	-

MATERIAL	ITEM NUMBER
STEEL	13850SxxB
ALUMINIUM	13850Sxx7B



The load capacities are based on a 1% deflection test based on a simulation model (Finite Element Analysis)
 Load capacity in practice always depends on mounting use and other external factors that can influence this.
 Tolerance ±0.5mm measured from reference point.

Designer M. Urlings	Gen.Tol.Dim. ± 0.5	Third angle projection	Material	
Date 19-7-2018	Gen.Tol.Angle ± 0.5		Treatment	
Approver	Gen.Roughness Ra		Draw type Fabrication	Doc.No. E000146898
Date	Units mm/deg.		Scale 1 : 2	Type
Description SUPREME TR5030 - (30) BILEX				
Format A2			Item No. 13850-SxxB	Revision 01
© THOMAS REGOUT INTERNATIONAL BV, Industrieweg 40, 6219 NR, Maastricht, The Netherlands, +31 (0)43 351 66 66 All rights are reserved.				

Rev	Date	Description	Designer
01	07-04-2023	REVISED MODEL AND TABLE.	R.G