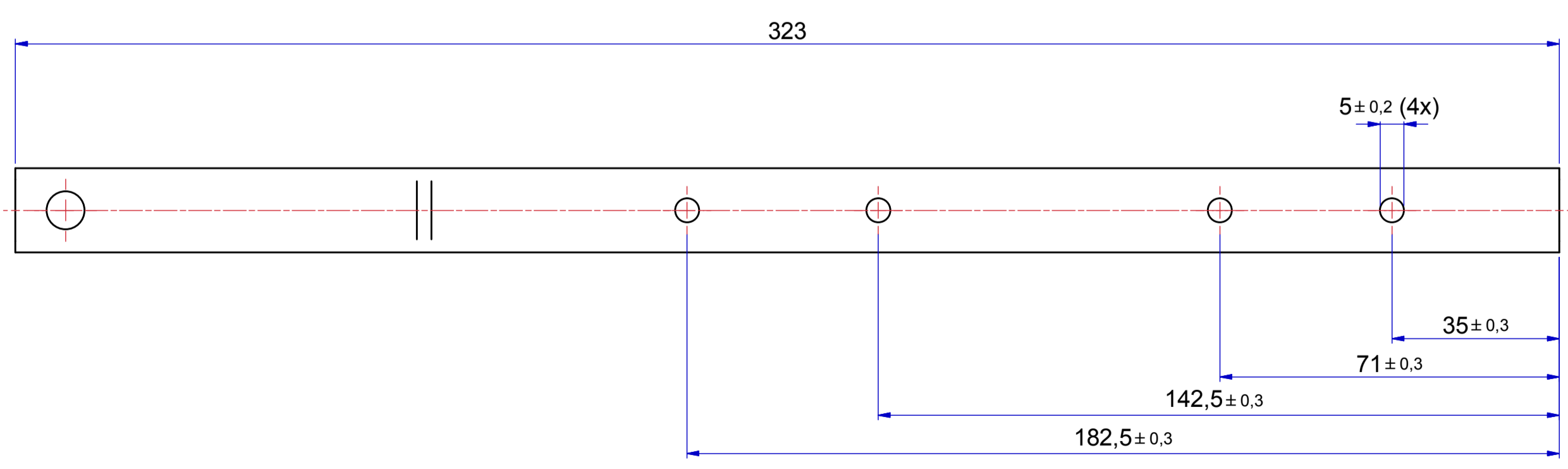
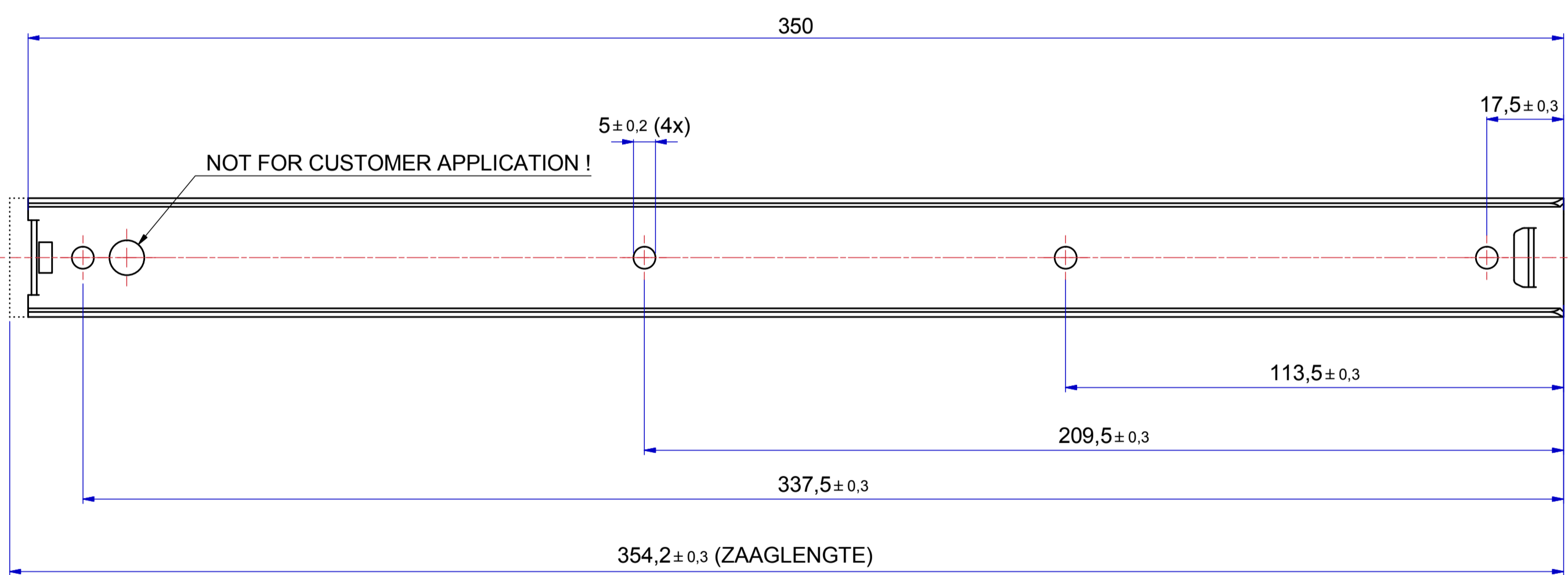
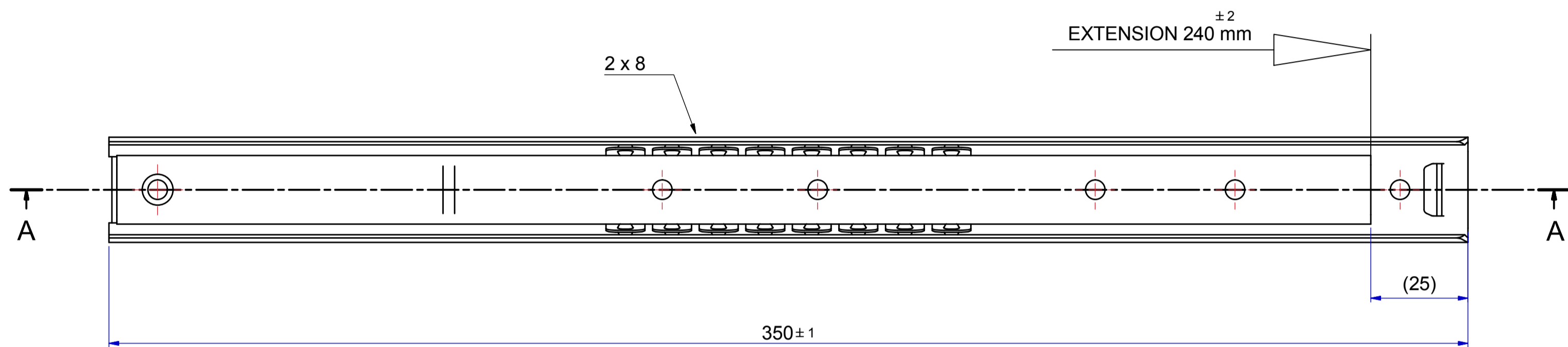
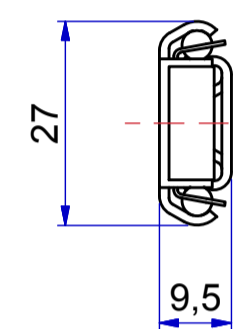
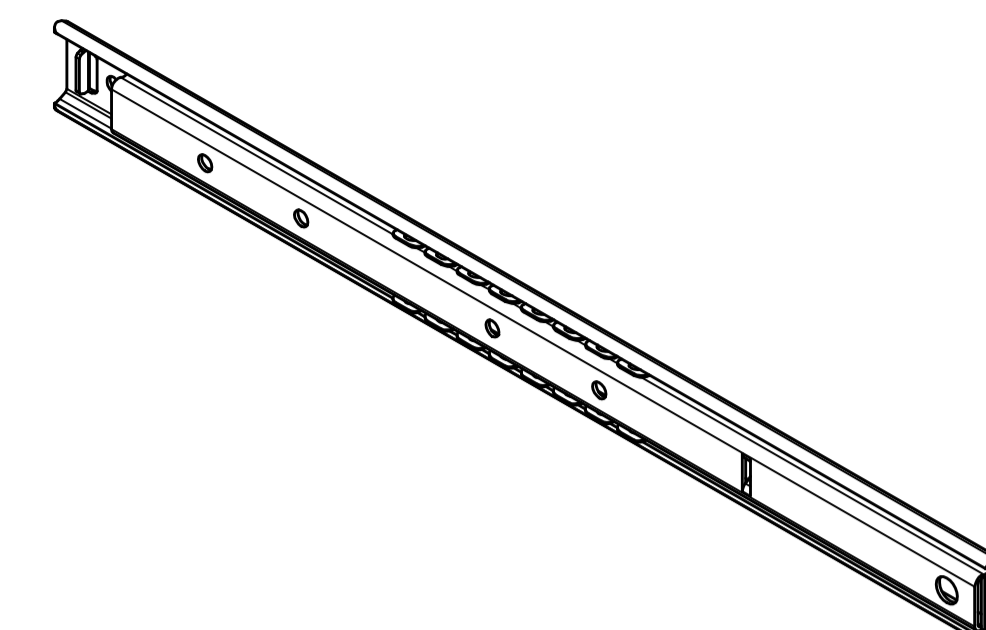
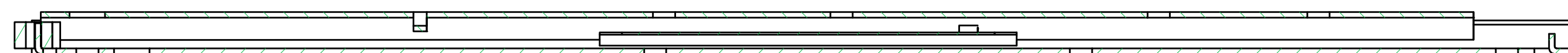


T 1 - 2 = 240,0 mm

A-A (1:1)



511-09-43-EMS1

513-09-43-EMS2

Right hand slide = Left hand slide.
 Dimensions between marks are guide dimensions.
 Thomas Regout Int. B.V. reserves the right to alter non-customer specific specifications without notice.

Released for Production

02	05-06-15	GETEKEND IN INVENTOR		IWJ
02	30-01-97	ZAAGLENGTE EMS1 355 7 -> 354 2		AN
01	21-08-90	SENZIMIR LOOPWERK WORDT GALVANISCH VERZINKT LOOPWERK		RH
Rev	Date	Description	Designer	
Designer	J.Schreurs	Gen.Tol.Dim. ± 0.5	Third angle projection	Material
Date	10-4-1984	Gen.Tol.Angle ± 0.5		Treatment
Approver		Gen.Roughness Ra		Draw type Fabrication
Date		Units mm/deg.	Scale 1 : 1	Type Model No. E000031066
Description				
EMS STANDAARD 350.0 / 240.0 (9,5mm)				
				Released for Production
Format			Item No.	Revision
A1			109-043	02
© THOMAS REGOUT INTERNATIONAL BV, Industrieweg 40, 6219 NR, Maastricht, The Netherlands, +31 (0)43 351 66 66 All rights are reserved.				