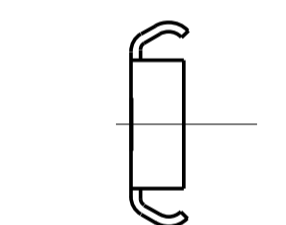
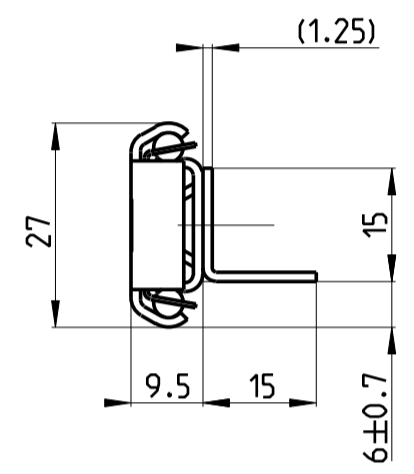
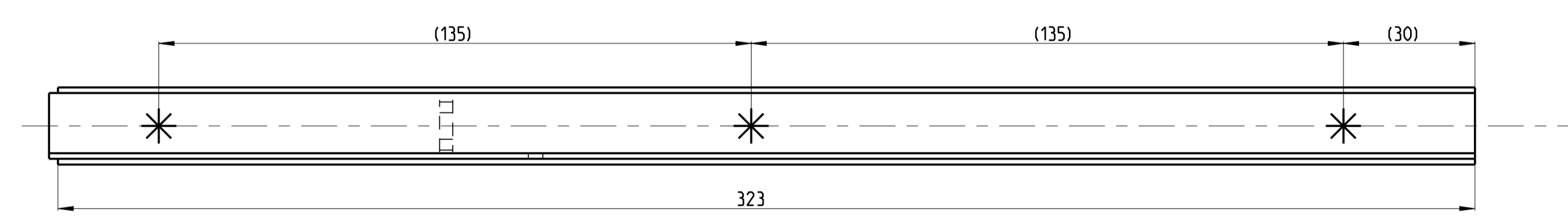
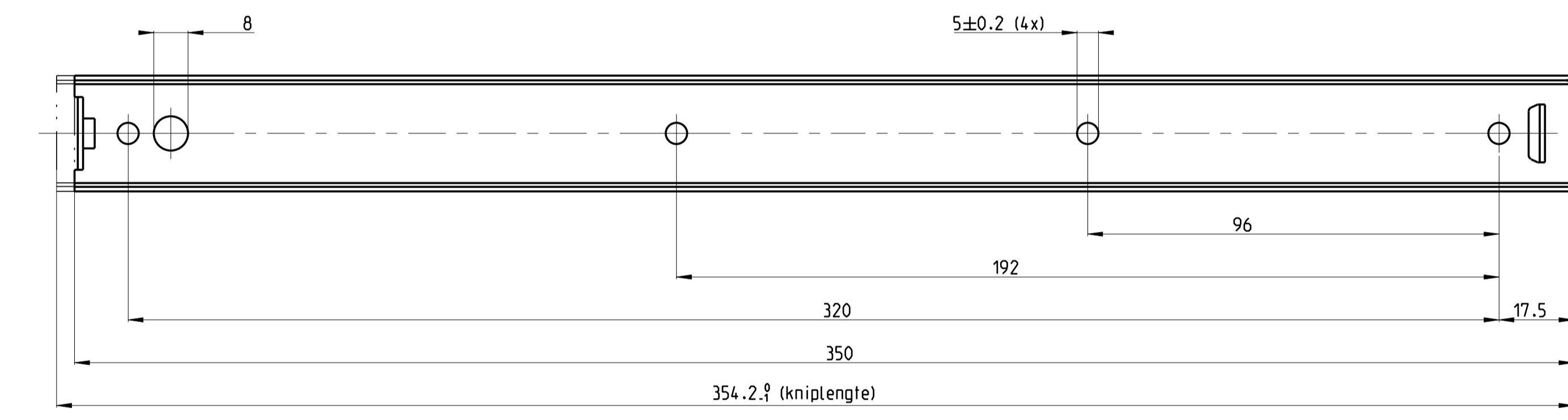
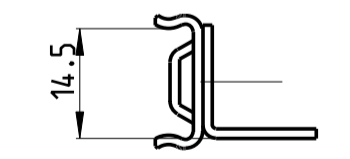


FRONT



511-09-050-EMS1



513-09-050-EMS2

PRO/ENGINEER Drawing		Dimensions between marks are guide dimensions. Tolerances unless otherwise stated ±0.5mm.		Thomas Regout Int. B.V. reserves the right to alter non-customer specific specifications without notice.	
Was: - -					
American projection	DIMENSION	mm	MAT.: -		
	SCALE	1:1	REM.: Right hand slide is shown part		
	DATE	07-03-2007	Left hand slide is opposite part		
	DESIGNER	J. Schreurs	-		
	CHECKED	-	Type 2		
EMS 350.0 / 240.0 (9,5mm)					
THOMAS REGOUT INTERNATIONAL BV				Drw. Nr.	Format.
				109-050 _ 03	A1
© Thomas Regout International BV All rights are reserved.				Production	