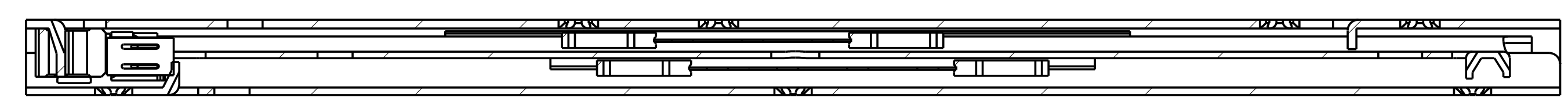
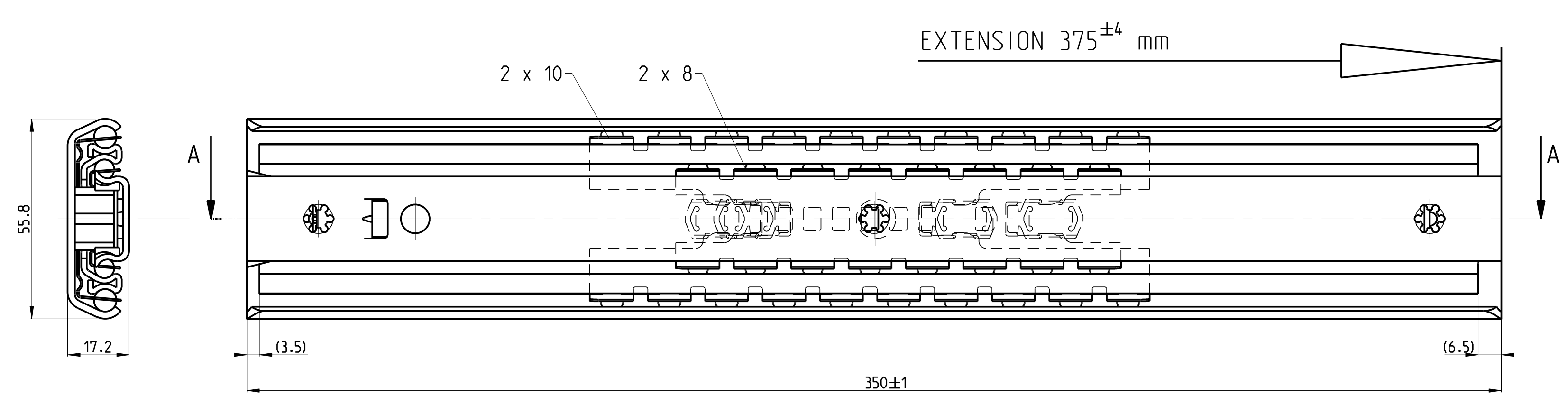


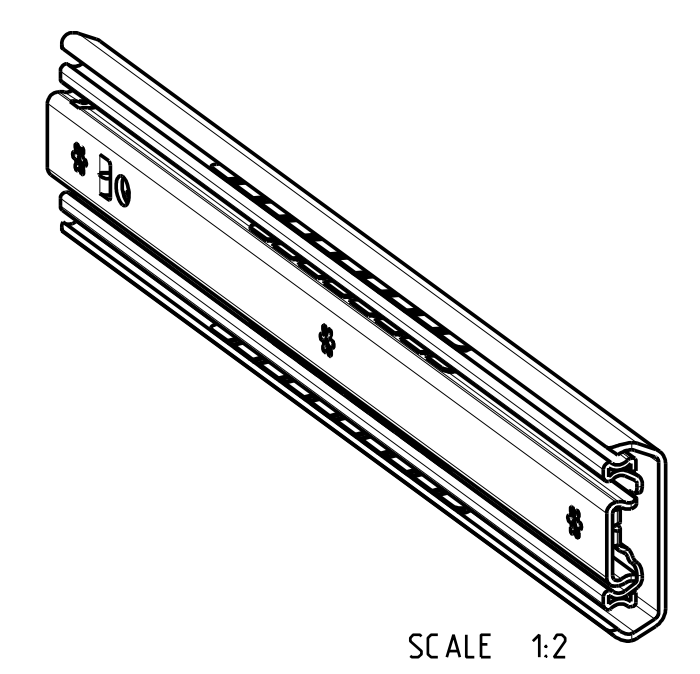
T 1-2 = 184.5  
T 2-3 = 190.5



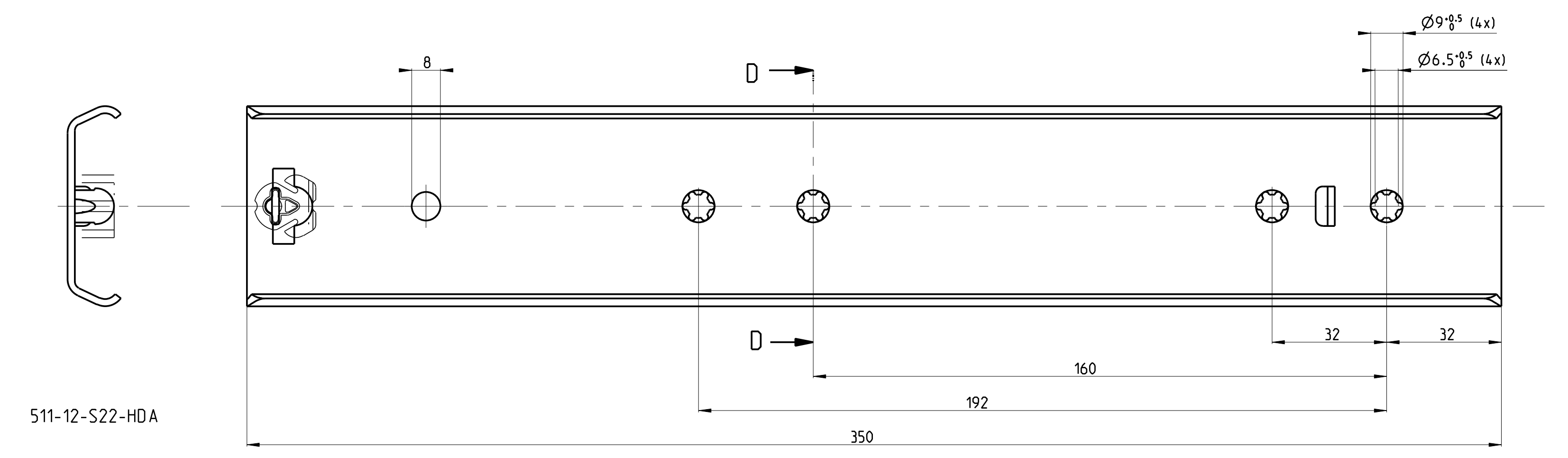
SECTION A-A



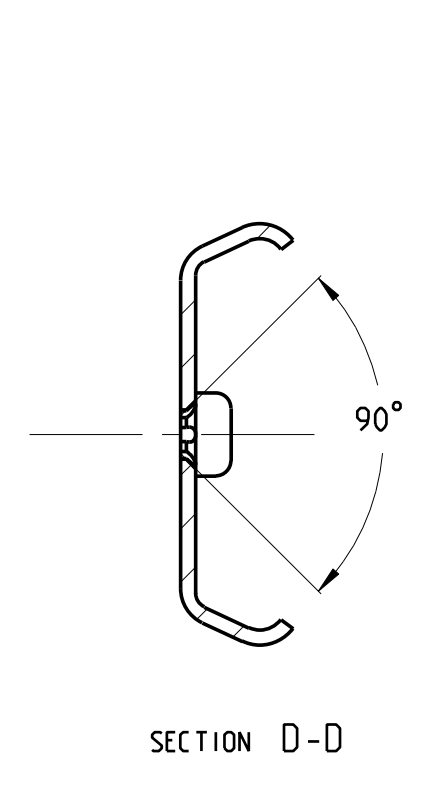
FRONT



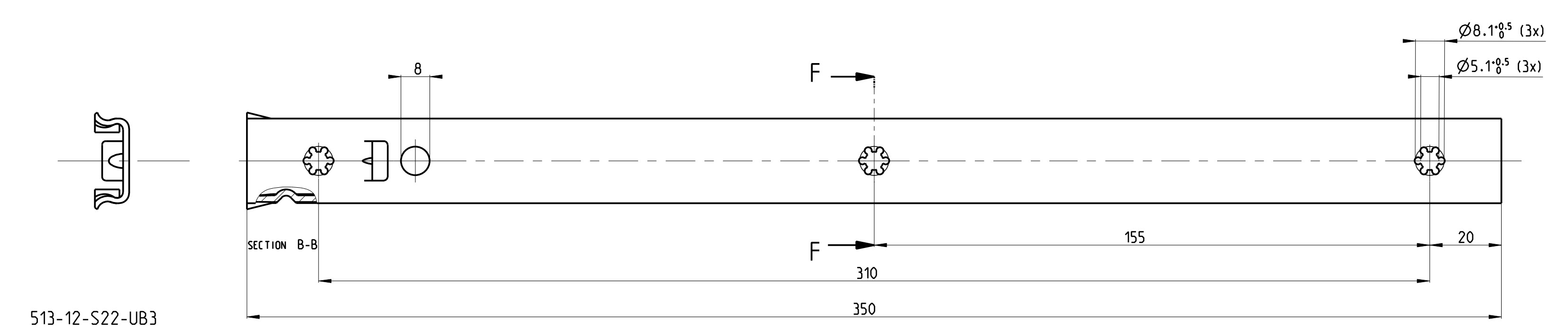
SCALE 1:2



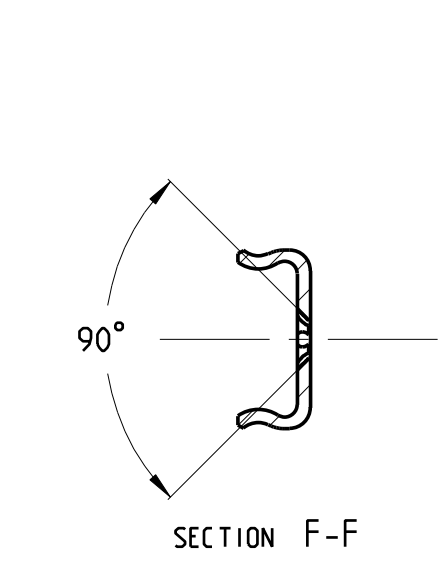
511-12-S22-HDA



SECTION D-D



513-12-S22-UB3



SECTION F-F

PRO/ENGINEER Drawing Was: - 112-F56-00	Dimensions between marks are guide dimensions. Tolerances unless otherwise stated ±0.5mm.	Thomas Regout Int. B.V. reserves the right to alter non-customer specific specifications without notice.
American projection	DIMENSION mm	MAT.: -
	SCALE 1:1	REM.: Right hand slide = left hand slide.
	DATE 11-08-2011	-
	DESIGNER M. Mahieu	-
	CHECKED -	Type D
ULF HD 350.0 / 375.0 (17.2mm)		
<b>THOMAS REGOUT INTERNATIONAL BV</b>		Drw. Nr. 112-S22 _ 00
© Thomas Regout International BV All rights are reserved.		Format. A1
Production		

04	-	-	-	05	-	-	-	06	-	-	-	-
01	-	-	-	02	-	-	-	03	-	-	-	-