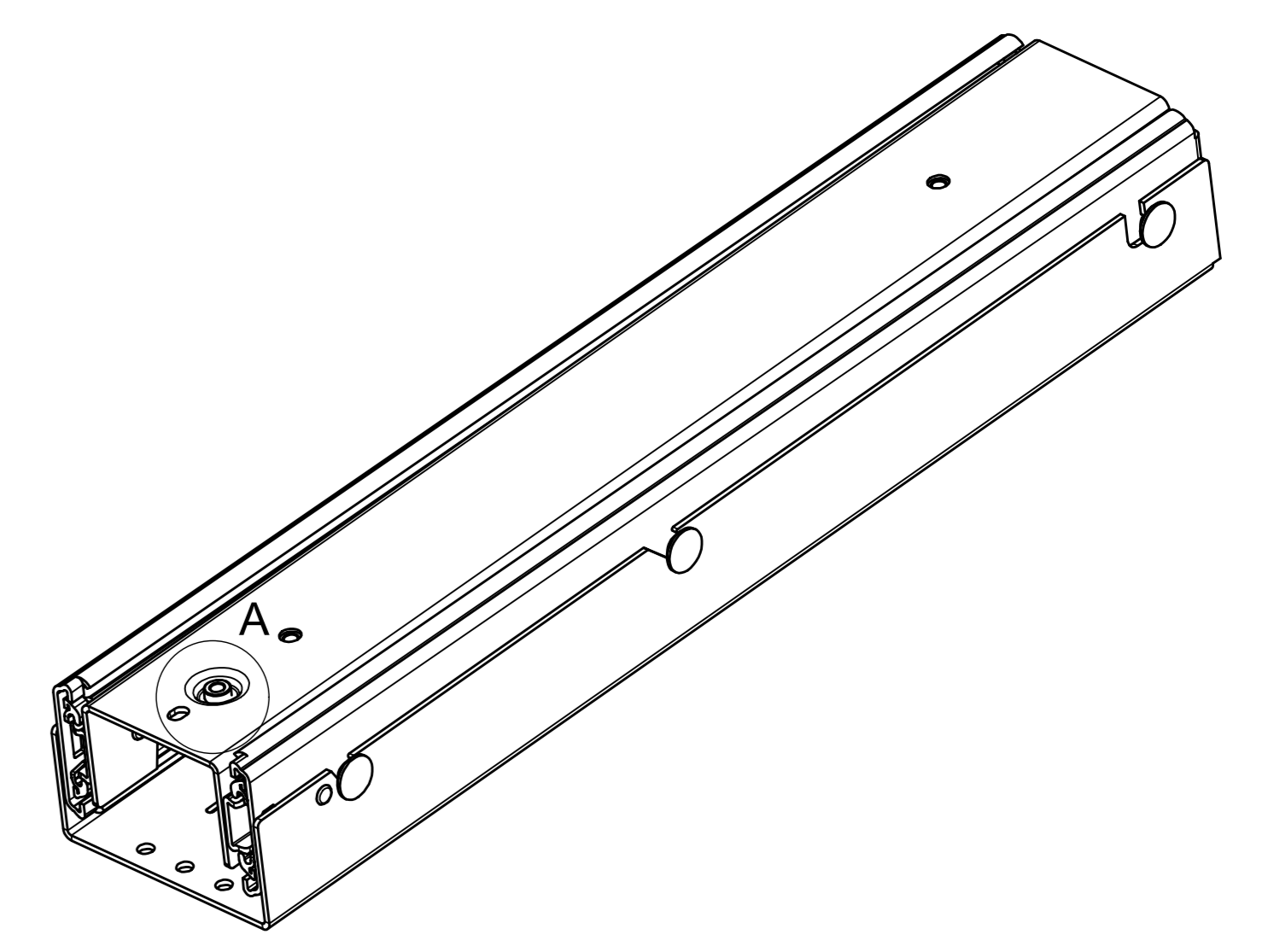
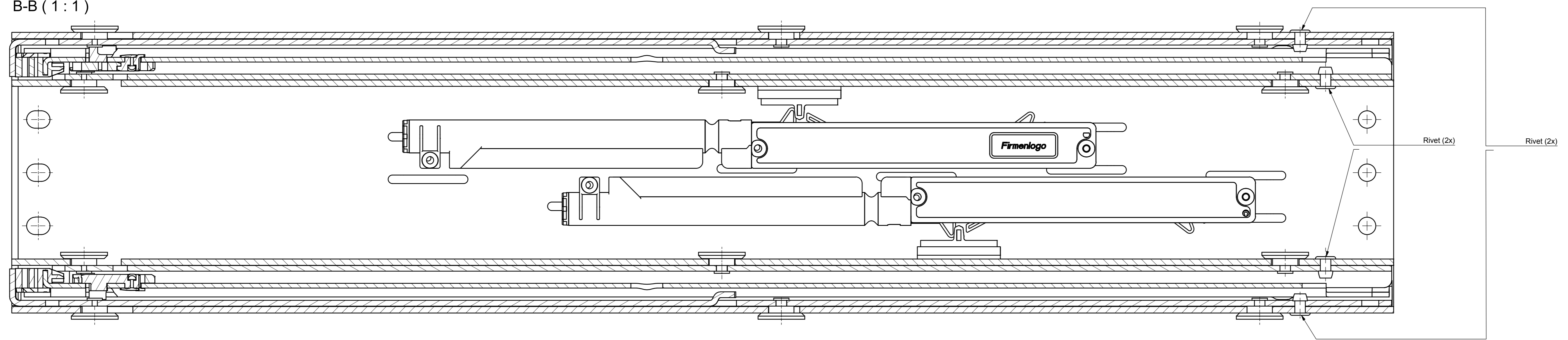
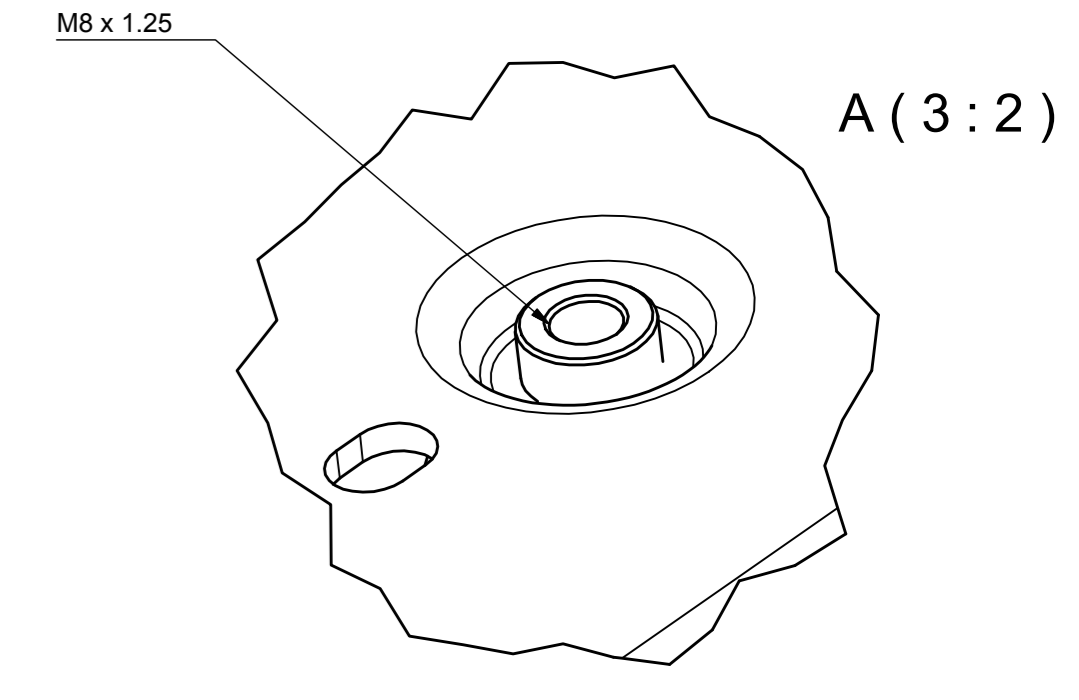


B-B (1 : 1)

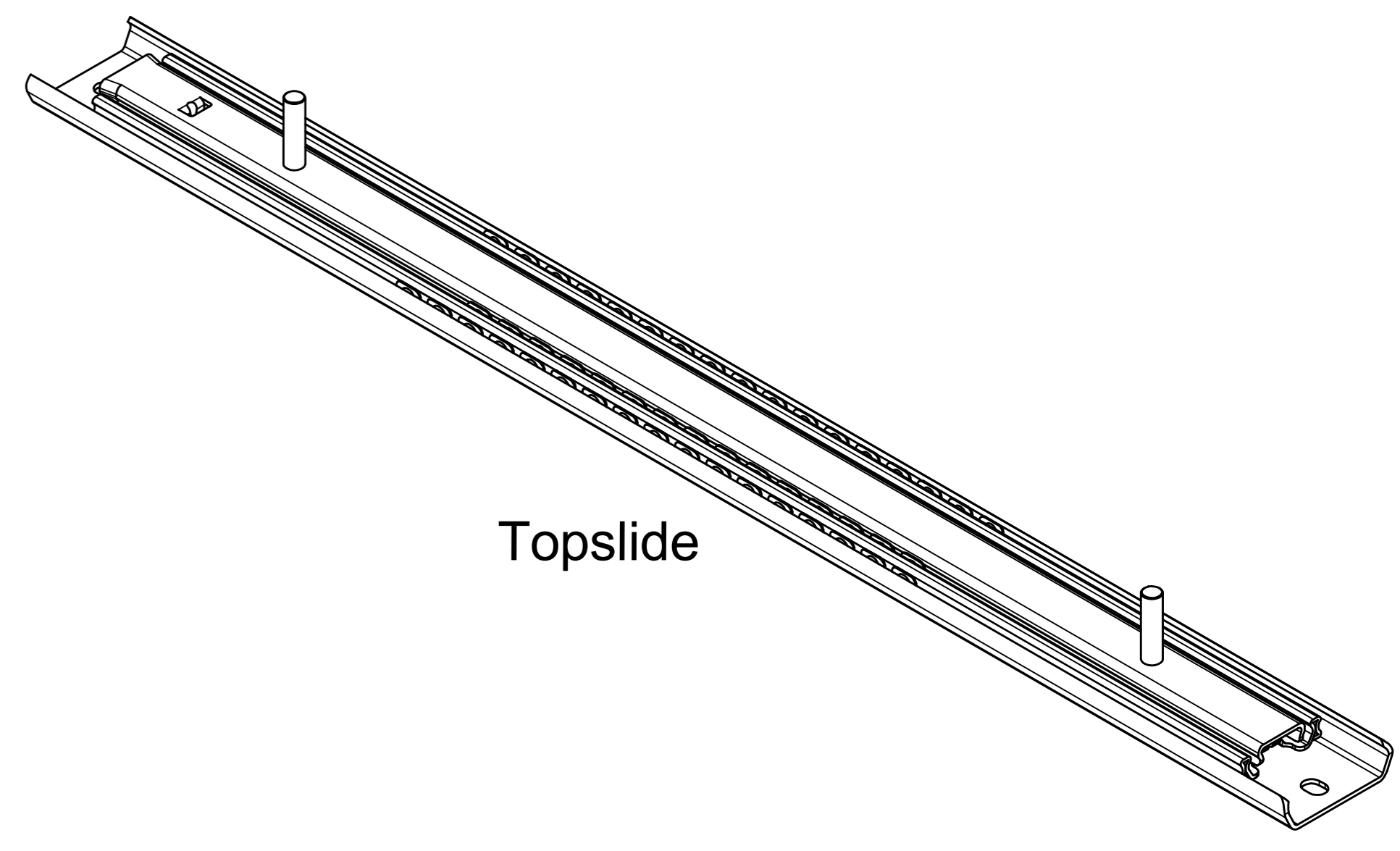
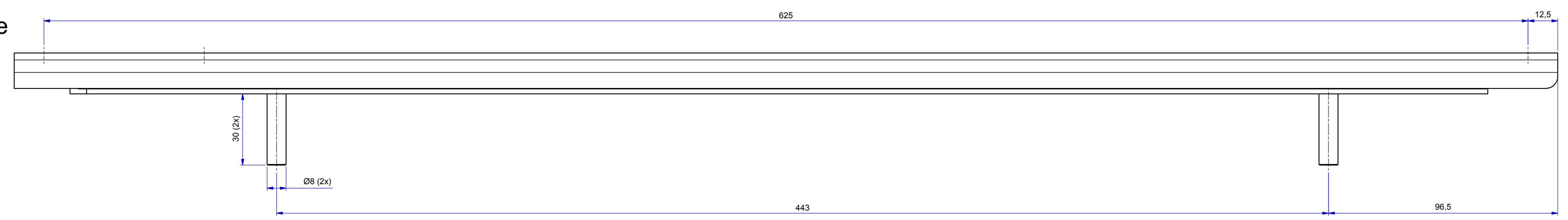


FRONT



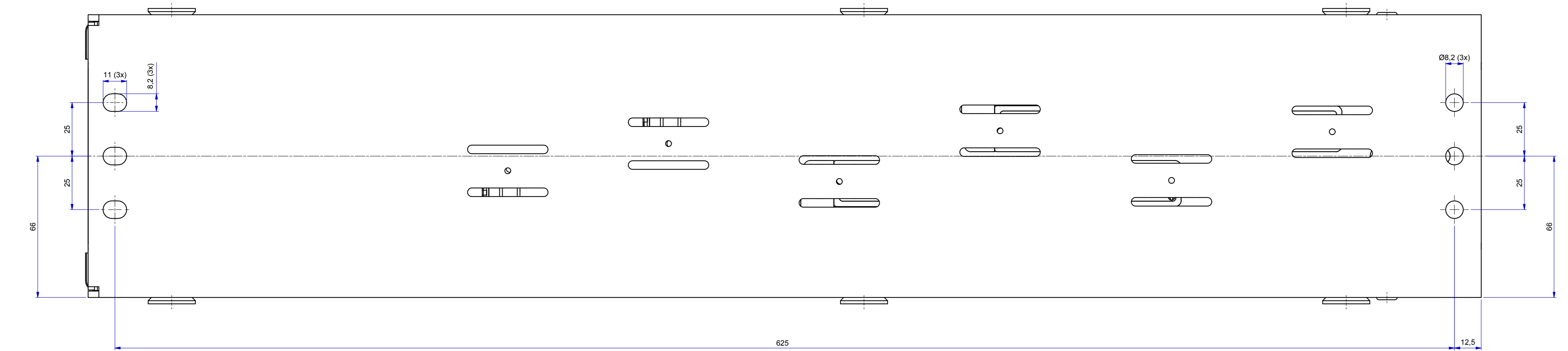
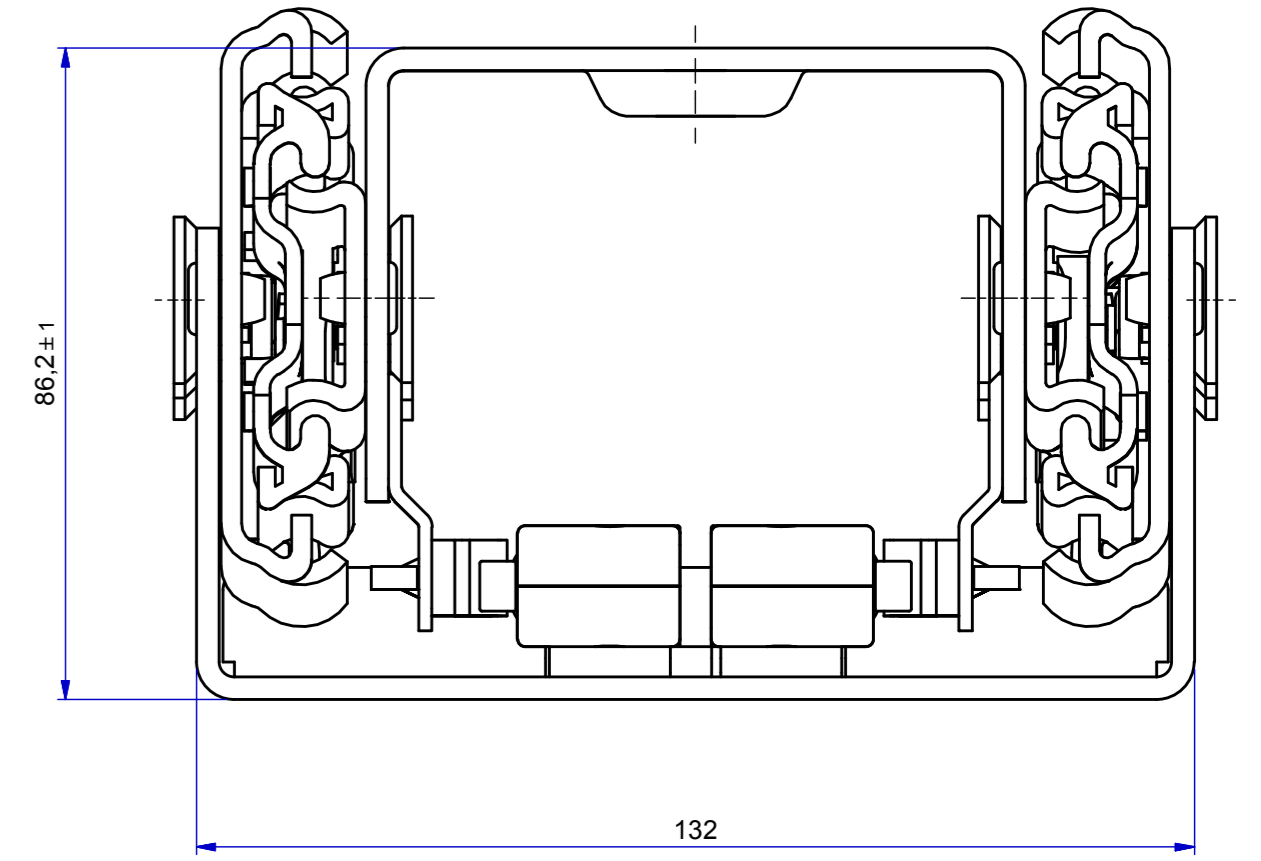
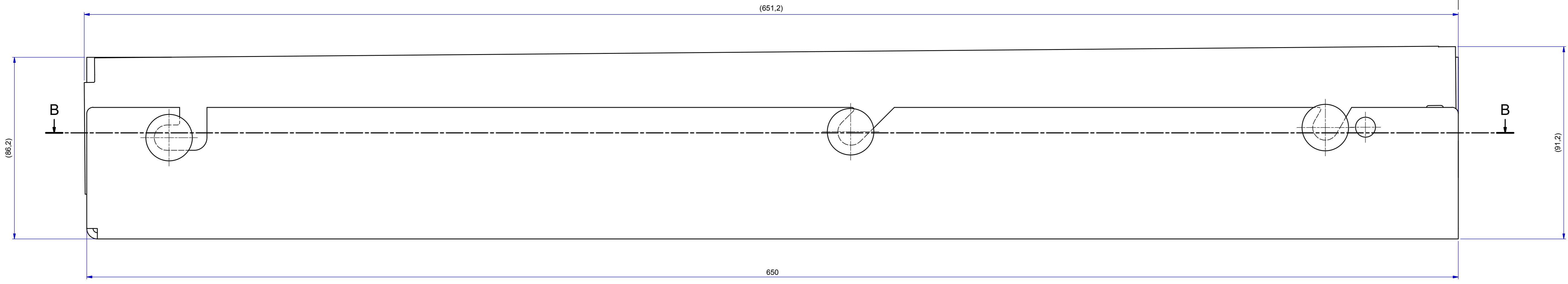
A (3 : 2)

Topside



Topside

EXTENSION 620 ±4mm



# PRODUCTION

Thomas Regout Int B.V reserves the right to alter non-customer specific specifications without notice.

Rev	20-8-2015	Friction changed, Width lower and upper +2mm because of damper activator space	W.Jans
Date	1-7-2015		Designer
Designer	W.Jans	Gen.Tol.Dim. ± 0,5	Material
Date	1-7-2015	Gen.Tol.Angle ± 0,5	Treatment
Approver		Gen.Roughness Ra Ra	Draw type: Fabrication
Date		Units mm/deg.	Scale 1 : 1 Type Model No. E000029739

Description: CABINET KIT 7619, 650, 620

Form:	A0	THOMAS REGOUT INTERNATIONAL B.V.	Item No. 150-A38	Revision 01
-------	----	----------------------------------	------------------	-------------