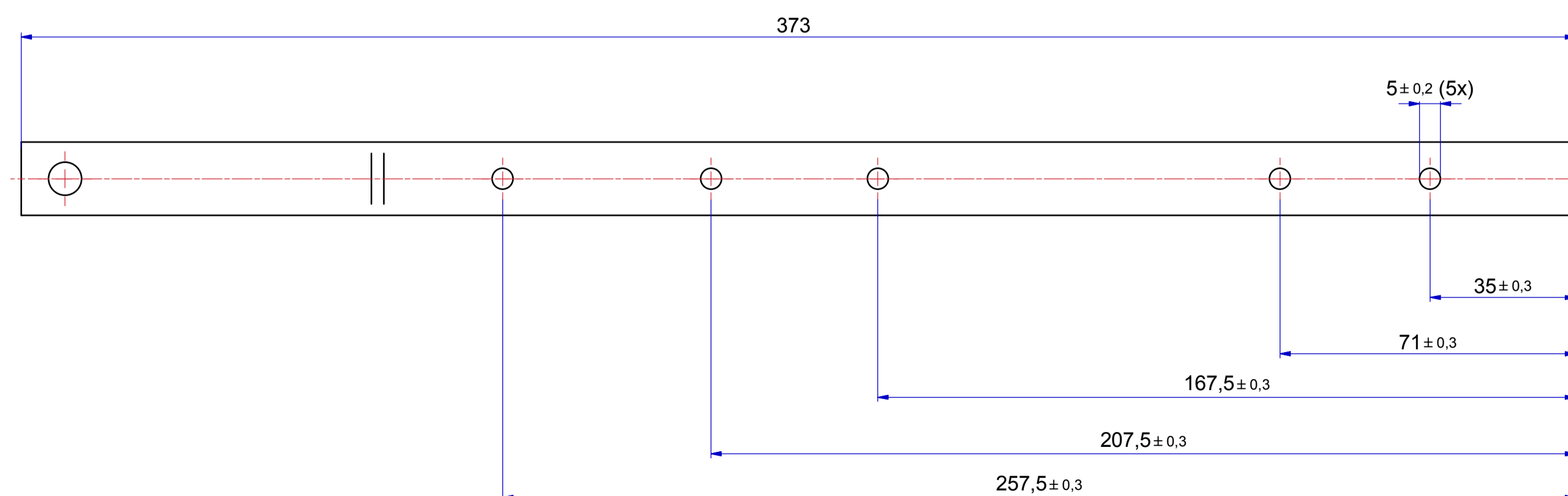
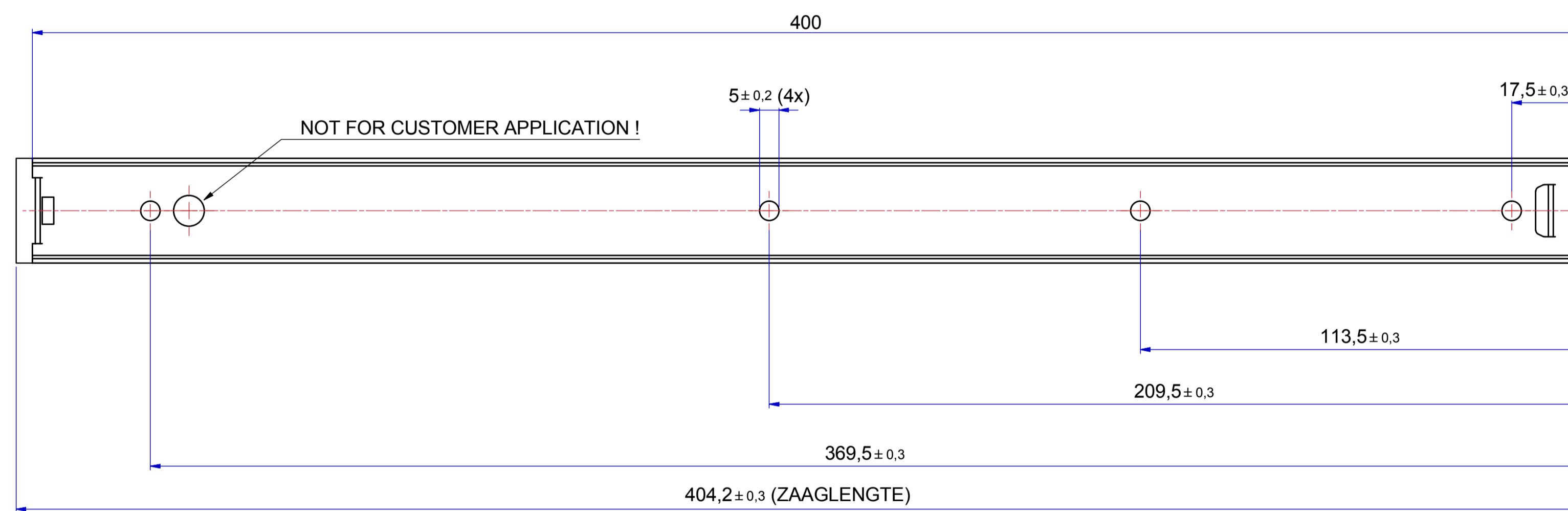
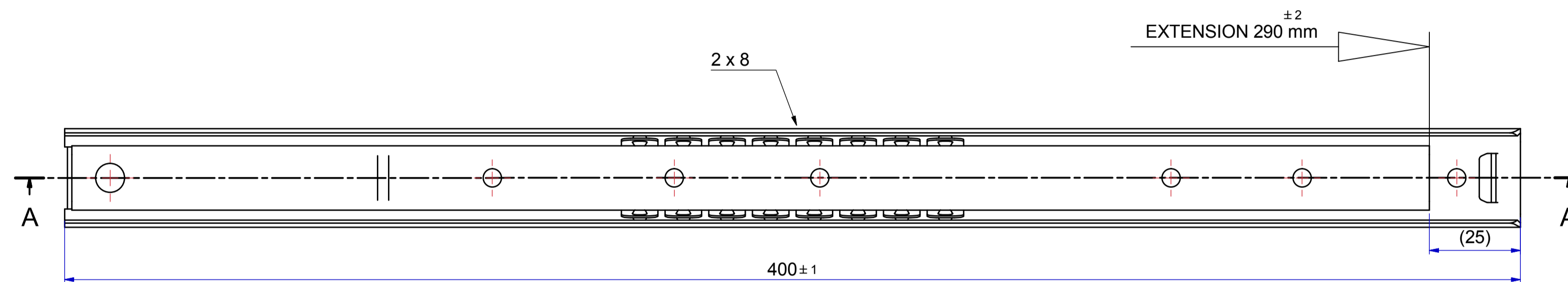
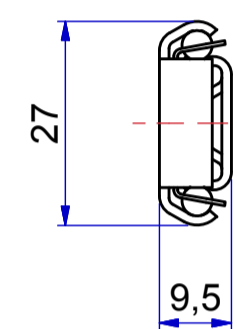
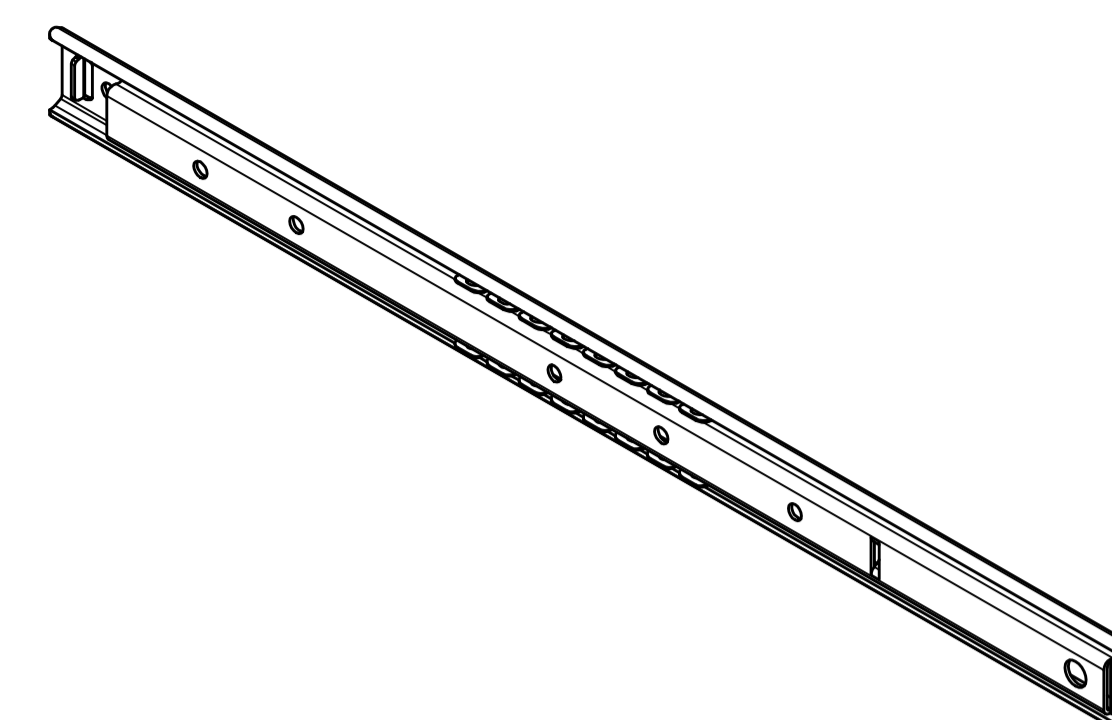
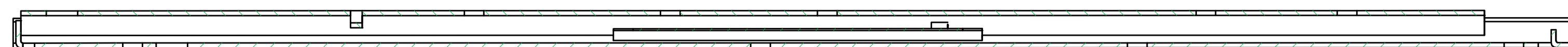


T 1 - 2 = 290,0 mm

A-A (1:1)



511-09-44-EMS1

513-09-44-EMS2

Right hand slide = Left hand slide.
 Dimensions between marks are guide dimensions.
 Thomas Regout Int. B.V. reserves the right to alter non-customer specific specifications without notice.

Released for Production

02	05-06-15	GETEKEND IN INVENTOR	W.Jans
02	30-01-97	ZAAGLENGTE EMS 1 405.7 -> 404.2	AN
01	21-08-90	SENZIMIR LOOPWERK WORDT GALVANISCH VERZINKT LOOPWERK	RH
Rev	Date	Description	Designer
Designer	J.Schreurs	Gen.Tol.Dim. ± 0.5	Material
Date	10-4-1984	Gen.Tol.Angle ± 0.5	Treatment
Approver		Gen.Roughness Ra	Draw type Fabrication
Date		Units mm/deg.	Scale 1 : 1
Description		Model No. E000031107	
EMS STANDAARD 400.0 / 290.0 (9,5mm)		Released for Production	
Format	A1	Item No.	109-044
		Revision	02
© THOMAS REGOUT INTERNATIONAL BV, Industrieweg 40, 6219 NR, Maastricht, The Netherlands, +31 (0)43 351 66 66 All rights are reserved.			