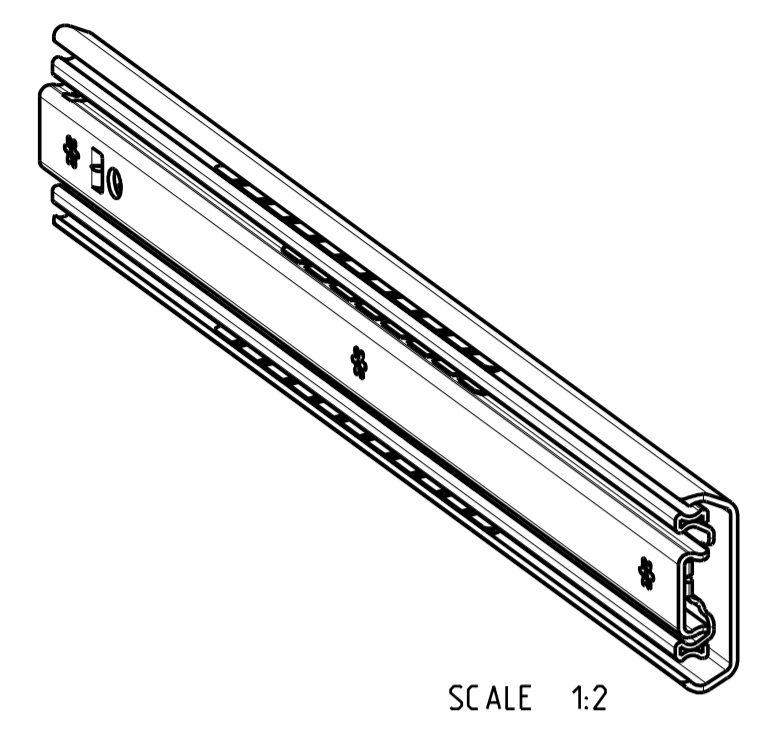
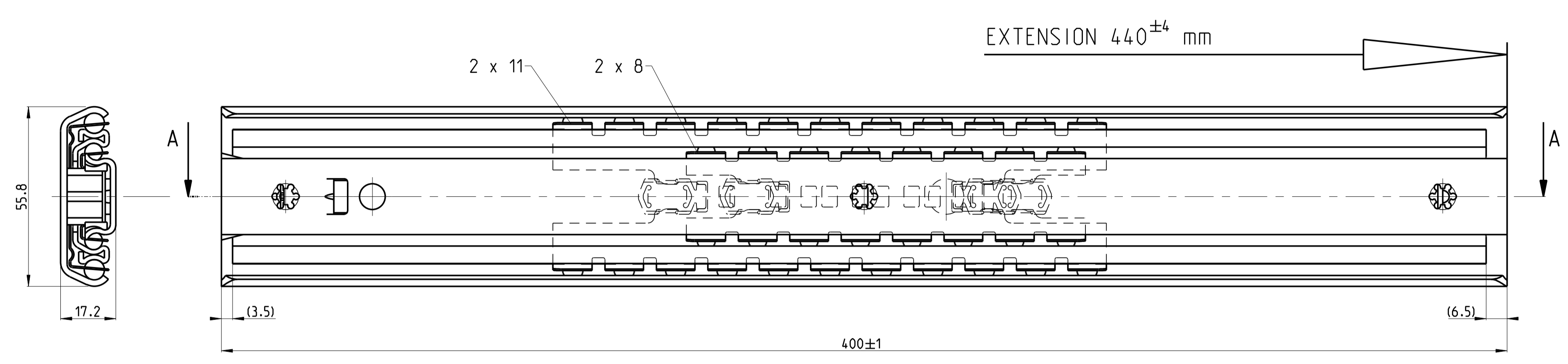
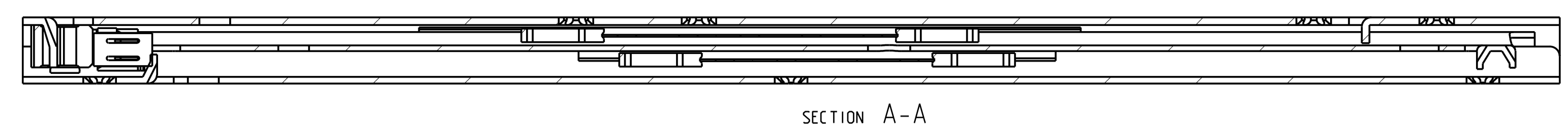
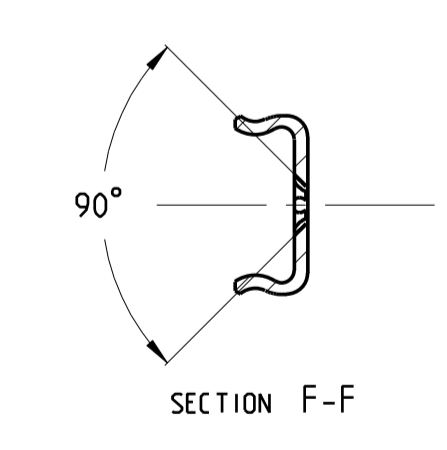
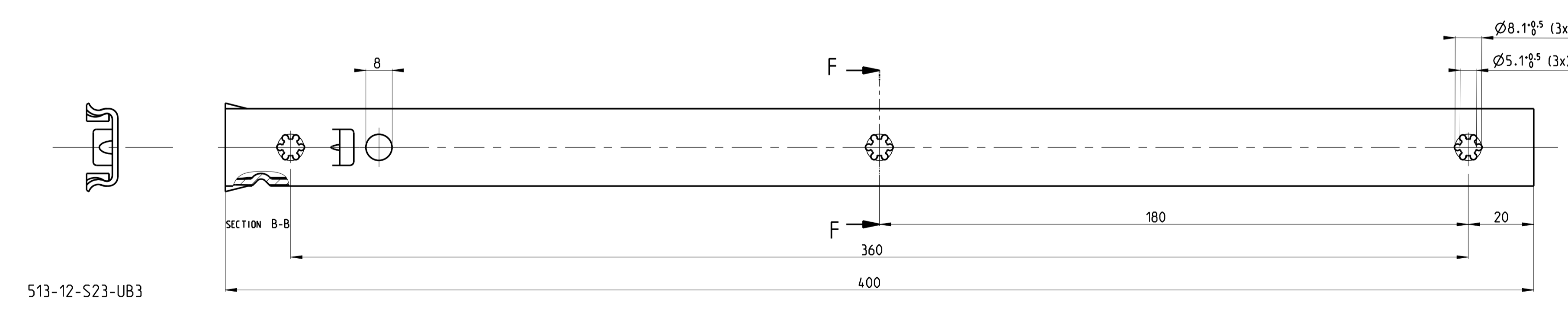
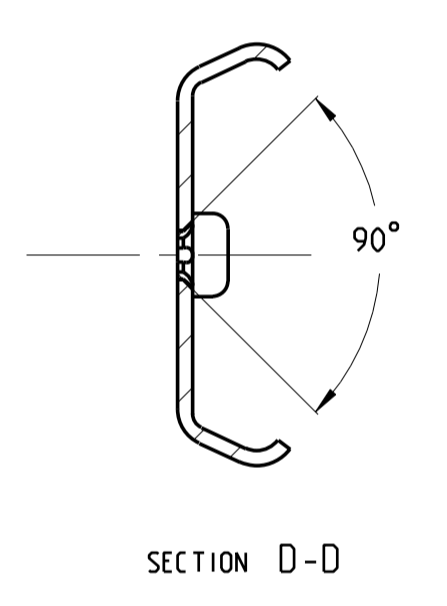
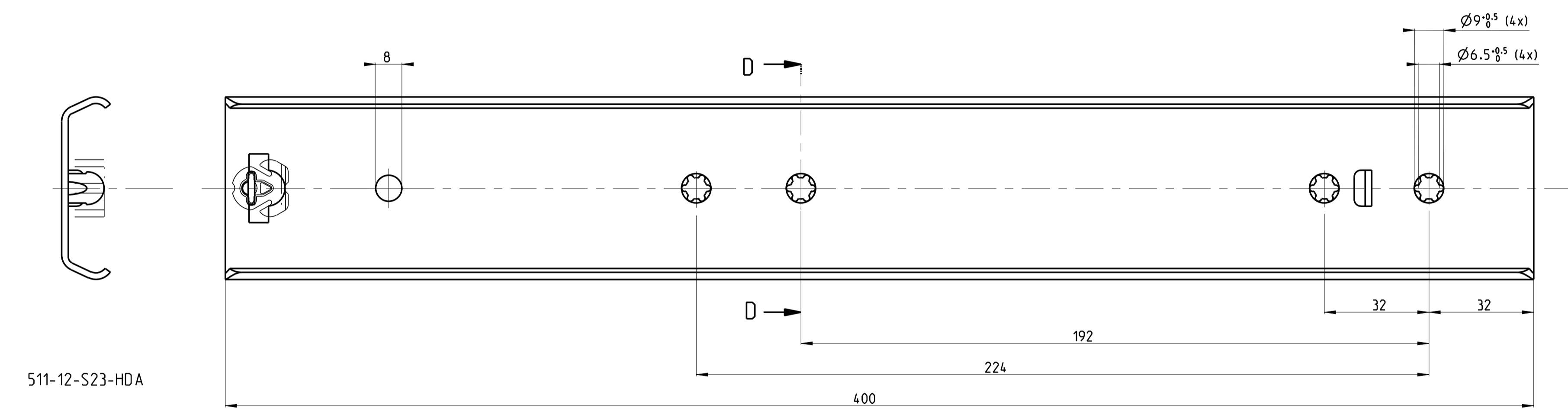


1 2 3 4 5 6 7 8 9 10 11 12 13 14 15 16 17 18 19 20

T 1-2 = 199.5
T 2-3 = 240.5



FRONT



PRO/ENGINEER Drawing Was: - 112-F57-00	Dimensions between marks are guide dimensions. Tolerances unless otherwise stated \pm 0.5mm.	Thomas Regout Int. B.V. reserves the right to alter non-customer specific specifications without notice.
American projection	DIMENSION mm	MAT.: -
SCALE 1:1	DATE 11-08-2011	DESIGNER M. Mahieu
CHECKED -		REM.: Right hand slide = left hand slide.
		Type D
ULF HD 400,0 / 440,0 (17,2mm)		
THOMAS REGOUT INTERNATIONAL BV		Drw. Nr. 112-S23 _ 00
© Thomas Regout International BV All rights are reserved.		Format. A1
		Production

04	-	-	-	05	-	-	-	06	-	-	-	-	-
01	-	-	-	02	-	-	-	03	-	-	-	-	-