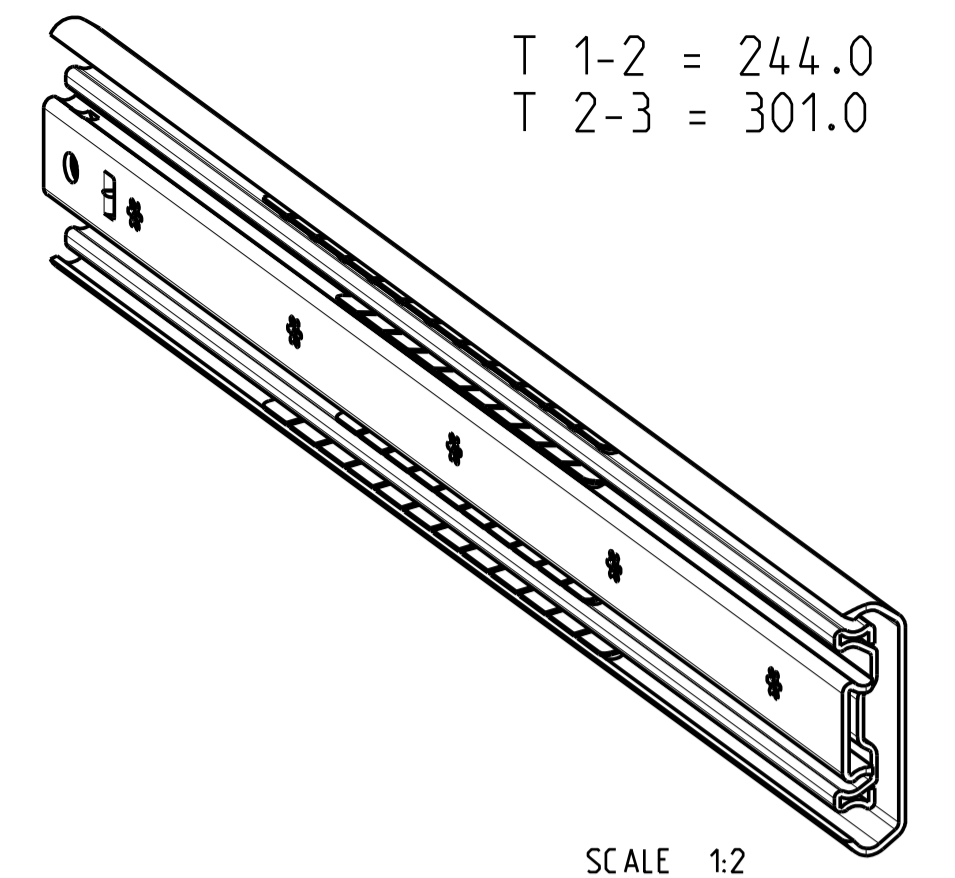
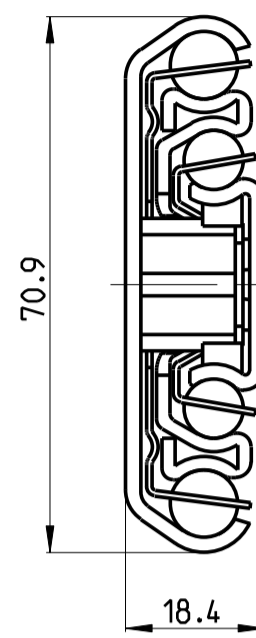


SECTION A-A

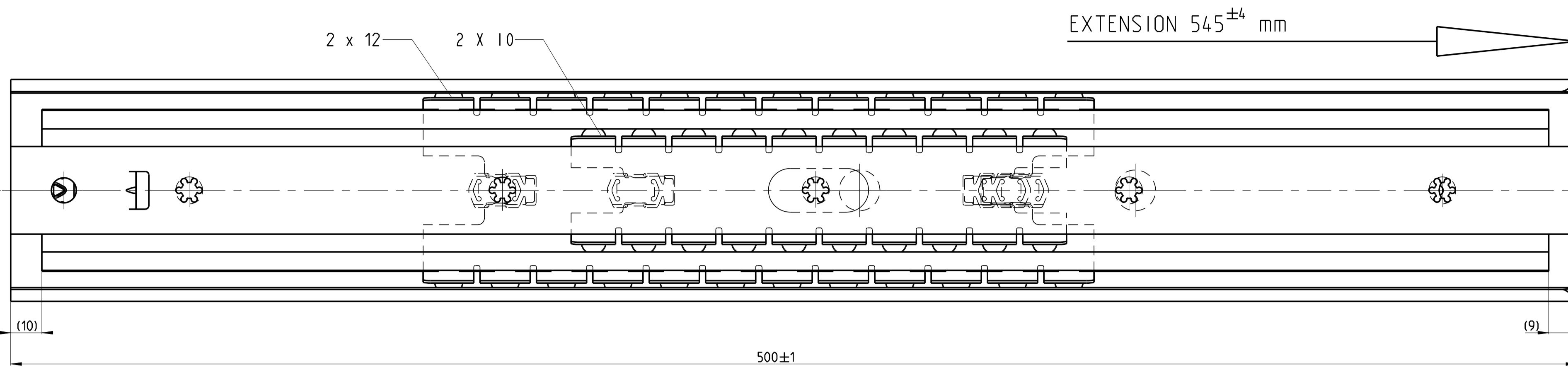


T 1-2 = 244.0  
T 2-3 = 301.0

SCALE 1:2



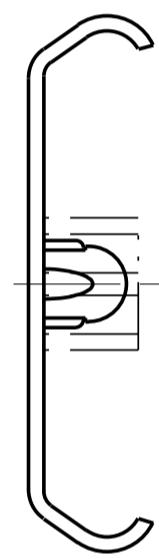
70.9  
18.4



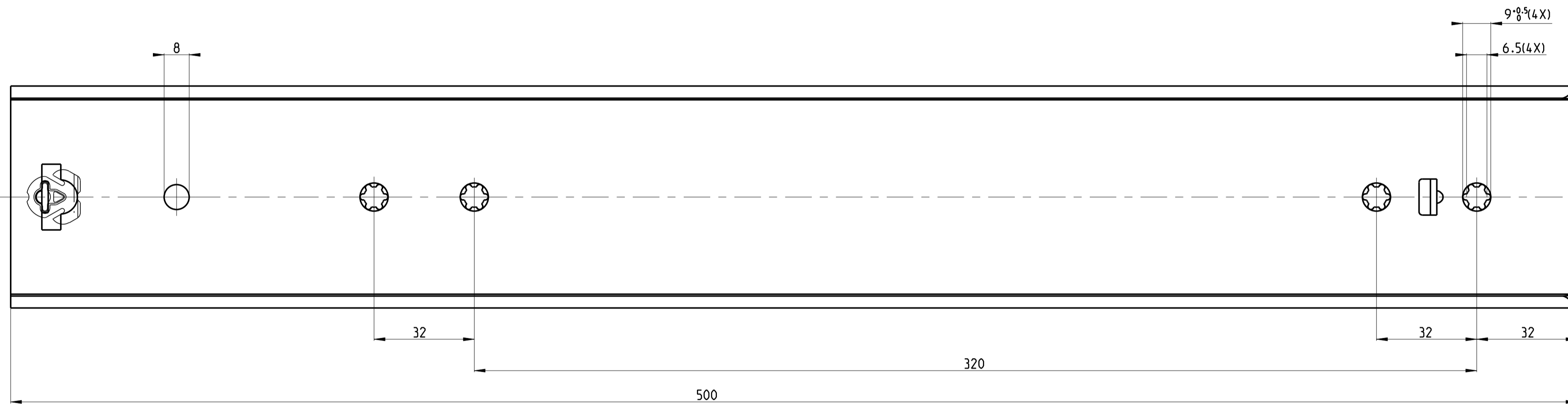
EXTENSION 545 $\pm$ 4 mm

500 $\pm$ 1

FRONT

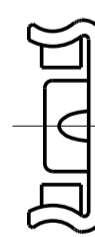


511-01-S25-TA1

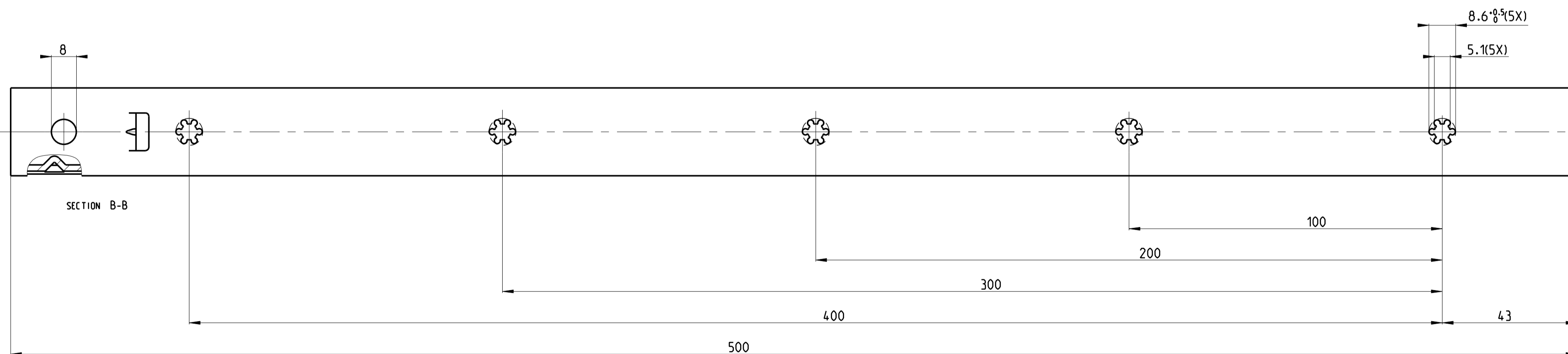


9 $\frac{3}{8}$ (4X)  
6.5(4X)

500



513-01-S25-TA3



SECTION B-B

8.6 $\frac{3}{8}$ (5X)  
5.1(5X)

500

PRO/ENGINEER Drawing Was: - 101-524-03	Dimensions between marks are guide dimensions. Tolerances unless otherwise stated $\pm$ 0.5mm.	Thomas Regout Int. B.V. reserves the right to alter non-customer specific specifications without notice.
American projection	DIMENSION mm	MAT.: -
SCALE 1:1	DATE 25-08-2011	REM.: RIGHT HAND SLIDE = LEFT HAND SLIDE
DESIGNER M. Mahieu	CHECKED -	TYPE D

TITAN 500.0 / 545.0 (18.5mm)

**THOMAS REGOUT INTERNATIONAL BV**

Drw. Nr. 101-S25 \_ 00

Format. A1

© Thomas Regout International BV All rights are reserved.

Production

04	-	-	-	05	-	-	-	06	-	-	-	-	-
01	-	-	-	02	-	-	-	03	-	-	-	-	-