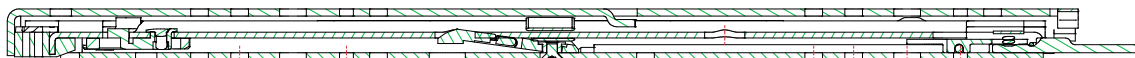
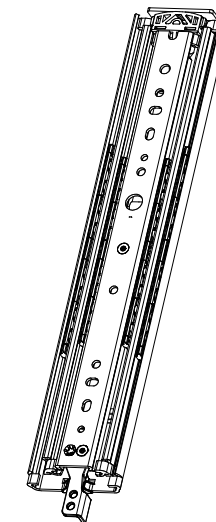
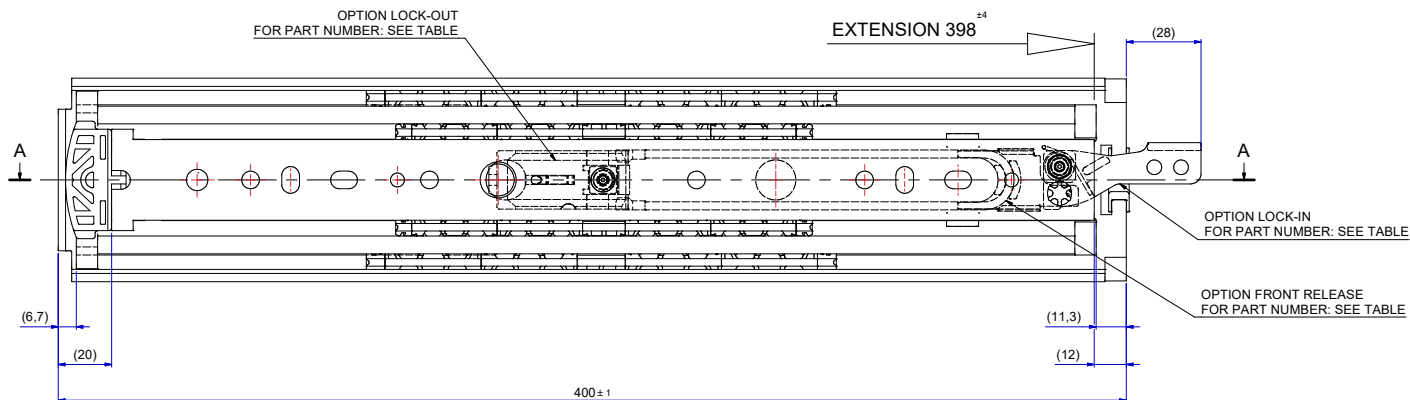
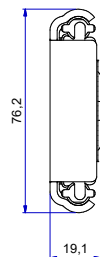


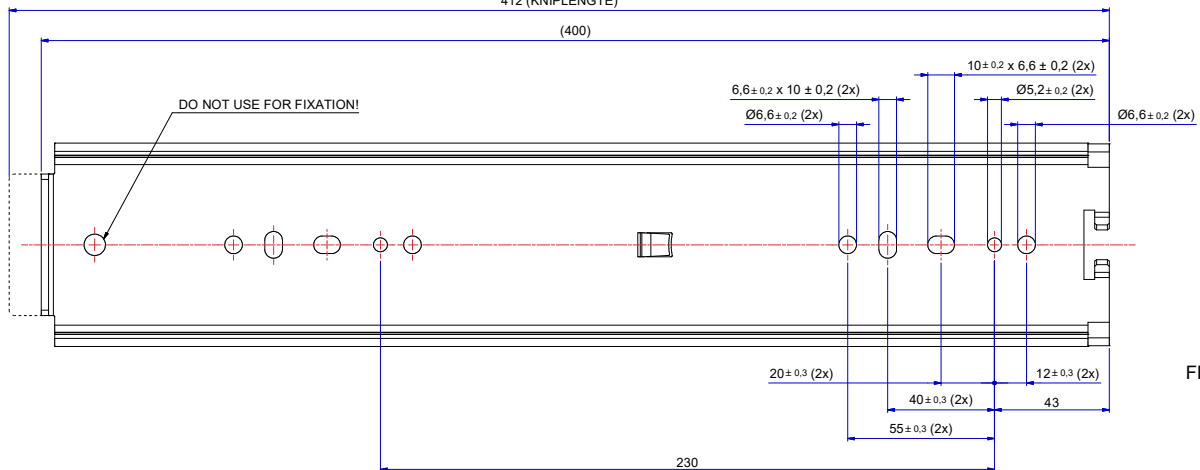
T 1-2 = 201,3  
T 2-3 = 196,7



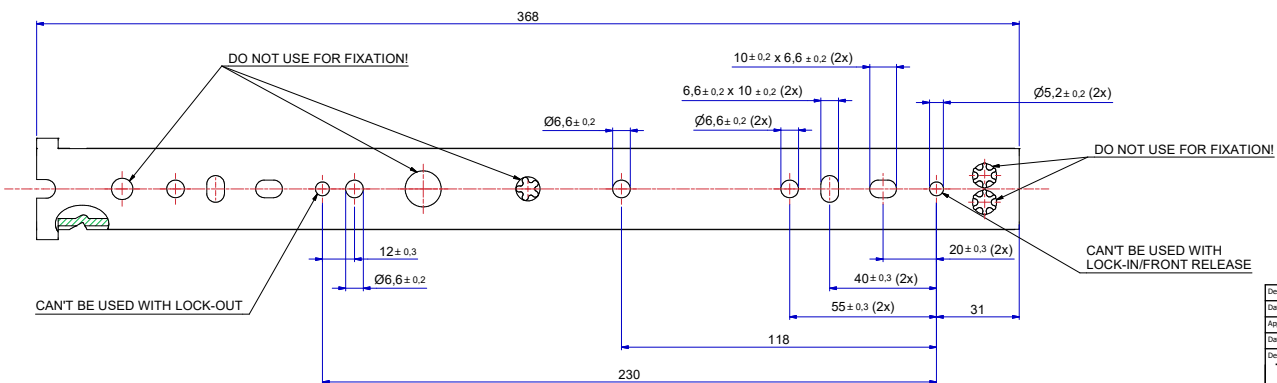
A-A (1:1)



511-14-S33-TC1



513-14-S33-TC3



SLIDE  
RIGHT HAND = LEFT HAND  
LOCK-IN/FRONT-RELEASE  
RIGHT HAND SIDE SHOWN, LEFT HAND SIDE IS MIRRORED

DIMENSIONS BETWEEN MARKS ARE GUIDE DIMENSIONS.  
THOMAS REGOUT INT. B.V. RESERVES THE RIGHT TO ALTER  
NON-CUSTOMER SPECIFIC SPECIFICATIONS WITHOUT NOTICE.

Designer	R. Cornelissen	Gen.Tol.Dim.	± 0,5	Third angle projection	Material
Date	11-2-2021	Gen.Tol.Angle	± 0,5		Treatment
Approver		Gen.Roughness	Ra		Draw type: Fabrication
Date		Units	mm/deg.	Scale	1 : 1 Type
Description		TR7619 400 / 398 (19,1mm)		Model No. E000012303	

Released for Production

Format	A1	STANDARD	114S33	LOCK-IN	114S33A	LOCK-OUT	114S33B	LOCK-IN & LOCK-OUT & FRONT-RELEASE	114S33C	Item No.	114-S33	Revision	00
© THOMAS REGOUT INTERNATIONAL B.V., Industrieweg 40, 6219 NR, Maastricht, The Netherlands, +31 (0)43 351 66 66 All rights are reserved.													