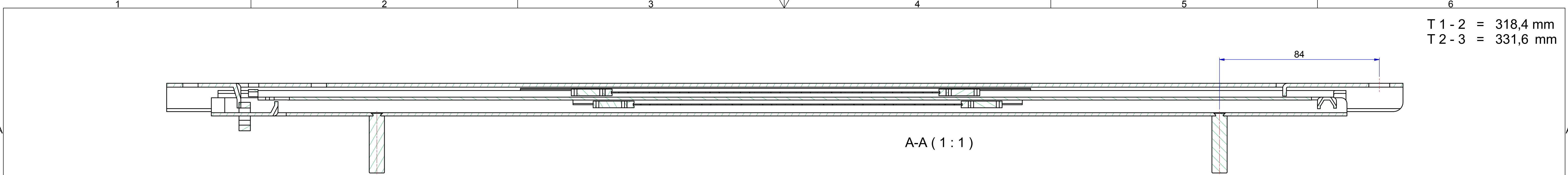
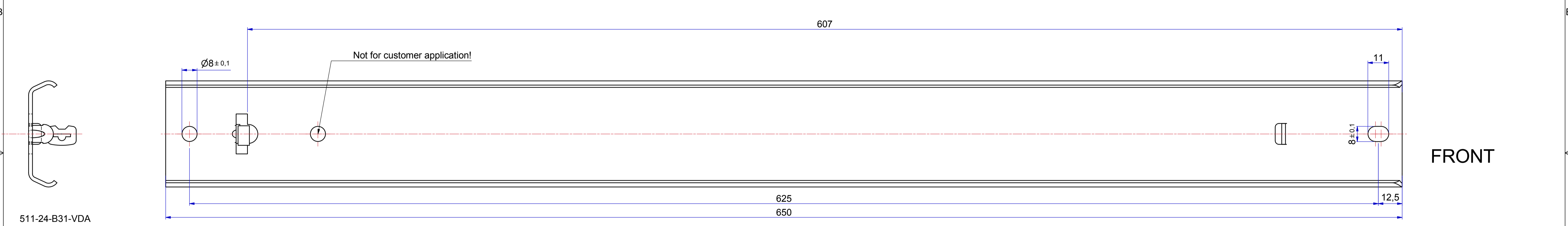
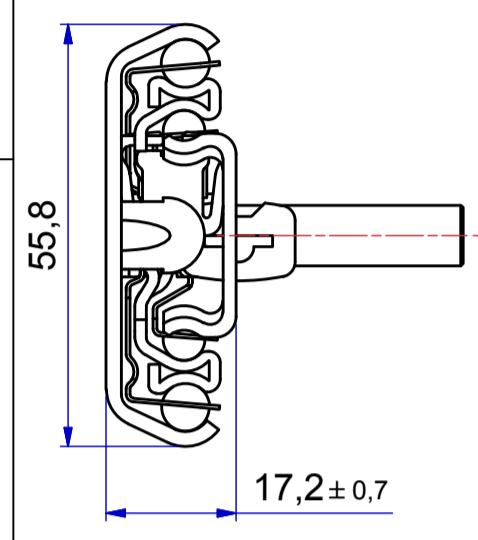
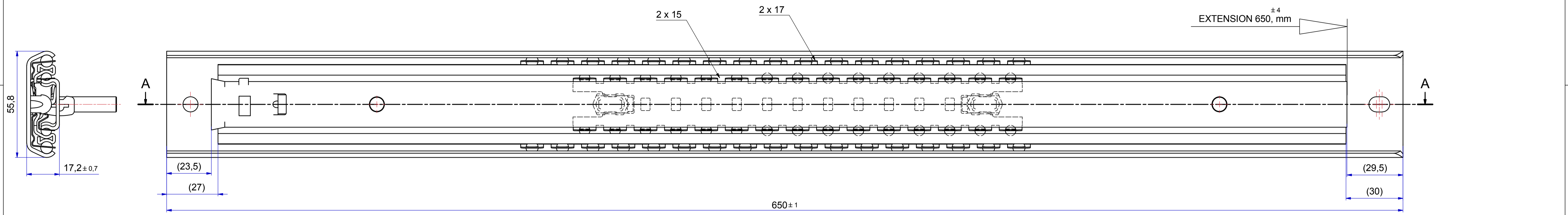


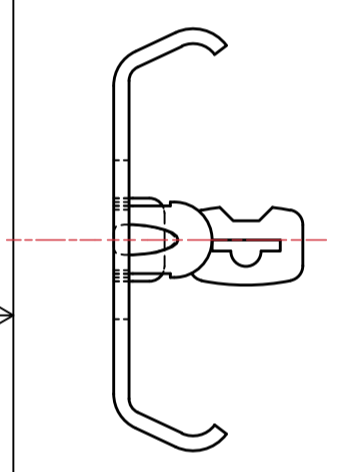
T 1 - 2 = 318,4 mm
T 2 - 3 = 331,6 mm



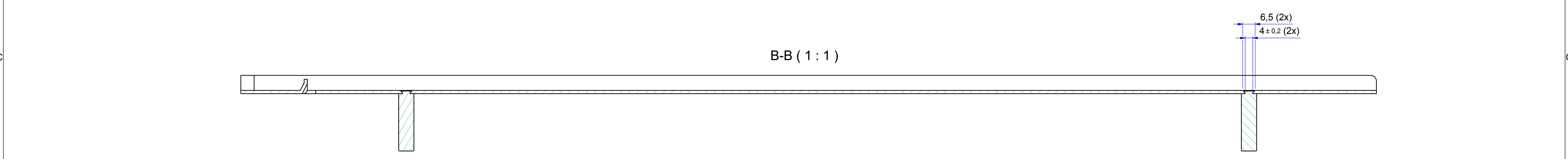
A-A (1:1)



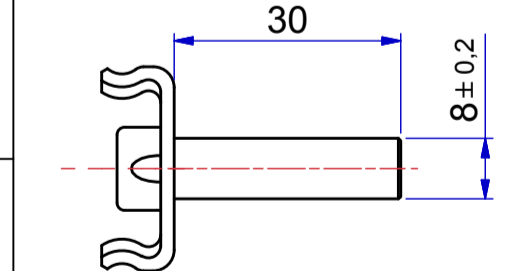
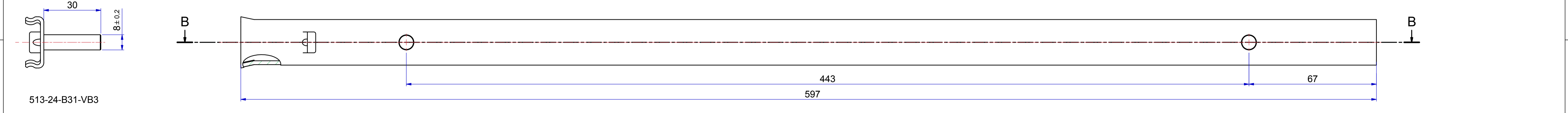
FRONT



511-24-B31-VDA



B-B (1:1)



513-24-B31-VB3

Right hand slide = Left hand slide.

MAX OUTSTOP FORCE AT 1m/s = 490N

Dimensions between marks are guide dimensions.

Thomas Regout Int. B.V. reserves the right to alter non-customer specific specifications without notice.

Released for Production

Designer J. Schreurs	Gen.Tol.Dim. ± 0,5	Third angle projection	Material
Date 29-4-2015	Gen.Tol.Angle ± 0,5		Treatment
Approver	Gen.Roughness Ra		Draw type Fabrication
Date	Units mm/deg.	Scale 1:1	Type
Description		Model No. E000029918	
ULF HD SV 650.0 / 650.0 (17,2mm)		Released for Production	
Format A1	THOMAS REGOUT INTERNATIONAL B.V.	Item No. 124-B31	Revision 01
© THOMAS REGOUT INTERNATIONAL BV, Industrieweg 40, 6219 NR, Maastricht, The Netherlands, +31 (0)43 351 66 66 All rights are reserved.			

1	19-6-2015	EXTENSION MODIFIED 650/690=> 650/650	JEAN
Re	Date	Description	Designer