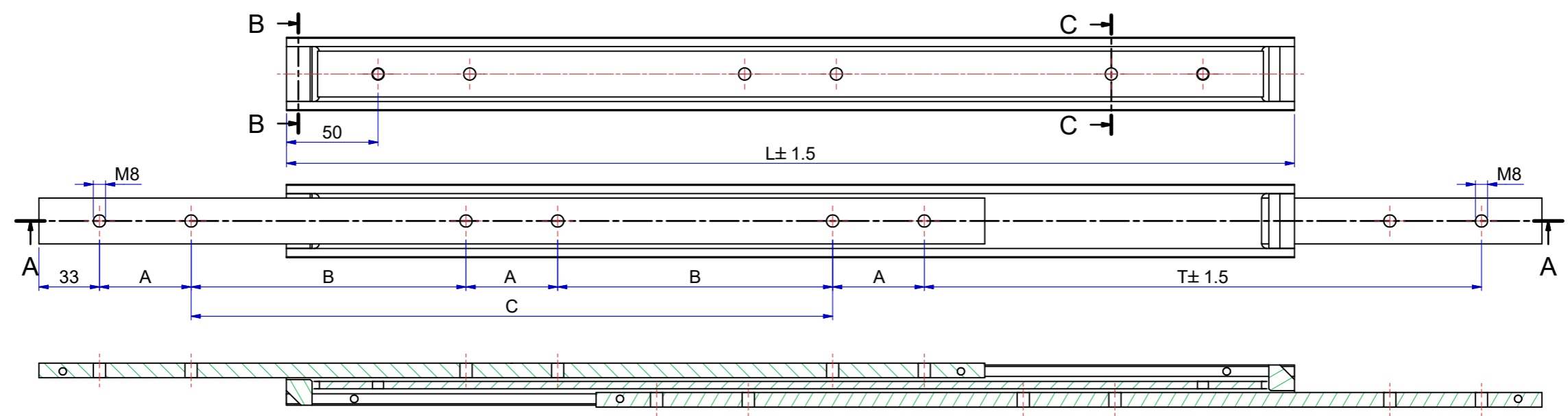
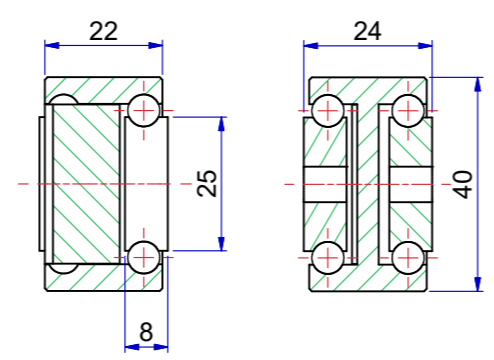


Slide number	Installation length L (mm)	Travel T (mm)	Load per pair (kg) steel	Load per pair (kg) aluminum	Dimension A	Dimension B	Dimension C
13840S01B	200	200	270	85	50	-	-
13840S02B	250	250	280	90	50	-	50
13840S03B	300	300	290	95	50	-	100
13840S04B	350	350	300	100	50	-	150
13840S05B	400	400	310	105	50	-	200
13840S06B	450	450	320	110	50	-	250
13840S07B	500	500	330	115	50	-	300
13840S08B	550	550	350	120	50	150	-
13840S09B	600	600	340	125	50	175	-
13840S10B	650	650	320	120	50	200	-
13840S11B	700	700	300	115	50	225	-
13840S12B	750	750	290	110	50	250	-
13840S13B	800	800	280	105	50	275	-
13840S14B	850	850	270	100	50	300	-
13840S15B	900	900	250	95	50	325	-
13840S16B	950	950	230	90	50	350	-
13840S17B	1000	1000	220	85	50	375	-
13840S18B	1050	1050	210	80	50	400	-
13840S19B	1100	1100	200	75	50	425	-
13840S20B	1150	1150	190	70	50	450	-
13840S21B	1200	1200	180	65	50	475	-

MATERIAL	ITEM NUMBER
STEEL	13840-SxxB
ALUMINIUM	13840-Sxx7B



A-A (1 : 2)



B-B (1 : 1) C-C (1 : 1)

The load capacities are based on a 1% deflection test based on a simulation model (Finite Element Analysis)
 Load capacity in practice always depends on mounting use and other external factors that can influence this.
 Tolerance ± 0,5mm measured from reference point.

Designer M.Urlings	Gen.Tol.Dim. ± 0.5	Third angle projection	Material	
Date 19-7-2018	Gen.Tol.Angle ± 0.5		Treatment	
Approver	Gen.Roughness Ra		Draw type Fabrication	Doc.No. E000147821
Date	Units mm/deg.		Scale 1 : 2	Type
Description SUPREME TR4024 - (24) BILEX				
Format A2			Item No. 13840SxxB	Revision 01
© THOMAS REGOUT INTERNATIONAL BV, Industrieweg 40, 6219 NR, Maastricht, The Netherlands, +31 (0)43 351 66 66 All rights are reserved.				

Rev	Date	Description	Designer
01	12-5-2023	REVISED MODEL AND TABLE.	R.G