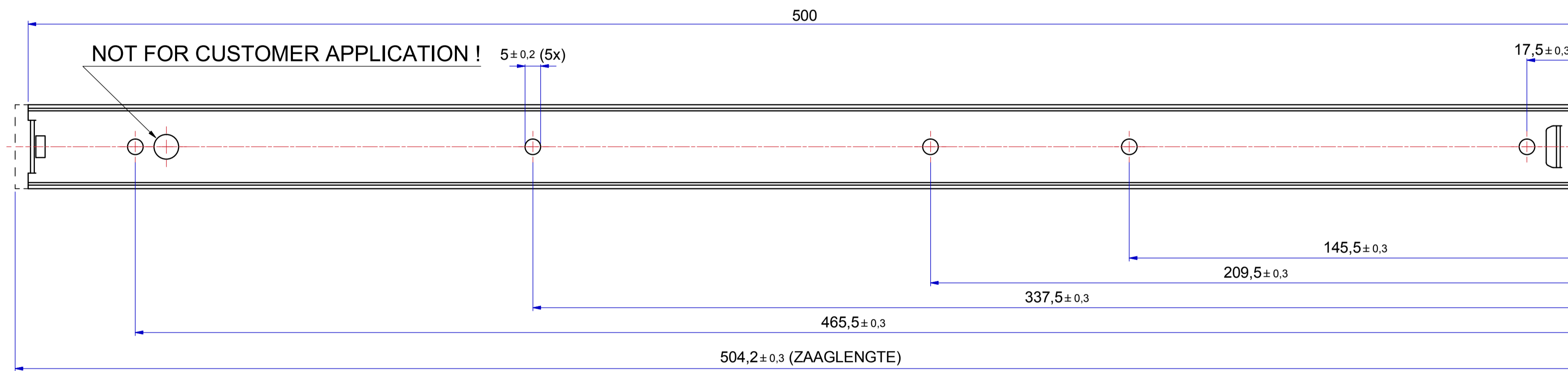
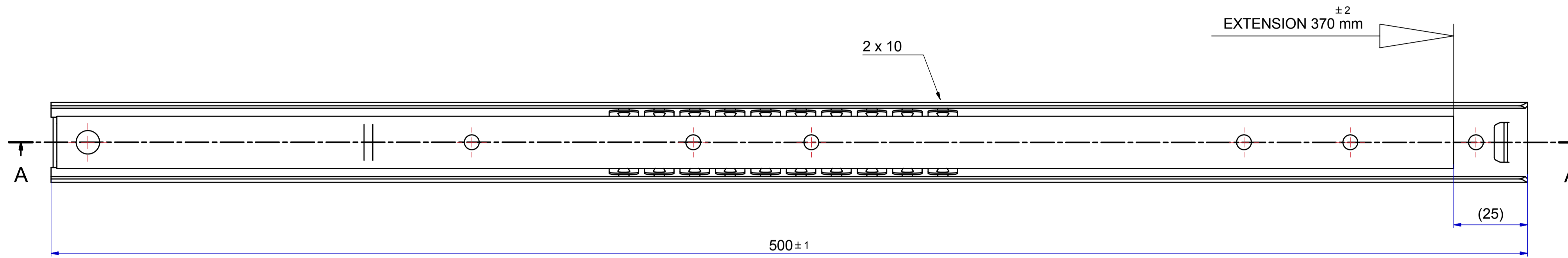
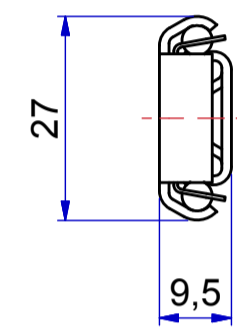
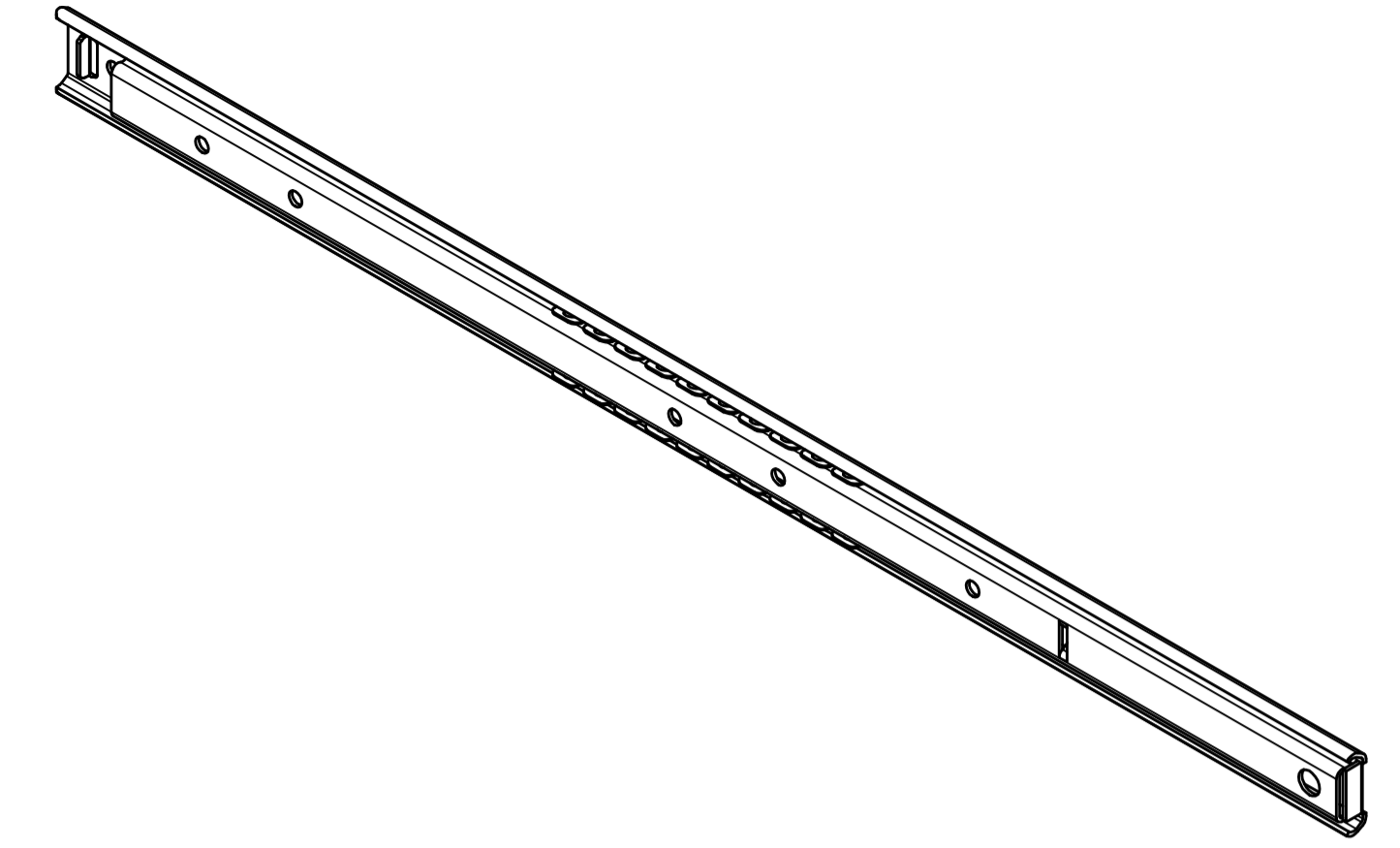
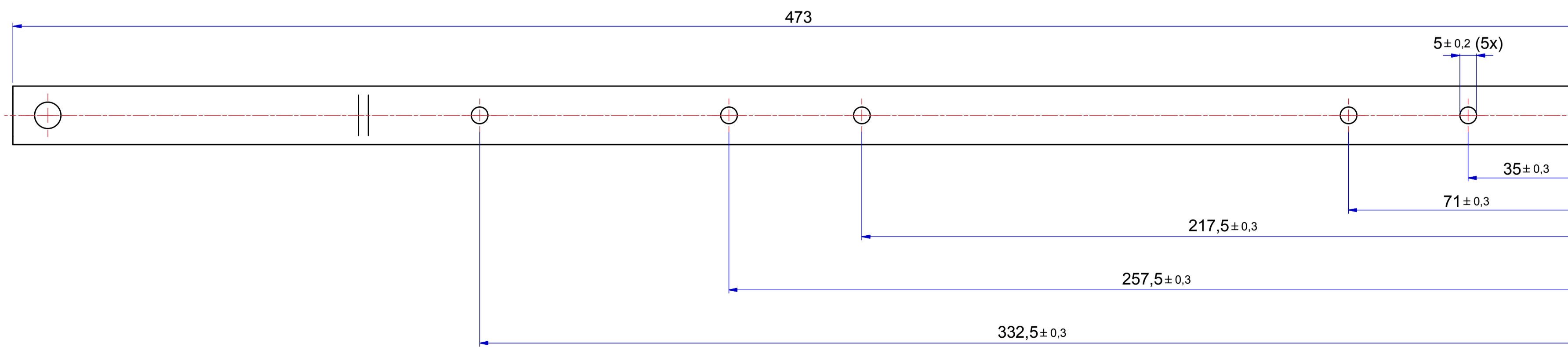


T 1 - 2 = 370,0 mm

A-A (1:1)



511-09-46-EMS1



513-09-46-EMS2

Right hand slide = Left hand slide.  
 Dimensions between marks are guide dimensions.  
 Thomas Regout Int. B.V. reserves the right to alter non-customer specific specifications without notice.

**Released for Production**

02	03-06-15	GETEKEND IN INVENTOR	W.Jans
02	30-01-97	ZAAGLENGTE EMS1 505 7 -> 504 2	AN
01	21-08-90	SENZIMIR LOOPWERK WORDT GALVANISCH VERZINKT LOOPWERK	RH
Rev	Date	Description	Designer
Designer	J.Schreurs	Gen.Tol.Dim. ± 0.5	Material
Date	10-4-1984	Gen.Tol.Angle ± 0.5	Treatment
Approver		Gen.Roughness Ra	Draw type Fabrication
Date		Units mm/deg.	Scale 1 : 1
Description		Released for Production	
EMS STANDAARD 500.0 / 370.0 (9,5mm)		Item No.	Revision
Format	A1	THOMAS REGOUT INTERNATIONAL B.V.	109-046 02
© THOMAS REGOUT INTERNATIONAL BV, Industrieweg 40, 6219 NR, Maastricht, The Netherlands, +31 (0)43 351 66 66 All rights are reserved.			