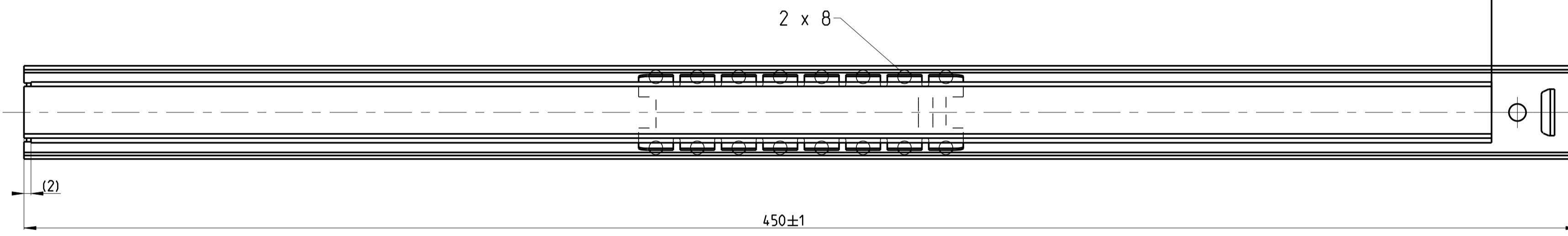
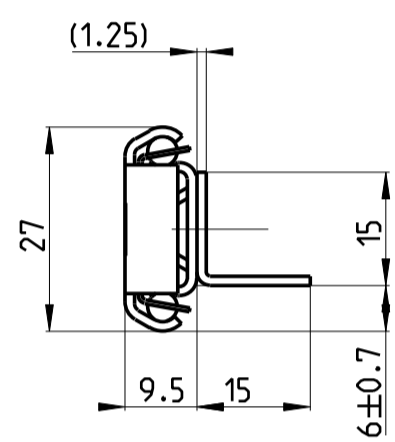
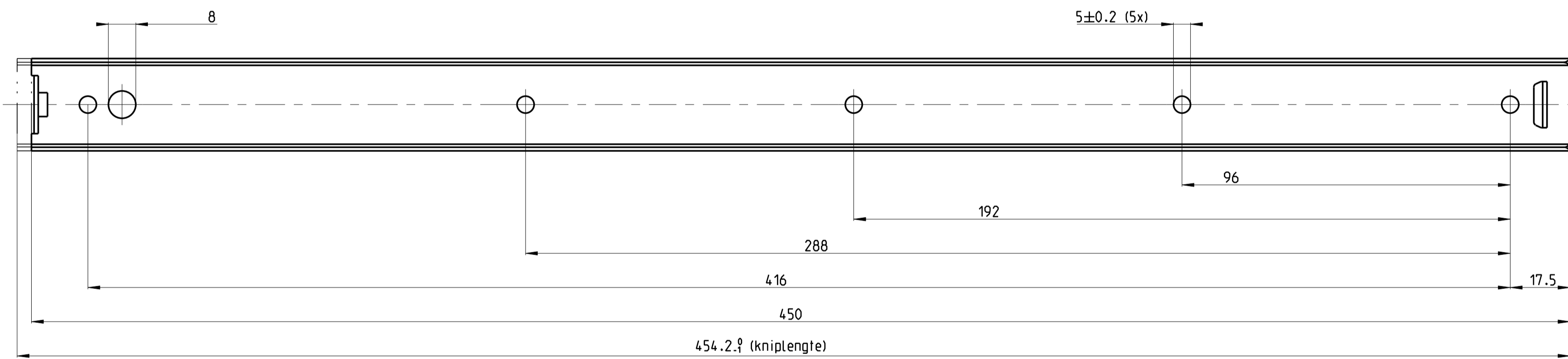


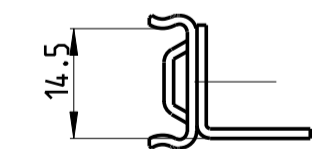
EXTENSION 340.0 ±2 mm



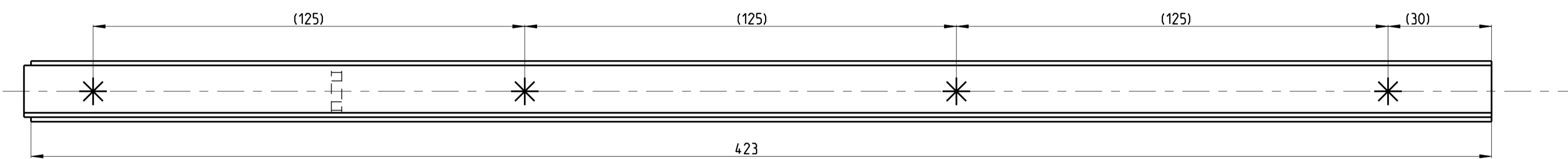
FRONT



511-09-052-EMS1



513-09-052-EMS2



PRO/ENGINEER Drawing	Dimensions between marks are guide dimensions. Tolerances unless otherwise stated ±0.5mm.	Thomas Regout Int. B.V. reserves the right to alter non-customer specific specifications without notice.
Was: - -		
American projection	DIMENSION mm	MAT.: -
	SCALE 1:1	REM.: Right hand slide is shown part
	DATE 07-03-2007	Left hand slide is opposite part
	DESIGNER J. Schreurs	-
	CHECKED -	Type 2

EMS 450.0 / 340.0 (9,5mm)

THOMAS REGOUT INTERNATIONAL BV

Drw. Nr. 109-052 _ 03 Format. A1

© Thomas Regout International BV All rights are reserved.

Production

04	-	-	05	-	-	-	06	-	-	-	-	-	-	-	-	-	-
01	30-08-90	SENZ ==> GALV.	RB	INT	02	30-01-97	ZAAGLENGTE EMS-1 455.7 ==> 454.2	AN	INT	03	22-05-07	PROJECTIES UIT LAEDRAGER VERWIJDERD	JS	INT			