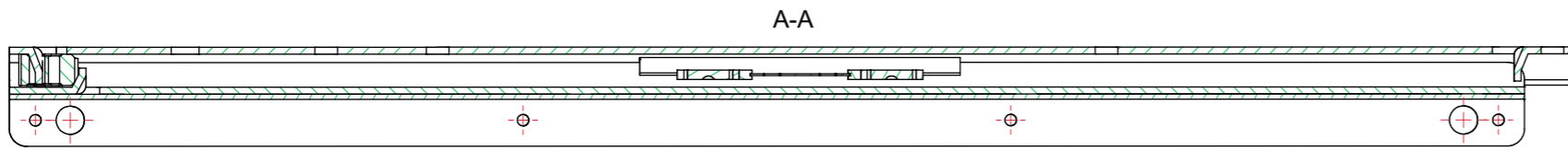
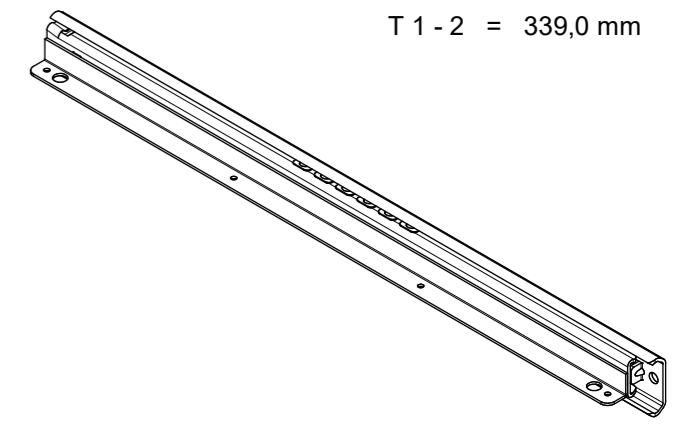
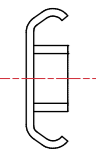
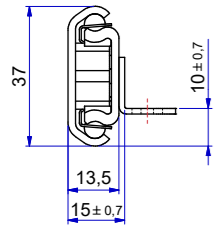
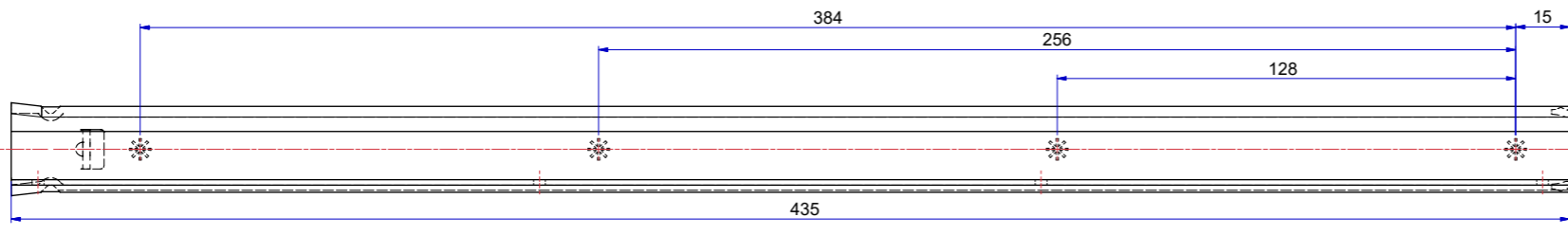
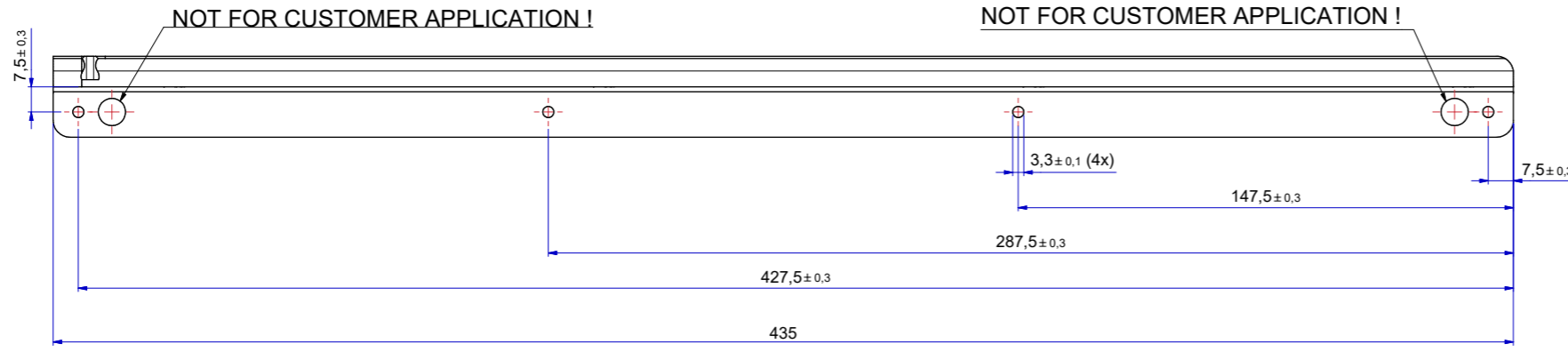
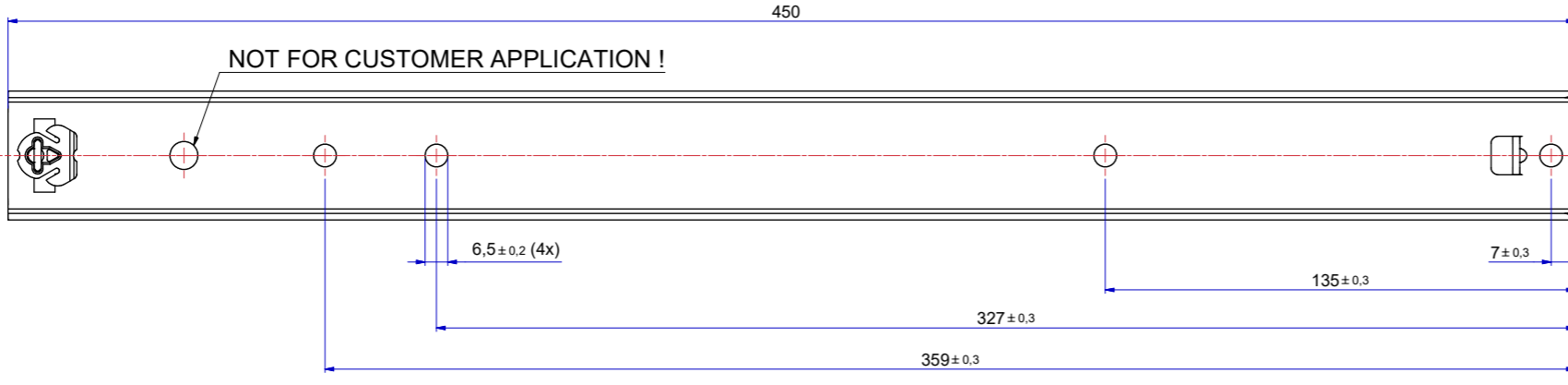
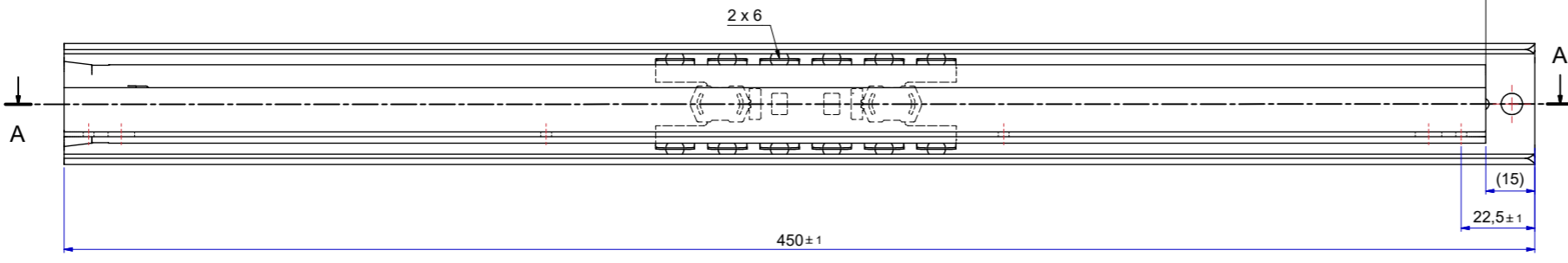


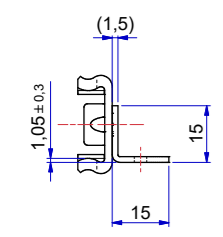
T 1 - 2 = 339,0 mm



EXTENSION ± 2
339 mm



511-07-242-FA1



513-07-242-FA2

Right hand slide is shown part,
Left hand slide is opposite part.

Dimensions between marks are guide dimensions.

Thomas Regout Int. B.V. reserves the right to alter
non-customer specific specifications without notice.

Released for Production

Designer J.Bastings	Gen.Tol.Dim. $\pm 0,5$	Third angle projection	Material
Date 15-6-2015	Gen.Tol.Angle $\pm 0,5$		Treatment
Approver	Gen.Roughness Ra		Draw type Fabrication
Date	Units mm/deg.	Scale 1 : 1	Type
Description		Model No. E000031987	
FINN 450 / 339 (13,5mm)		Released for Production	
Format A1	THOMAS REGOUT INTERNATIONAL B.V.	Item No. 107242	Revision 00
© THOMAS REGOUT INTERNATIONAL BV, Industrieweg 40, 6219 NR, Maastricht, The Netherlands, +31 (0)43 351 66 66 All rights are reserved.			

00	15-06-2015	GETEREND IN INVENTOR, LASPUNTEN	W.Jans
Rev	Date	Description	Designer