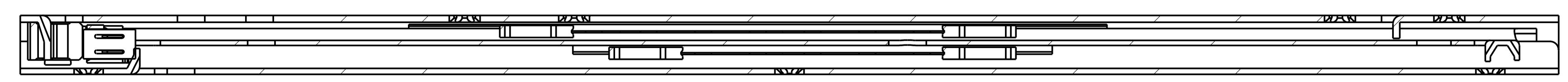
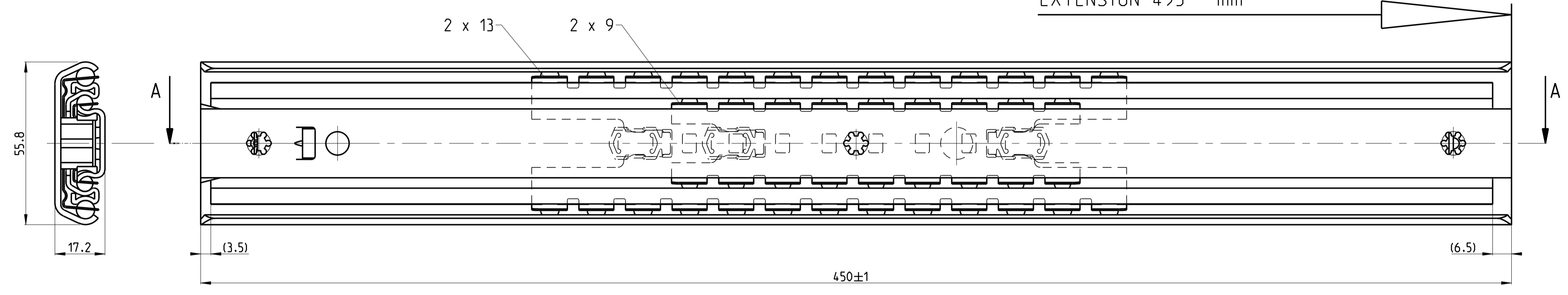


1 2 3 4 5 6 7 8 9 10 11 12 13 14 15 16 17 18 19 20

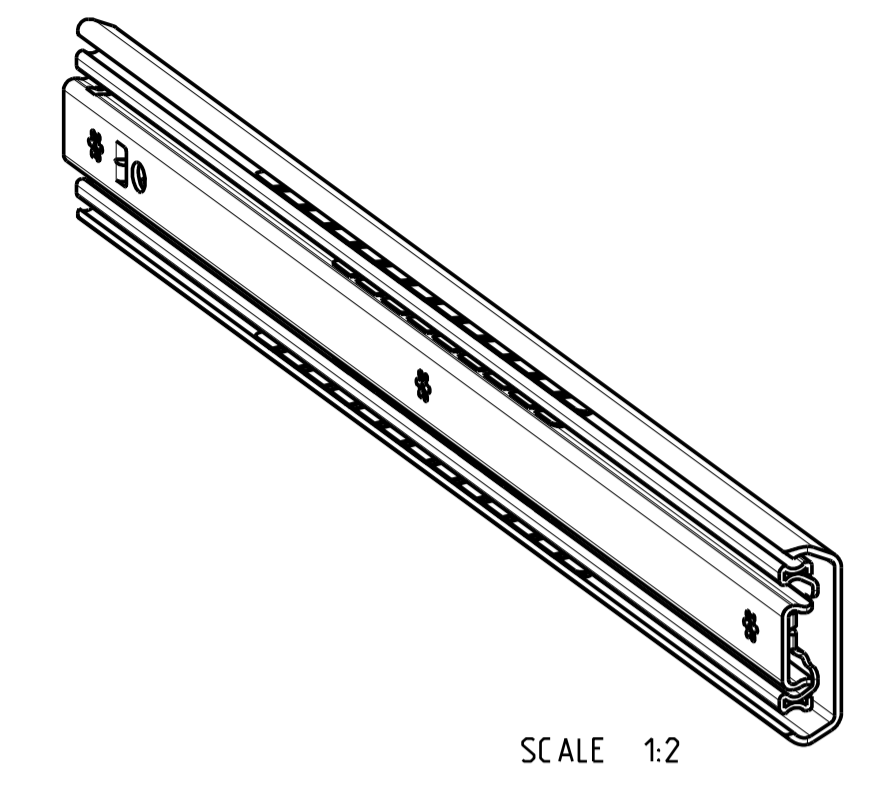
T 1-2 = 220.5
T 2-3 = 274.5



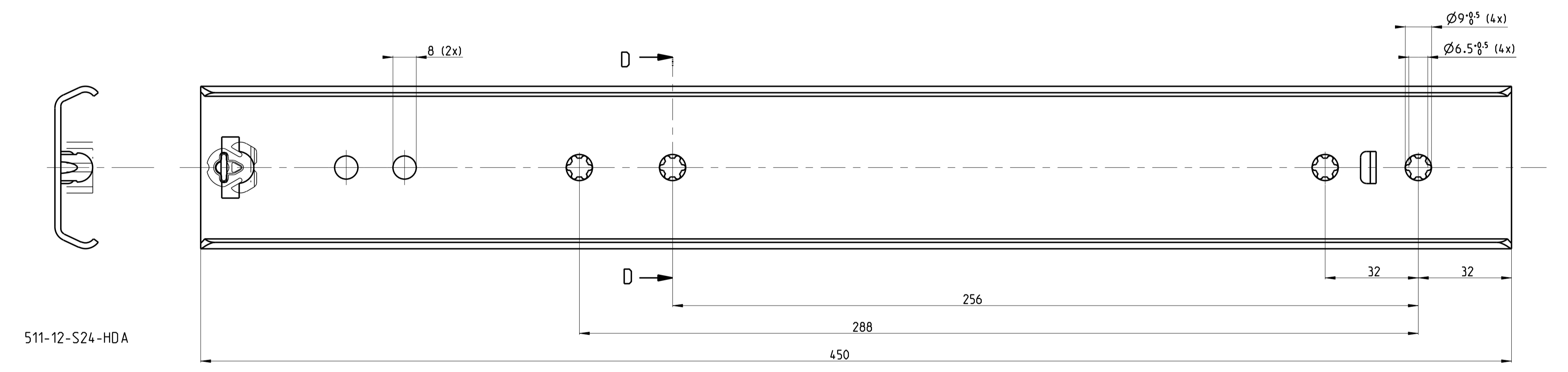
SECTION A-A



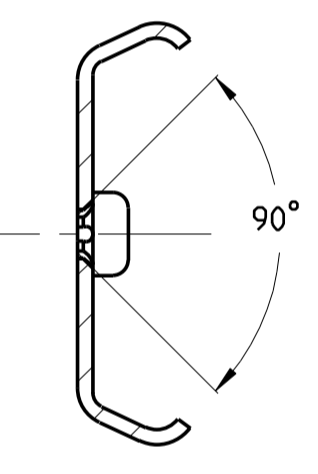
FRONT



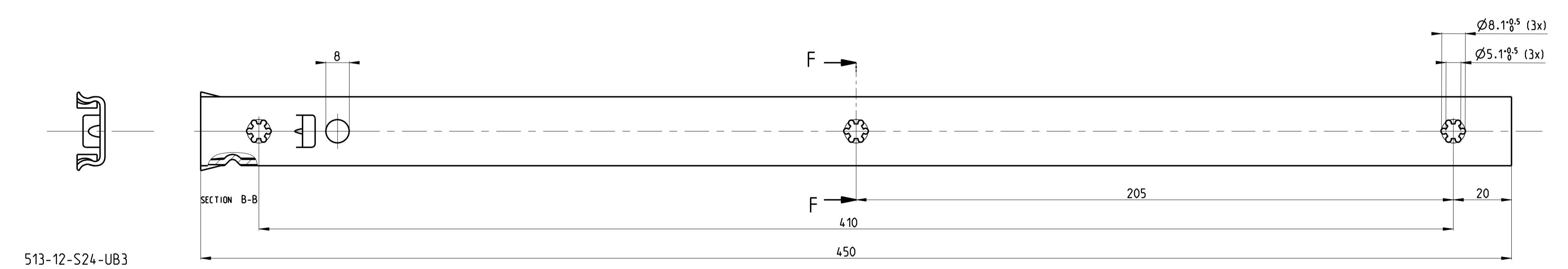
SCALE 1:2



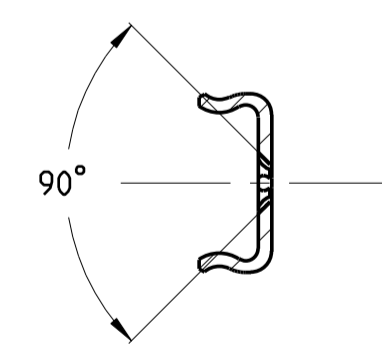
511-12-S24-HDA



SECTION D-D



513-12-S24-UB3



SECTION F-F

PRO/ENGINEER Drawing Was: - 112-F58-00	Dimensions between marks are guide dimensions. Tolerances unless otherwise stated ±0.5mm.	Thomas Regout Int. B.V. reserves the right to alter non-customer specific specifications without notice.
American projection	DIMENSION mm	MAT.: -
SCALE 1:1	DATE 24-05-2006	REM.: Right hand slide = left hand slide.
DESIGNER M. Mahieu	CHECKED -	Type D
ULF HD 450,0 / 495,0 (17,2mm)		
THOMAS REGOUT INTERNATIONAL BV		Drw. Nr. 112-S24 _ 00
© Thomas Regout International BV All rights are reserved.		Format. A1 Production

04	-	-	-	05	-	-	-	06	-	-	-	-	-
01	-	-	-	02	-	-	-	03	-	-	-	-	-