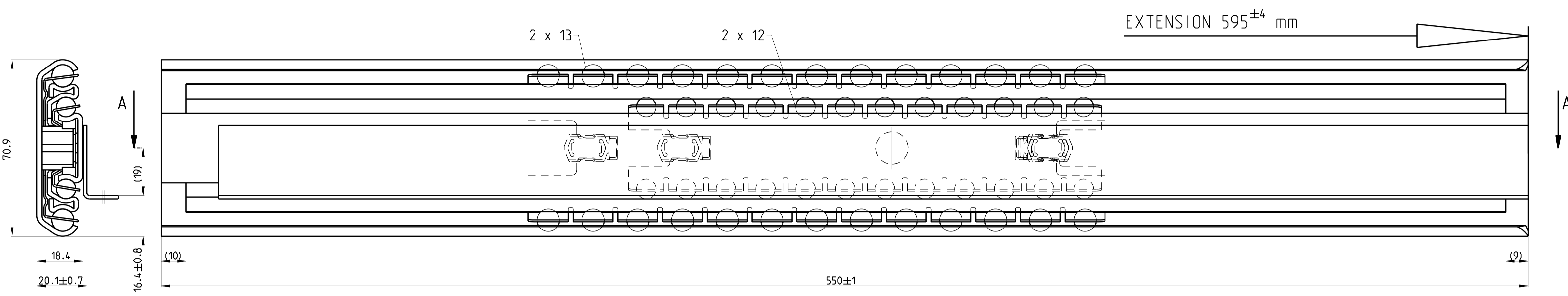
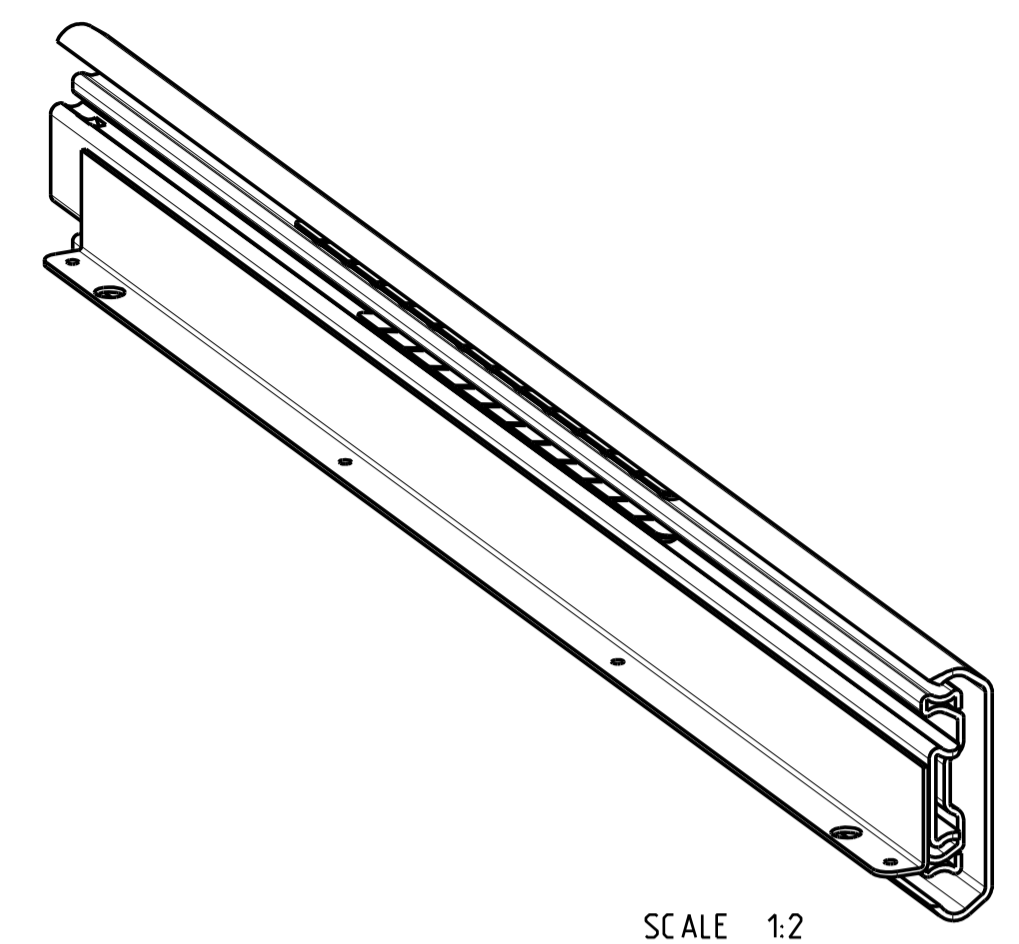
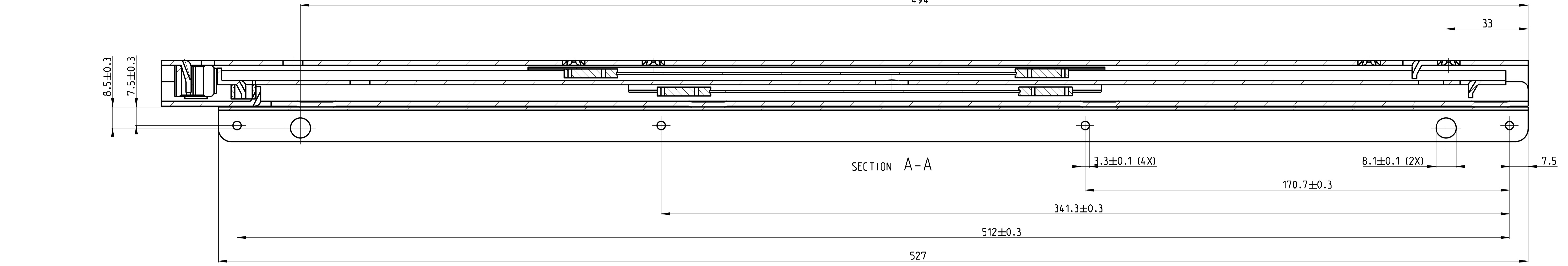
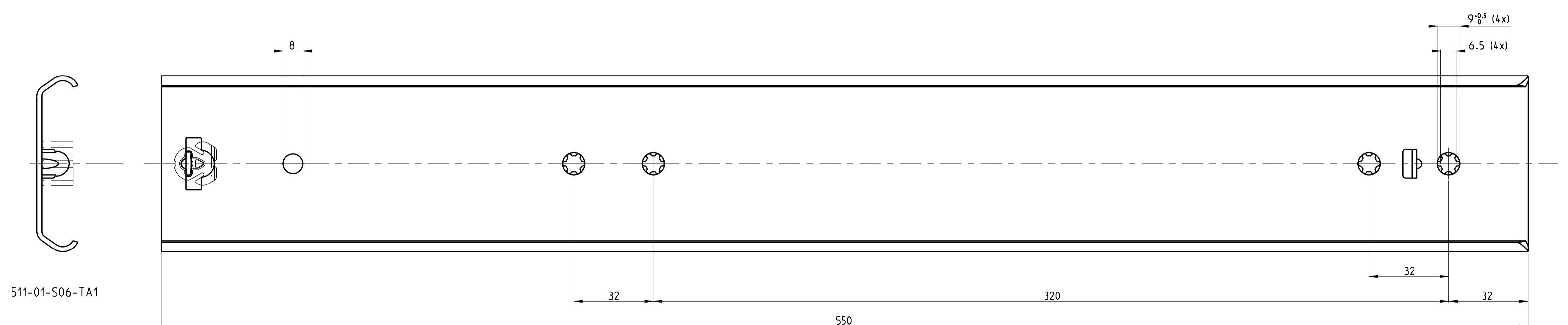


1 2 3 4 5 6 7 8 9 10 11 12 13 14 15 16 17 18 19 20

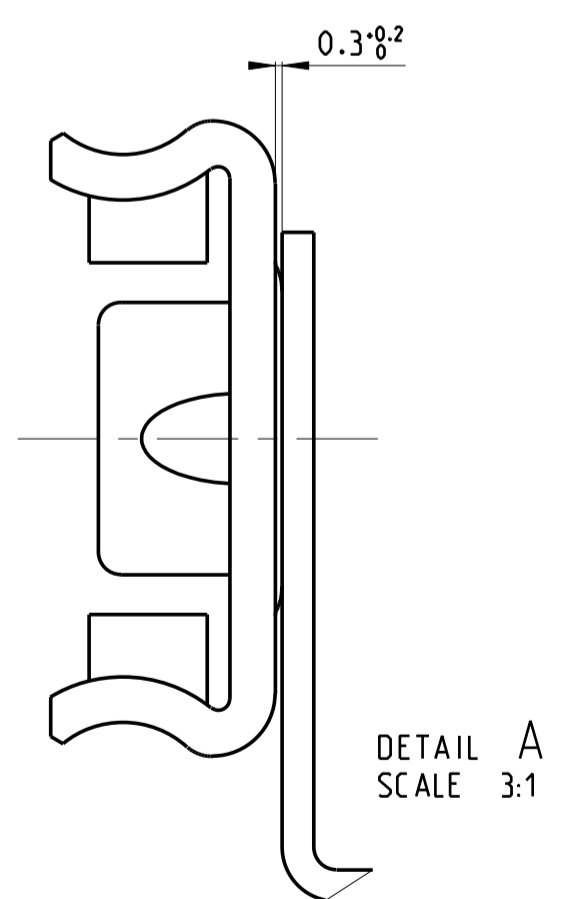
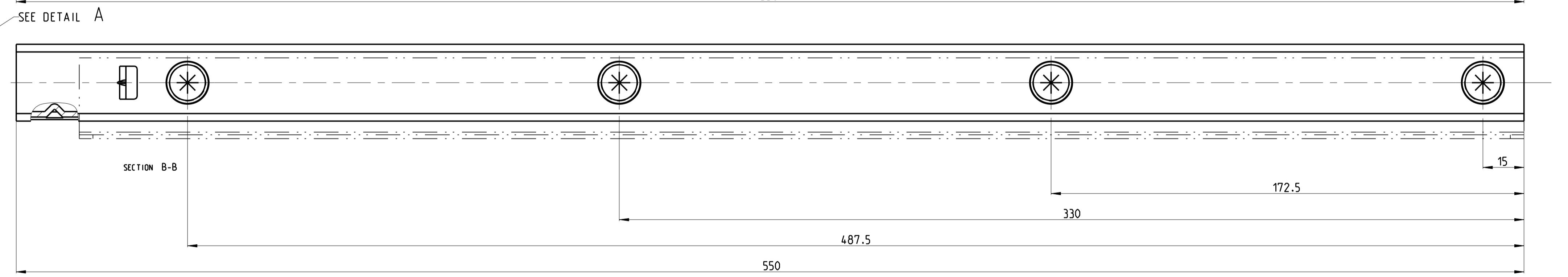
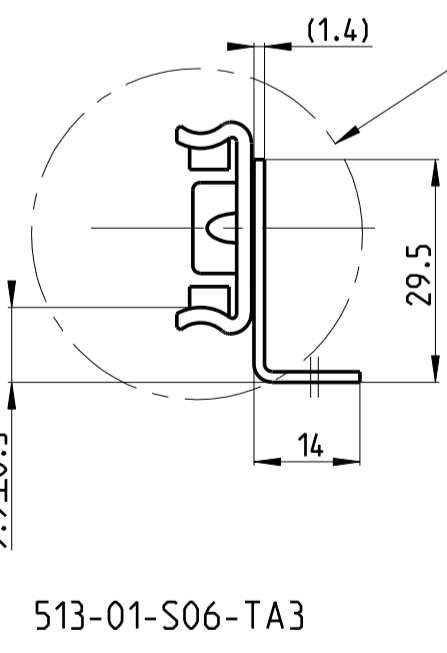
T 1-2 = 276.0
T 2-3 = 319.0



FRONT



511-01-S06-TA1



DETAIL A
SCALE 3:1

PRO/ENGINEER Drawing Was: -	Dimensions between marks are guide dimensions. Tolerances unless otherwise stated ±0.5mm.	Thomas Regout Int. B.V. reserves the right to alter non-customer specific specifications without notice.
American projection	DIMENSION SCALE 1:1 DATE 27-09-2011 DESIGNER R. Groen CHECKED -	MAT.: - REM.: RIGHT HAND SLIDE IS SHOWN PART. LEFT HAND SLIDE IS OPPOSITE PART. TYPE B
TITAN 550.0 / 595.0 (18,5mm)		
THOMAS REGOUT INTERNATIONAL BV		Drw. Nr. 101-S06 _ 00 Format. A1
© Thomas Regout International BV All rights are reserved.		Production

04	-	-	-	05	-	-	-	06	-	-	-	-	-
01	-	-	-	02	-	-	-	03	-	-	-	-	-