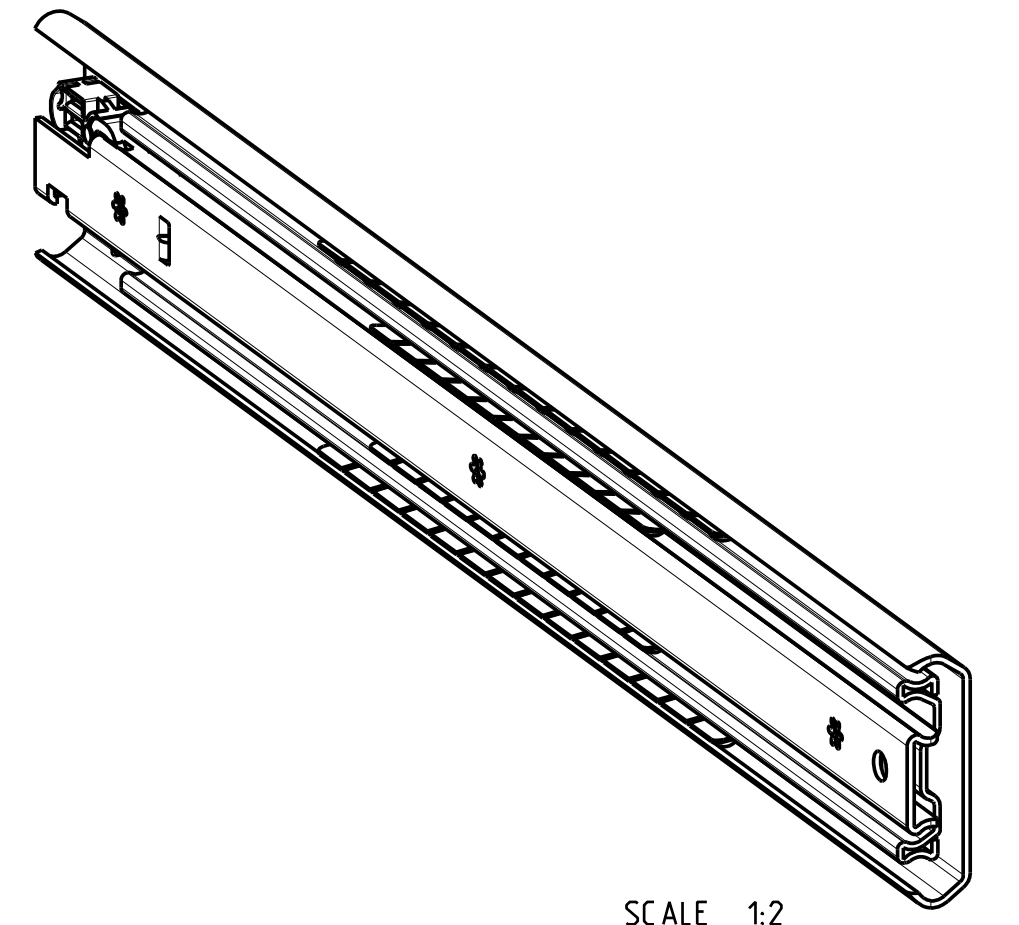
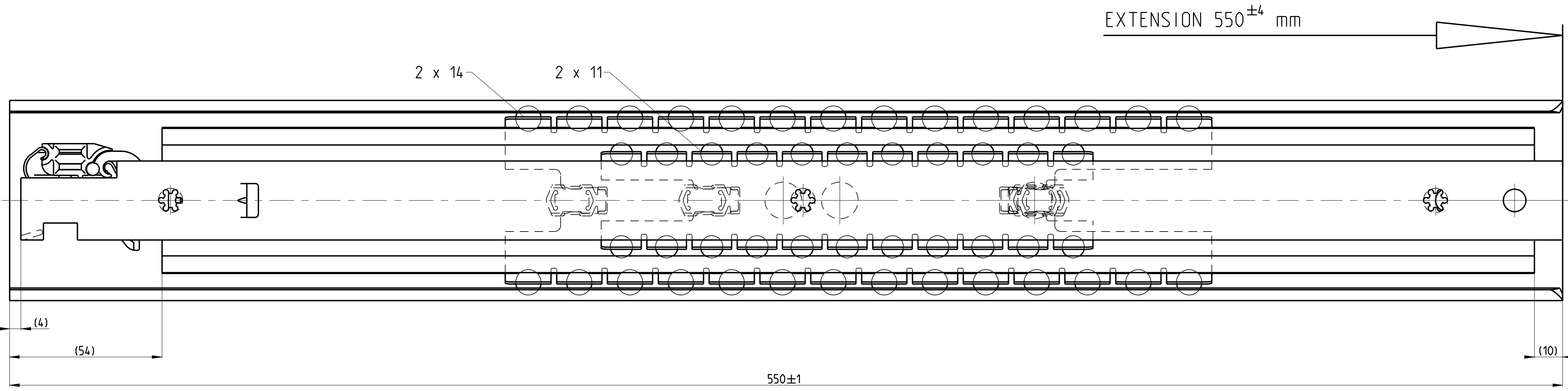
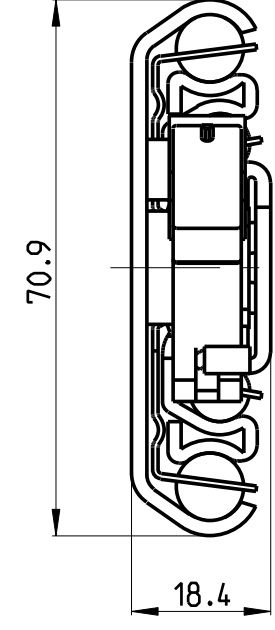


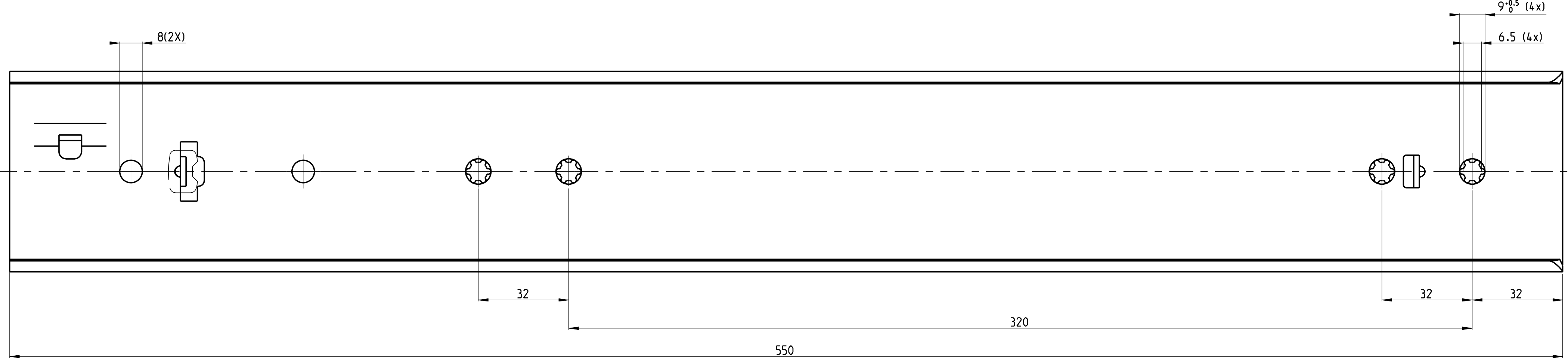
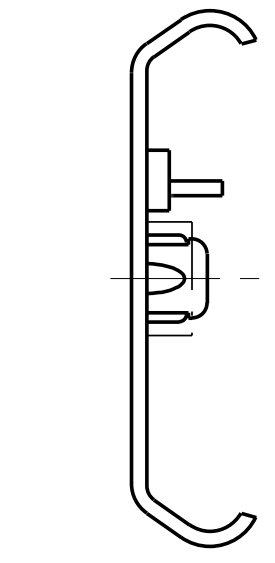
SECTION A-A

T 1-2 = 244.0  
T 2-3 = 306.0

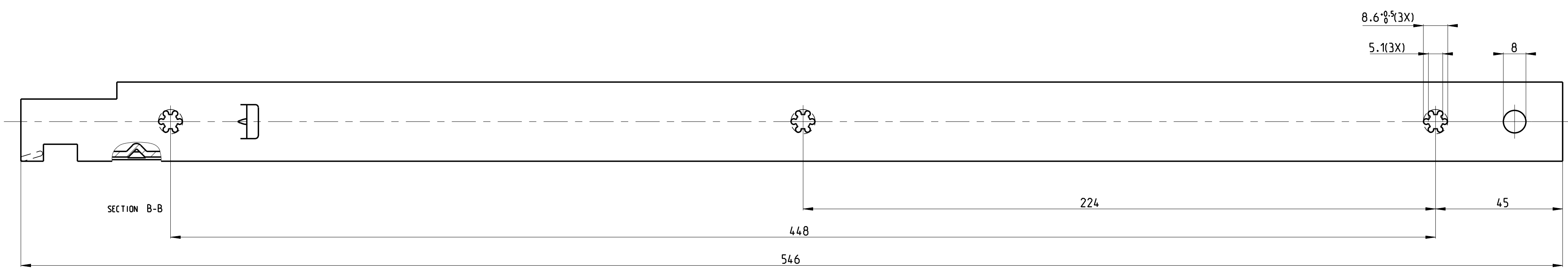
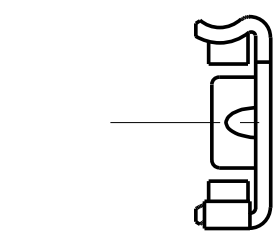


SCALE 1:2

FRONT



511-01-S66-TA1



513-01-S66-TA3

SECTION B-B

PRO/ENGINEER Drawing		Dimensions between marks are guide dimensions.		Thomas Regout Int. B.V. reserves the right to alter non-customer specific specifications without notice.	
Was: - 101-F96-02		Tolerances unless otherwise stated ±0.5mm.			
American projection	DIMENSION	mm	MAT.:	-	
	SCALE	1:1	REM.:	RIGHT HAND SLIDE = LEFT HAND SLIDE	
	DATE	27-10-2011			
	DESIGNER	M. Mahieu			
	CHECKED	-		Type F	
TITAN 550.0 / 550.0 (18,5mm)					
THOMAS REGOUT INTERNATIONAL BV			Drw. Nr.	Format.	
			101-S66 _ 00	A1	
© Thomas Regout International BV All rights are reserved. Production					

04	-	-	05	-	-	-	-	06	-	-	-	-
01	-	-	02	-	-	-	-	03	-	-	-	-