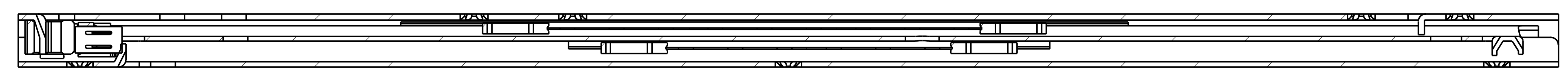
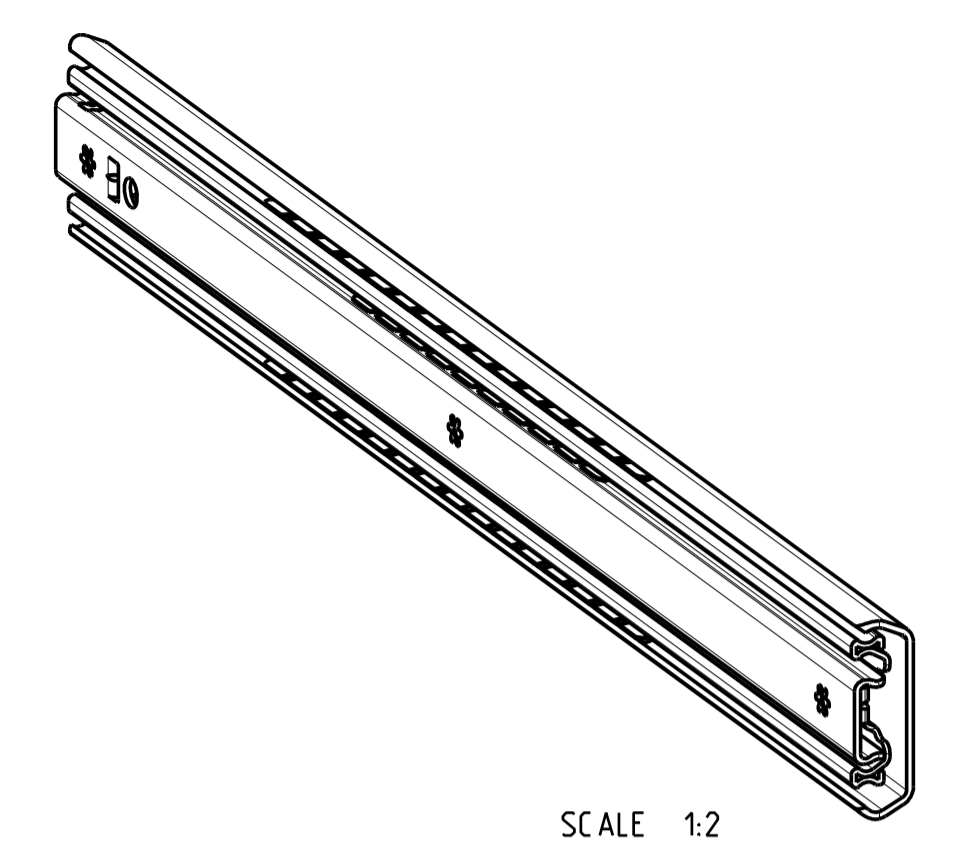
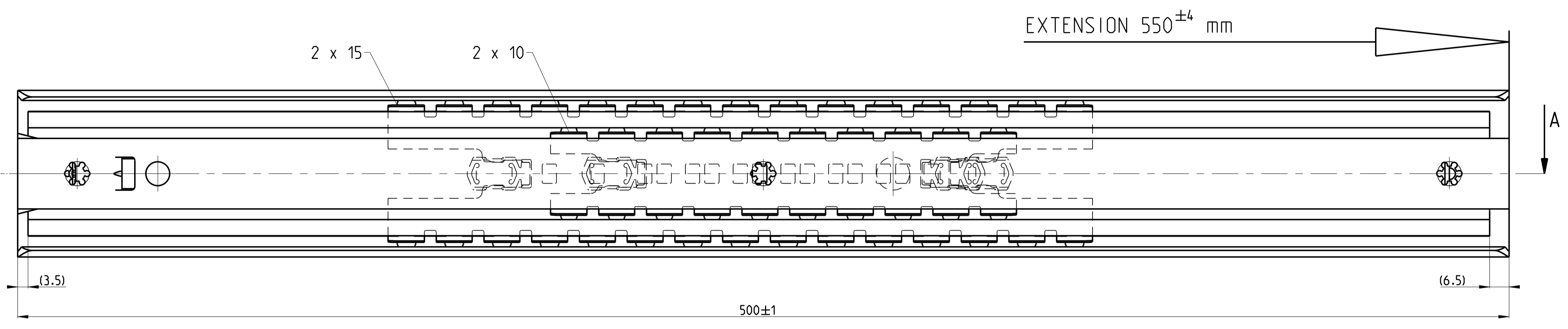
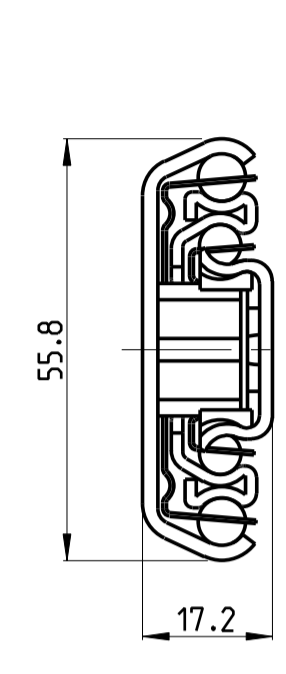


1 2 3 4 5 6 7 8 9 10 11 12 13 14 15 16 17 18 19 20

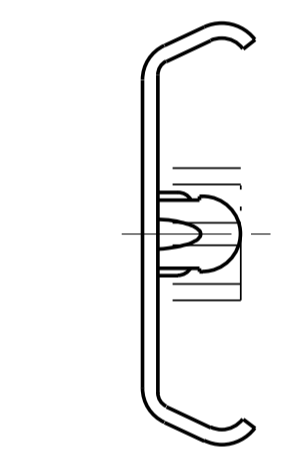
T 1-2 = 241.5
T 2-3 = 308.5



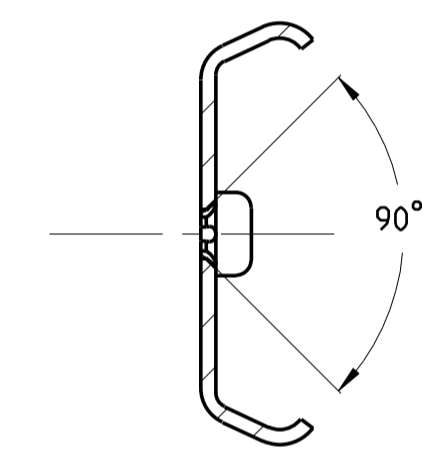
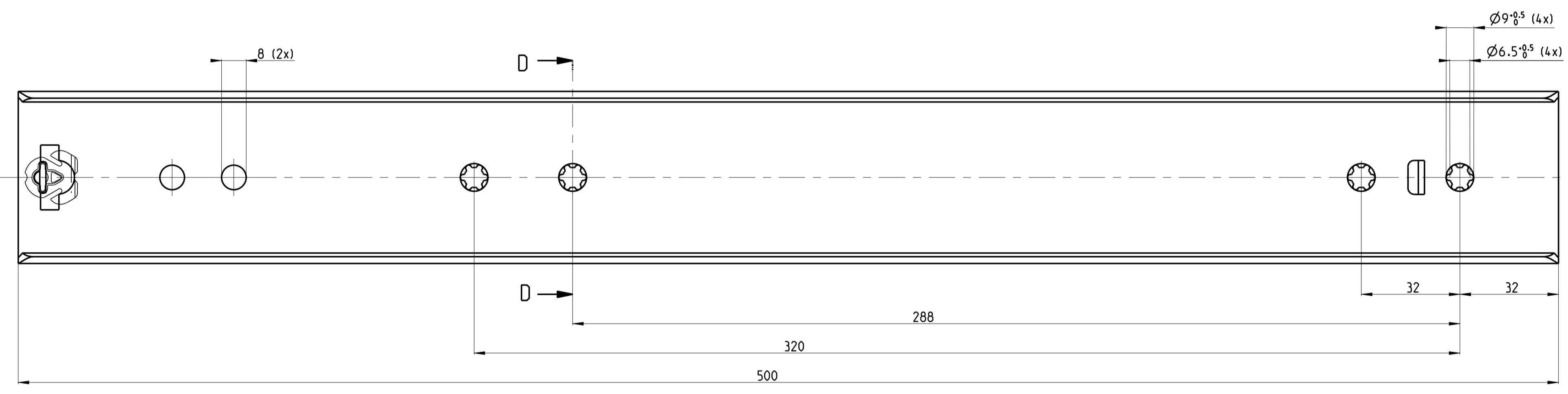
SECTION A-A



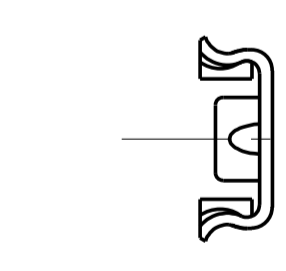
FRONT



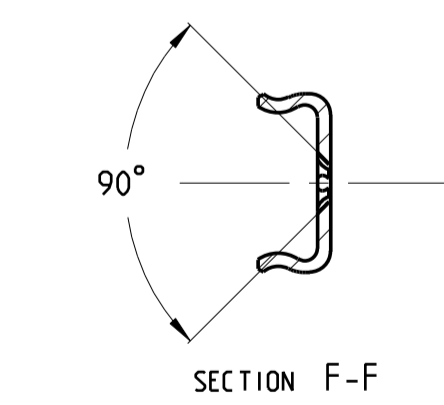
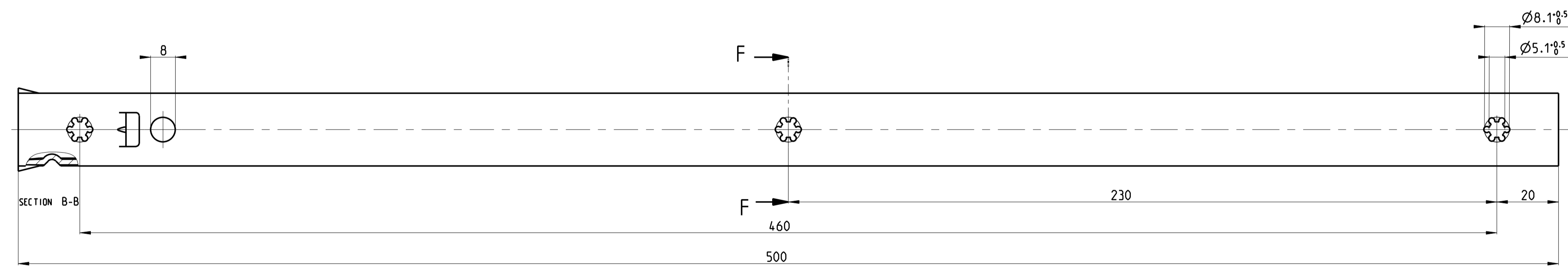
511-12-S25-HDA



SECTION D-D



513-12-S25-UB3



SECTION F-F

| | | | | | |
|-----------------------------------------------------------|-----------|----------------------------------------------------------------------------------------------|------------|----------------------------------------------------------------------------------------------------------|------------|
| PRO/ENGINEER Drawing Was: - 112-F59-00 | | Dimensions between marks are guide dimensions. Tolerances unless otherwise stated ±0.5mm. | | Thomas Regout Int. B.V. reserves the right to alter non-customer specific specifications without notice. | |
| American projection | DIMENSION | mm | MAT.: | - | |
| | SCALE | 1:1 | REM.: | Right hand slide = left hand slide. | |
| | DATE | 15-08-2011 | | | |
| | DESIGNER | M. Mahieu | | | |
| | CHECKED | - | | Type D | |
| ULF HD 500.0 / 550.0 (17.2mm) | | | | | |
| THOMAS REGOUT INTERNATIONAL BV | | | Drw. Nr. | 112-S25 _ 00 | Format. A1 |
| © Thomas Regout International BV All rights are reserved. | | | Production | | |

| | | | | | | | | | | | | | | | |
|----|---|---|---|----|---|---|---|---|----|---|---|---|---|---|---|
| 04 | - | - | - | 05 | - | - | - | - | 06 | - | - | - | - | - | - |
| 01 | - | - | - | 02 | - | - | - | - | 03 | - | - | - | - | - | - |