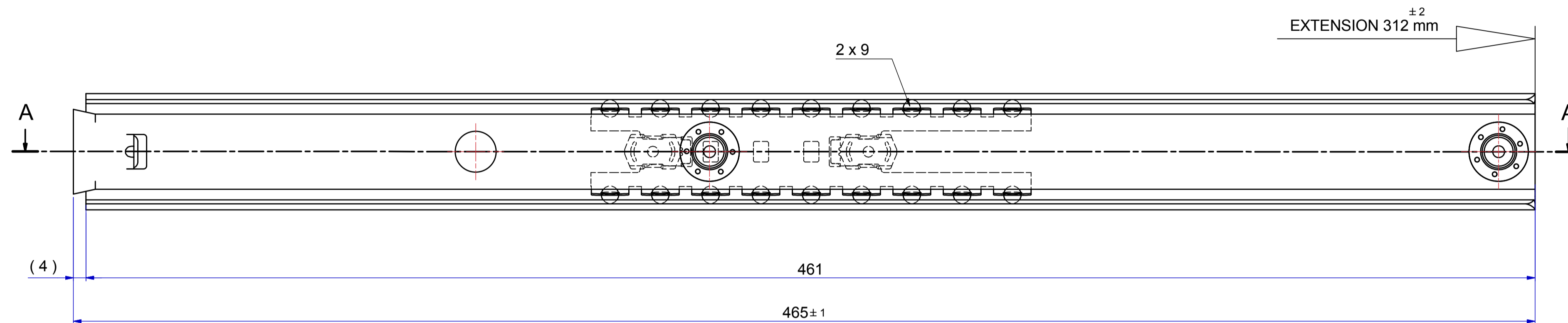
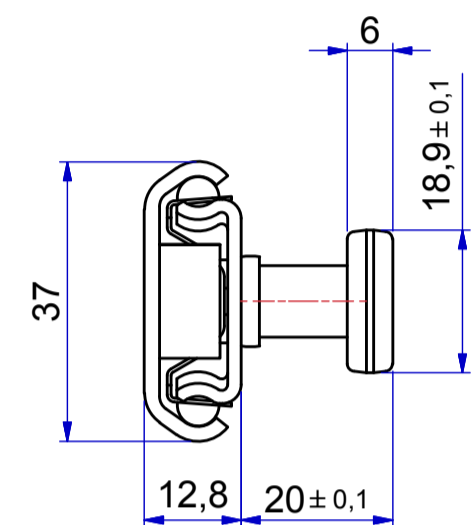
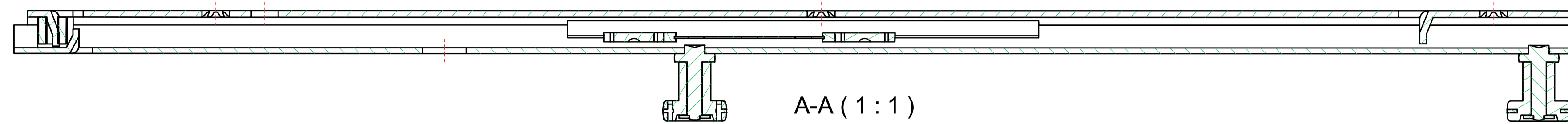
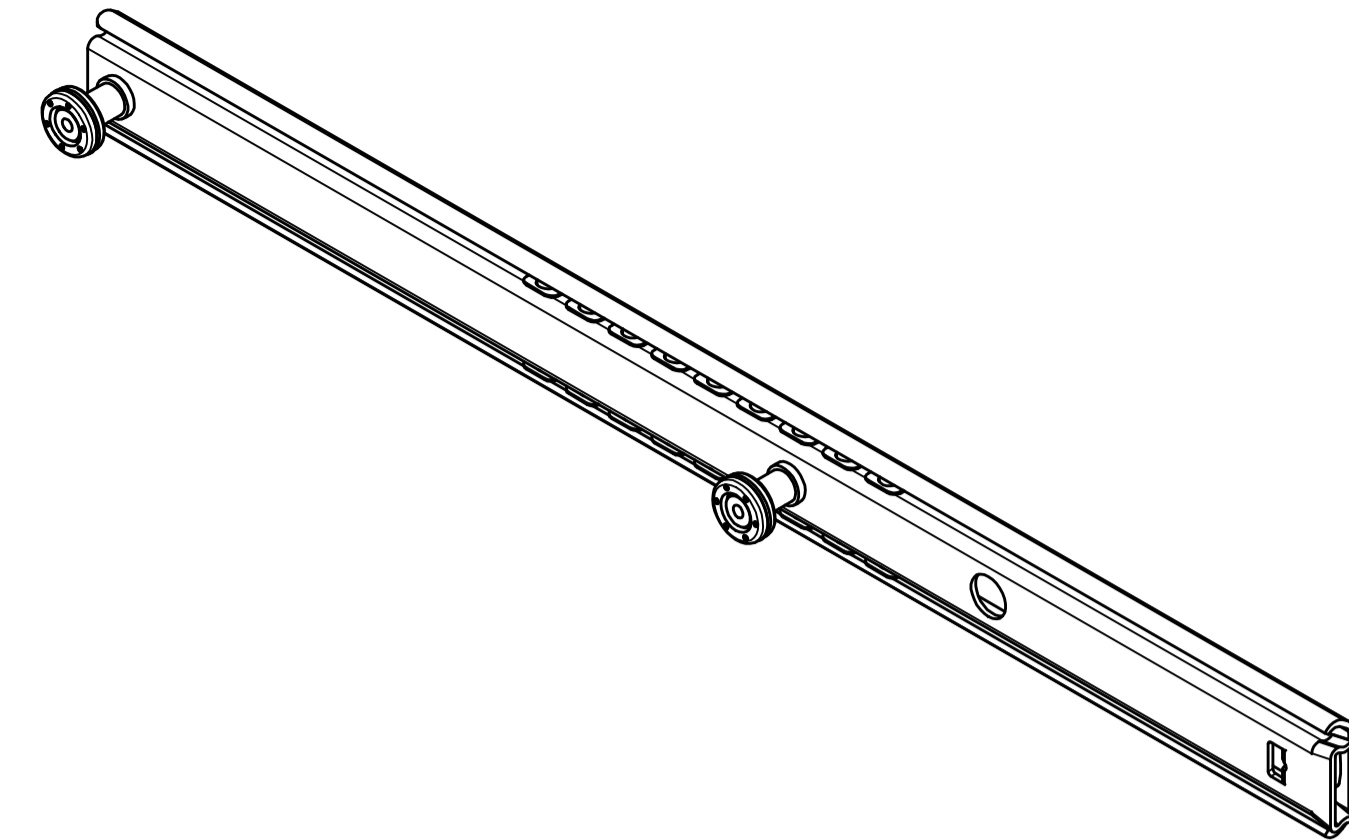


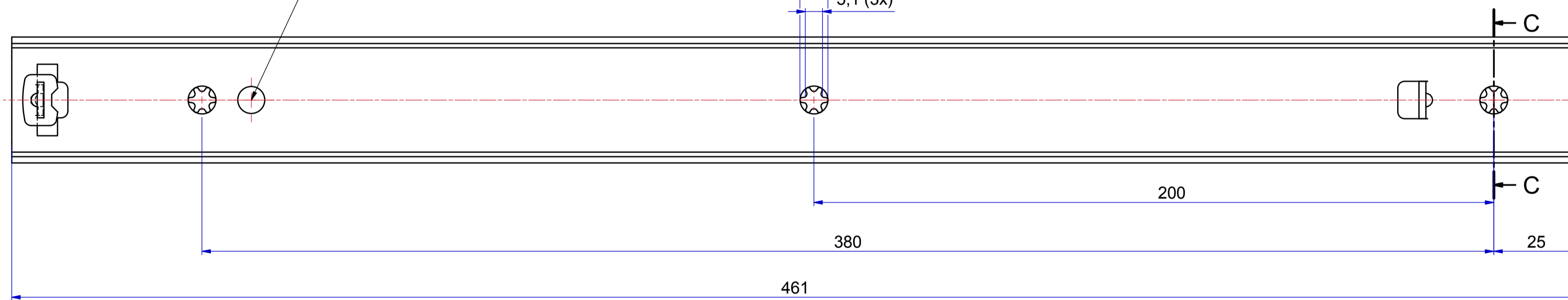
T 1 - 2 = 312,0 mm



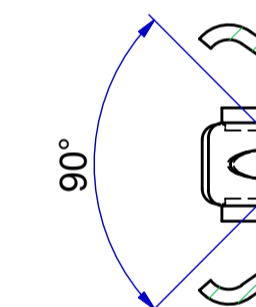
FRONT

NOT FOR CUSTOMER APPLICATION!

8,25 ± 0,25 (3x)
5,1 (3x)

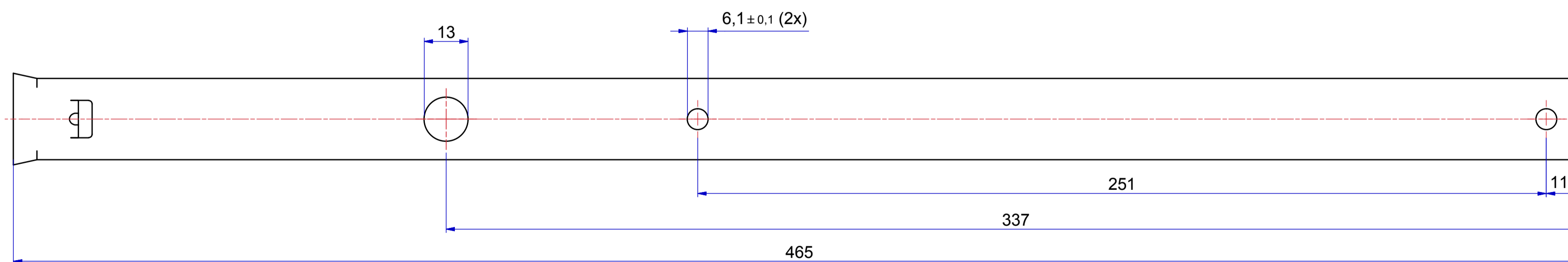


C-C (1:1)



511-27-A08-FV1

513-27-A08-VA3



Right hand slide = Left hand slide.
Dimensions between marks are guide dimensions.
Thomas Regout Int. B.V. reserves the right to alter non-customer specific specifications without notice.

Released for Production

| 03 | - | - | - | - |
|---------------------------------------------------------------------------------------------------------------------------------------|------------|-------------------------------------|------------------------|-------------------------|
| 02 | - | - | - | - |
| 01 | 26-08-2016 | Screw holes cabinet member replaced | | M. Iamkin |
| Rev | Date | Description | | Designer |
| Designer | W.Jans | Gen.Tol.Dim. ± 0,5 | Third angle projection | Material |
| Date | 27-8-2015 | Gen.Tol.Angle ± 0,5 | | Treatment |
| Approver | | Gen.Roughness Ra | | Draw type Fabrication |
| Date | | Units mm/deg. | | Scale 1 : 1 |
| Description | | FINN SV 465 / 312.0 (12,8mm) | | Released for Production |
| Format | A1 | THOMAS REGOUT INTERNATIONAL B.V. | Item No. 127-A08 | Revision 01 |
| © THOMAS REGOUT INTERNATIONAL BV, Industrieweg 40, 6219 NR, Maastricht, The Netherlands, +31 (0)43 351 66 66 All rights are reserved. | | | | |