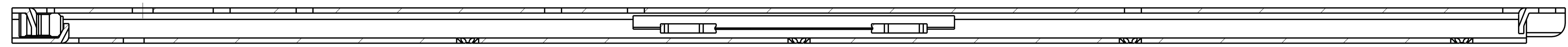


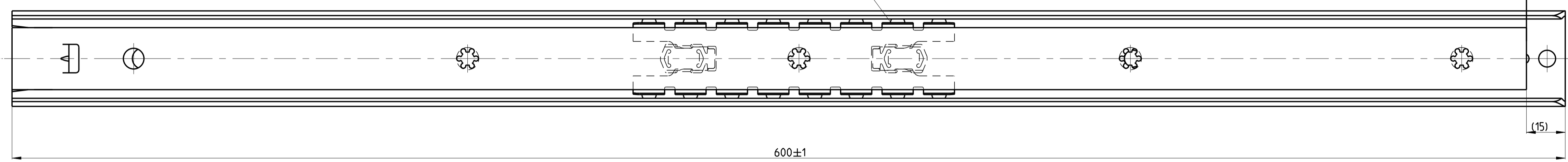
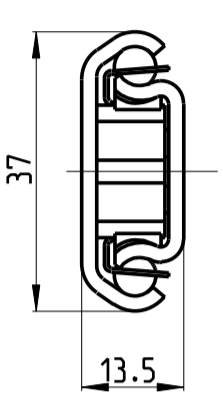
T 1-2 = 457.0



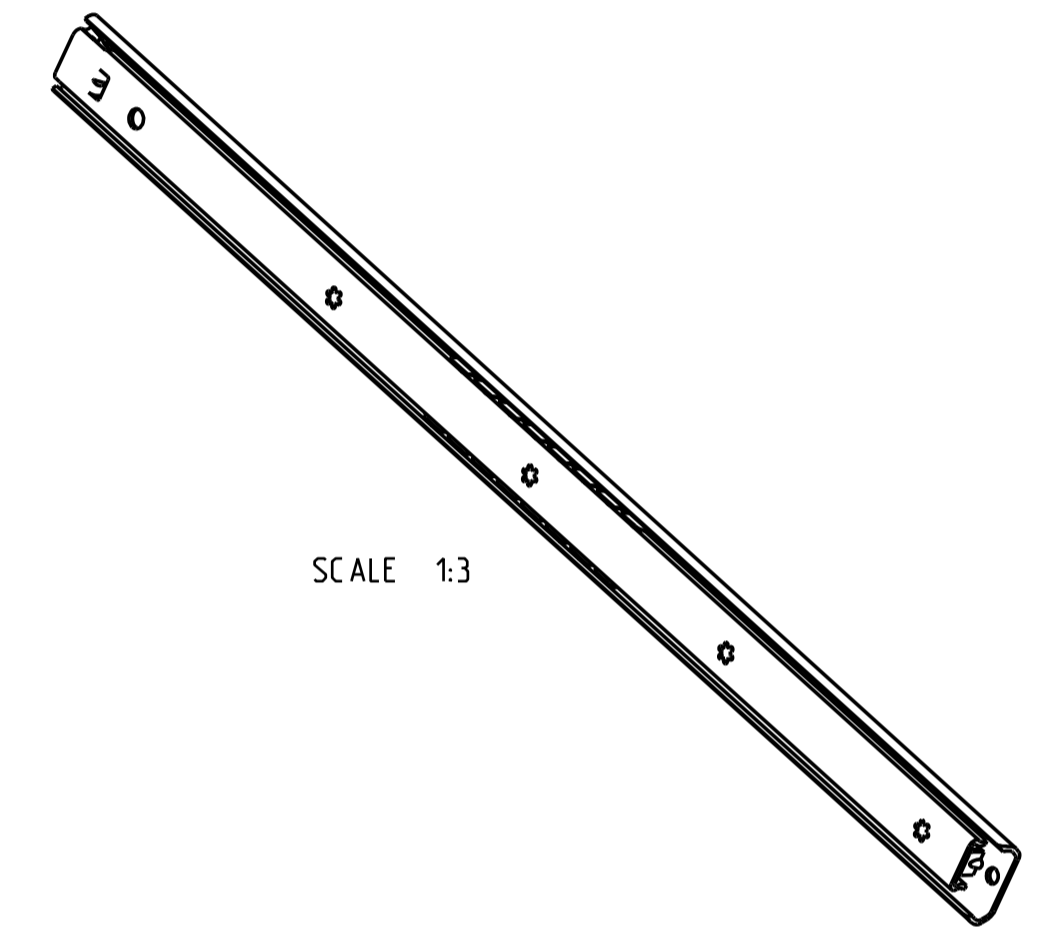
SECTION A-A

EXTENSION 457 \pm 2 mm

FRONT

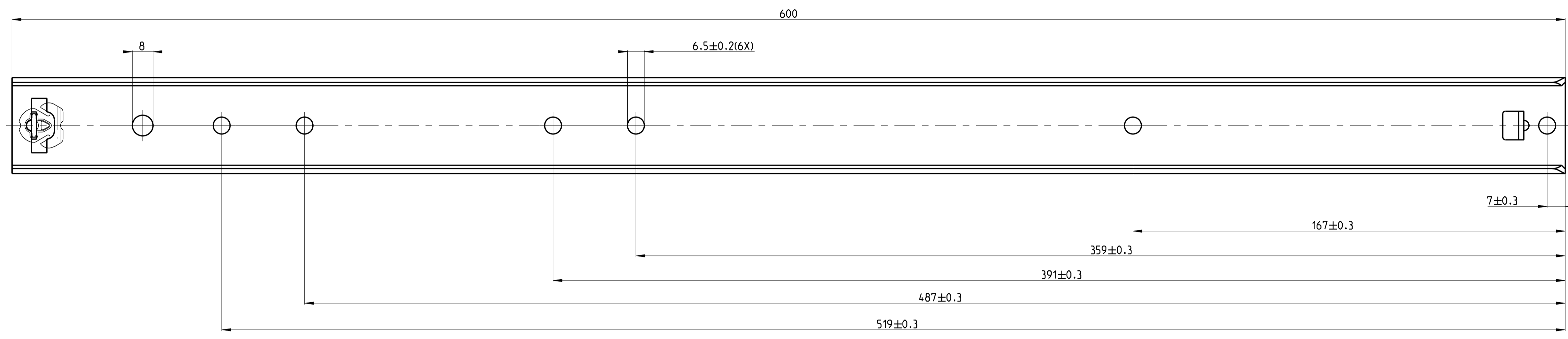


2 x 8

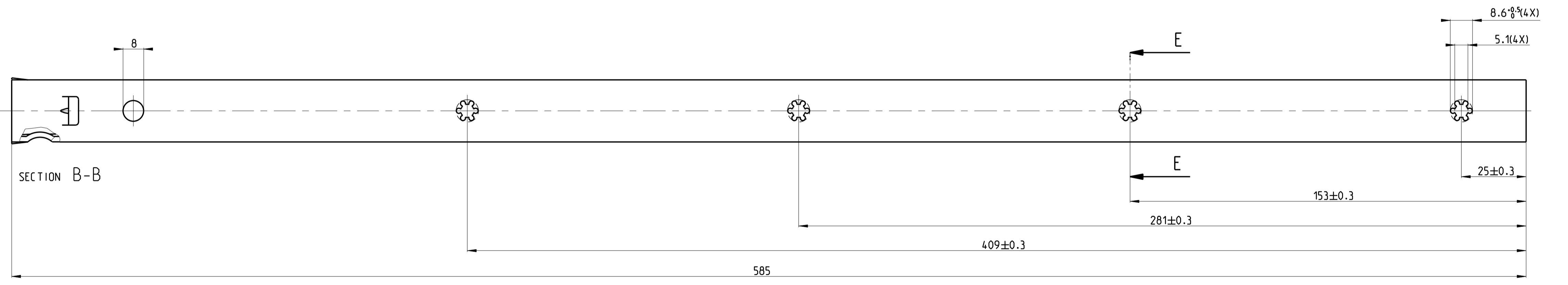


SCALE 1:3

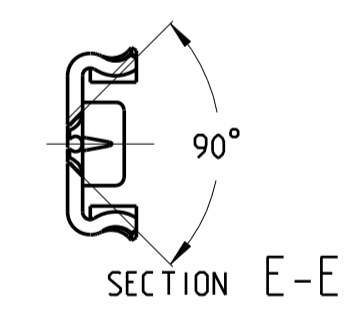
511-07-236-FA1



513-07-236-FA2



SECTION B-B



SECTION E-E

PRO/ENGINEER Drawing	Dimensions between marks are guide dimensions. Tolerances unless otherwise stated ± 0.5 mm.	Thomas Regout Int. B.V. reserves the right to alter non-customer specific specifications without notice.
Was: -		
American projection	DIMENSION mm	MAT.: -
SCALE 1:1		REM.: LEFT HAND SLIDE = RIGHT HAND SLIDE
DATE 11-08-1994		
DESIGNER Jan Bastings		
CHECKED -		
FINN 600,0 / 457,0 (13,5mm)		
THOMAS REGOUT INTERNATIONAL BV	Drw. Nr. 107-236 _ 01	Format. A1
© Thomas Regout International BV All rights are reserved.		Production

04	-	-	05	-	-	-	-	06	-	-	-	-
01	13-01-11	TEK. IN PRO/ENGINEER GEZET. BOORGATEN VERVANGEN DOOR KRUISGATEN IN FA2 PROFIEL.	Int	ML	02	-	-	03	-	-	-	-