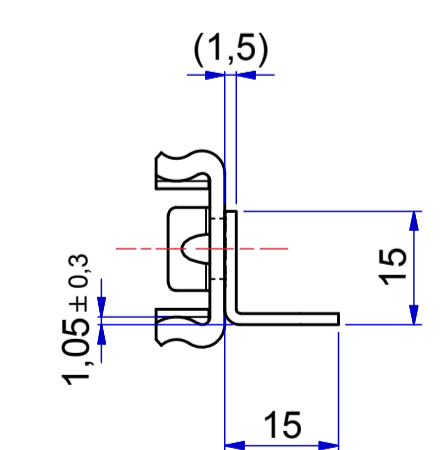
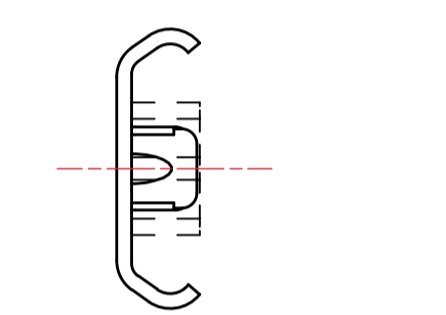
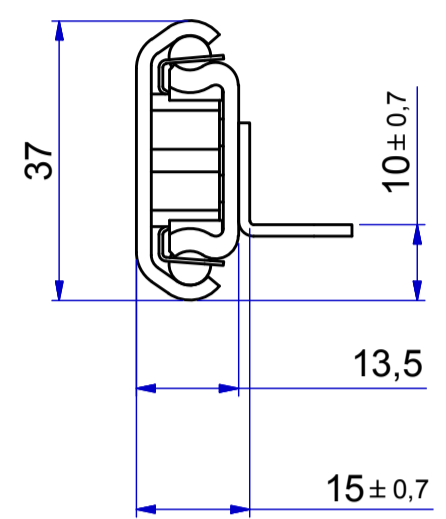
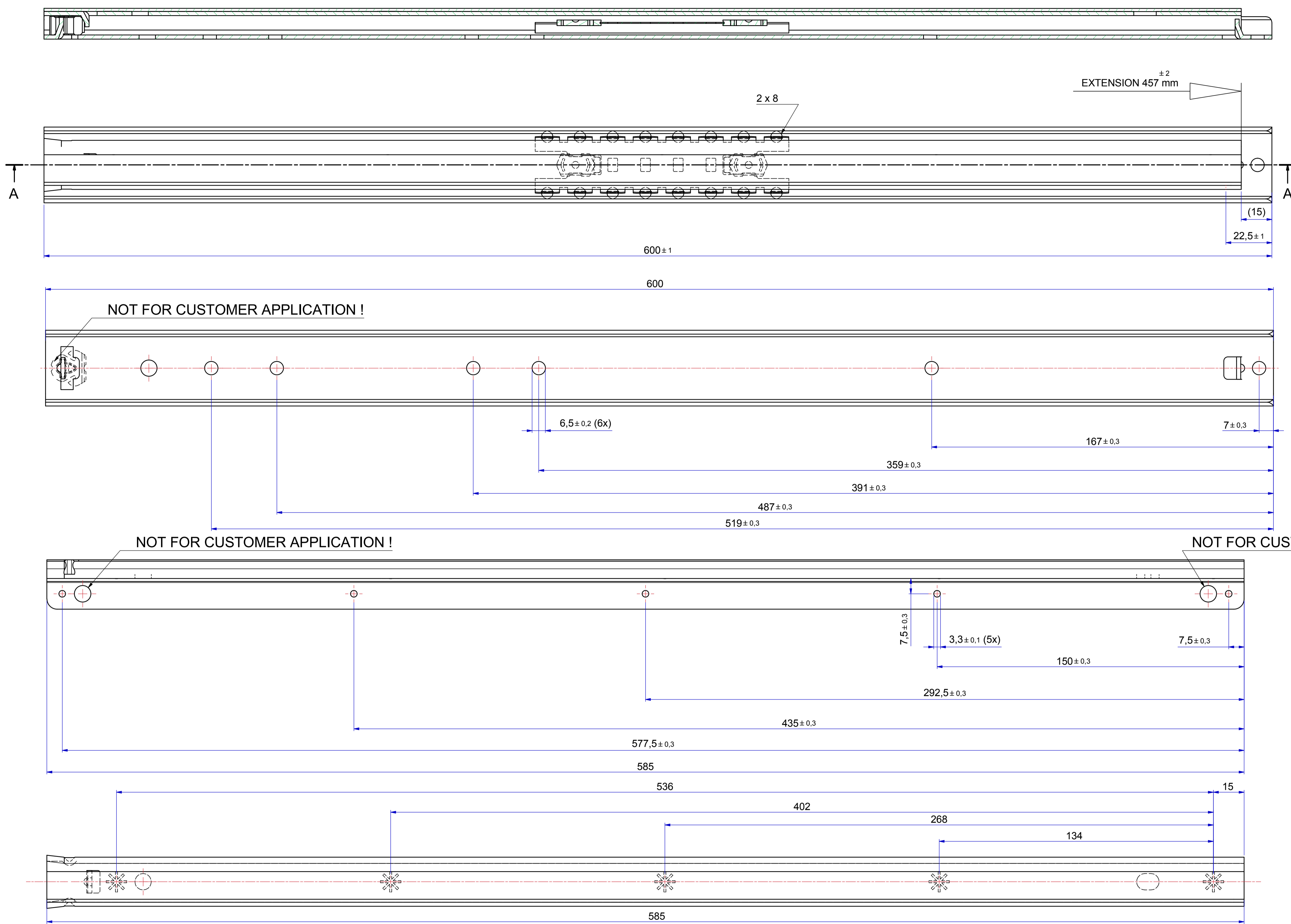


T 1 - 2 = 457,0 mm

A-A (1 : 1)



511-07-245-FA1

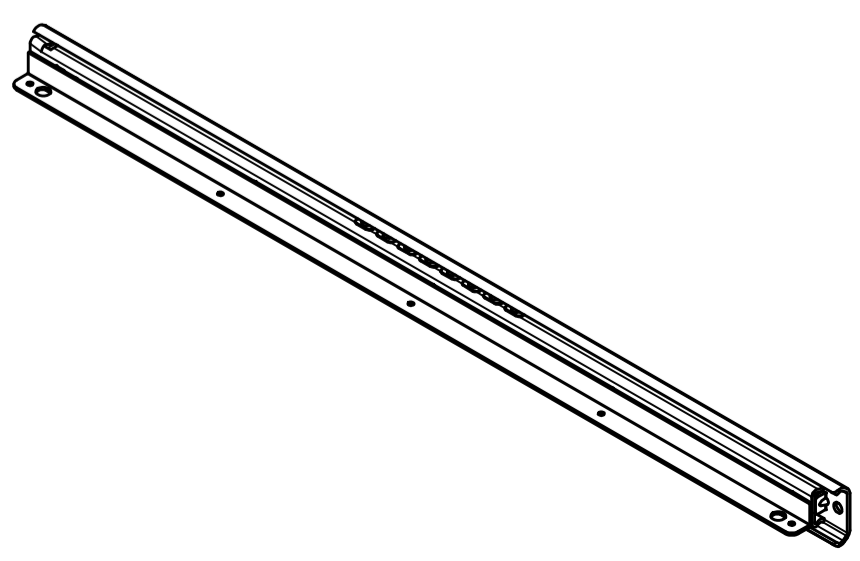
513-07-245-FA2

Released for Production

Right hand slide is shown part,
Left hand slide is opposite part.

Dimensions between marks are guide dimensions.

Thomas Regout Int. B.V. reserves the right to alter
non-customer specific specifications without notice.



02	-	-	-	-	-
01	-	-	-	-	-
00	15-06-2015	GETEKEND IN INVENTOR, LASPUNTEN	-	-	W.Jans
Rev	Date	Description	Designer		
Designer	J.Bastings	Gen.Tol.Dim. ± 0.5	Third angle projection	Material	
Date	12-6-2015	Gen.Tol.Angle ± 0.5		Treatment	
Approver		Gen.Roughness Ra		Draw type Fabrication	Doc.No. E000031946
Date		Units mm/deg.		Scale 1 : 1	Type Model No. E000031945
Description					
FINN 600.0 / 457.0 (13,5mm)					
Released for Production					
Format	A1	THOMAS REGOUT INTERNATIONAL B.V.		Item No.	107-245
					Revision
					00
© THOMAS REGOUT INTERNATIONAL BV, Industrieweg 40, 6219 NR, Maastricht, The Netherlands, +31 (0)43 351 66 66 All rights are reserved.					