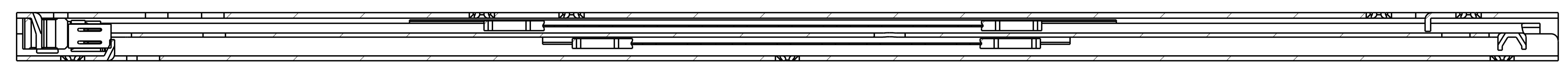
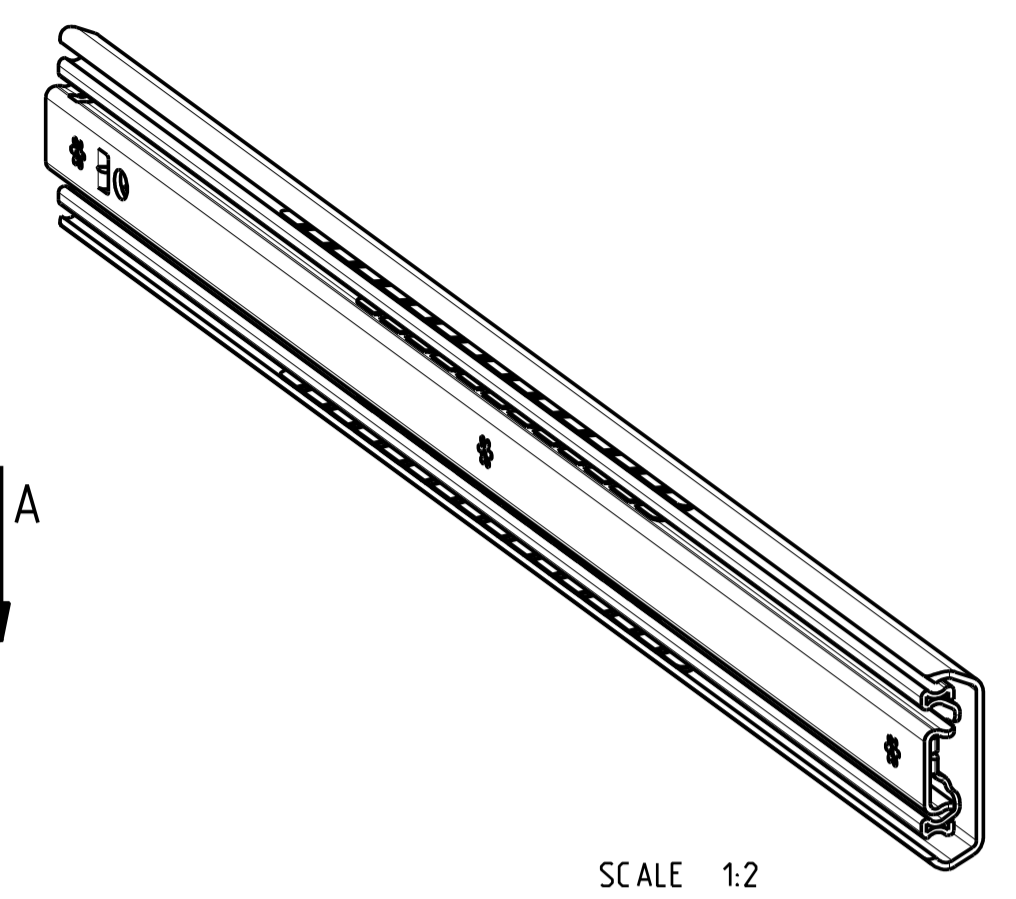
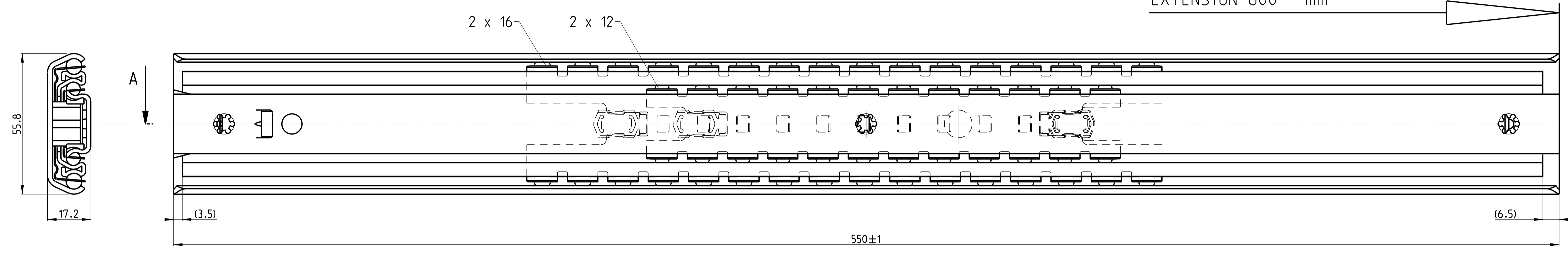


1 2 3 4 5 6 7 8 9 10 11 12 13 14 15 16 17 18 19 20

T 1-2 = 273.5
T 2-3 = 326.5

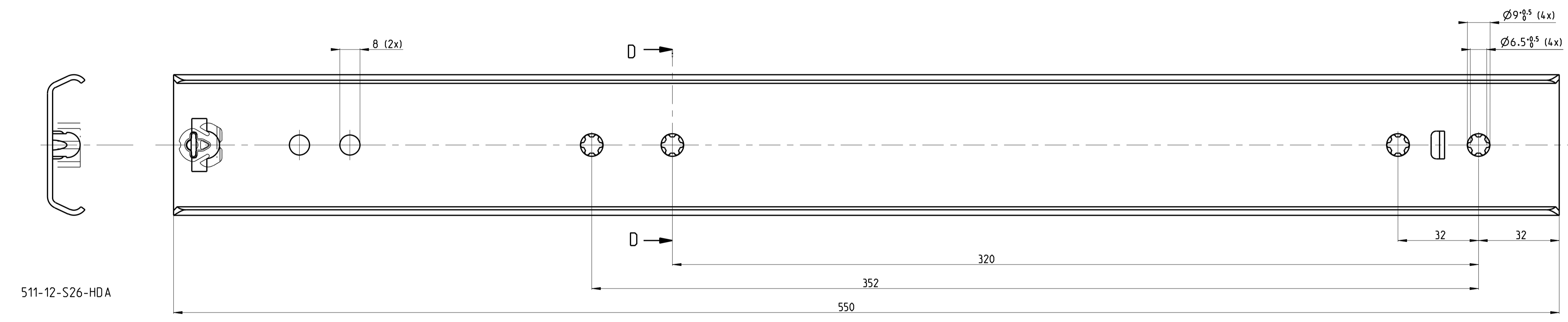


SECTION A-A

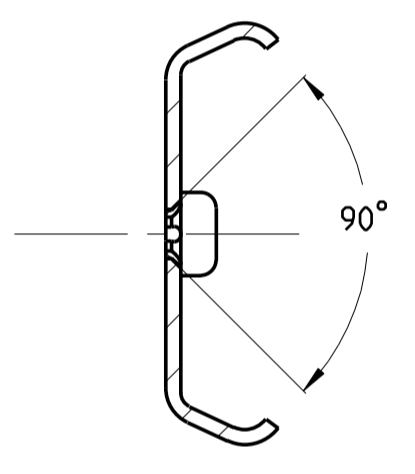


FRONT

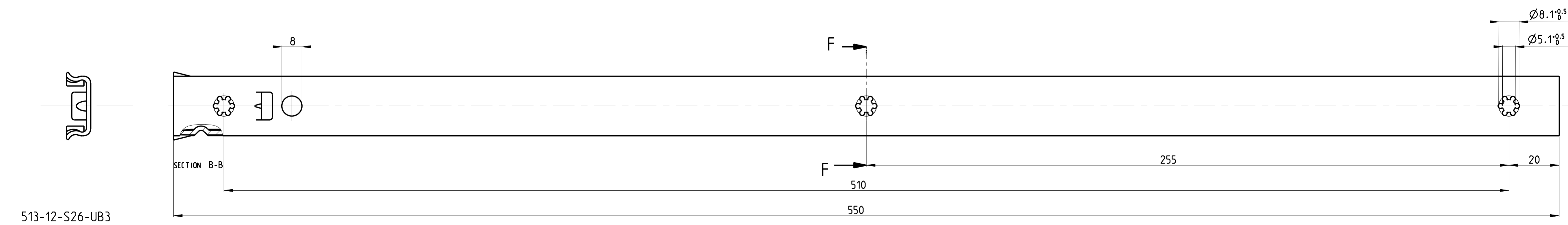
SCALE 1:2



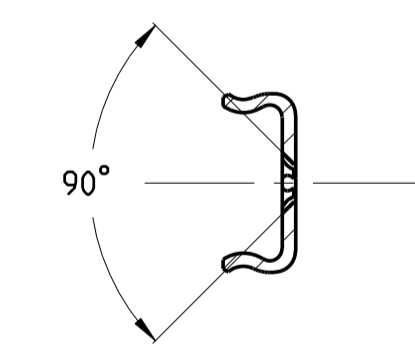
511-12-S26-HDA



SECTION D-D



513-12-S26-UB3



SECTION F-F

PRO/ENGINEER Drawing Was: - 112-F60-00		Dimensions between marks are guide dimensions. Tolerances unless otherwise stated ±0.5mm.		Thomas Regout Int. B.V. reserves the right to alter non-customer specific specifications without notice.	
American projection	DIMENSION	mm	MAT.:	-	
	SCALE	1:1	REM.:	Right hand slide = left hand slide.	
	DATE	15-08-2011			
	DESIGNER	M. Mahieu			
	CHECKED	-		Type D	
ULF HD 550,0 / 600,0 (17,2mm)					
THOMAS REGOUT INTERNATIONAL BV			Drw. Nr.	Format.	
			112-S26 _ 00	A1	
			Production		

04	-	-	05	-	-	-	-	06	-	-	-	-
01	-	-	02	-	-	-	-	03	-	-	-	-