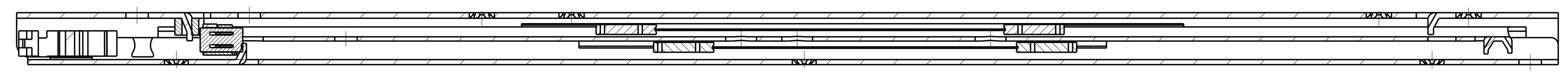


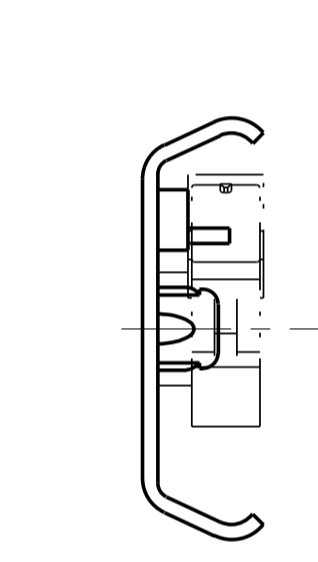
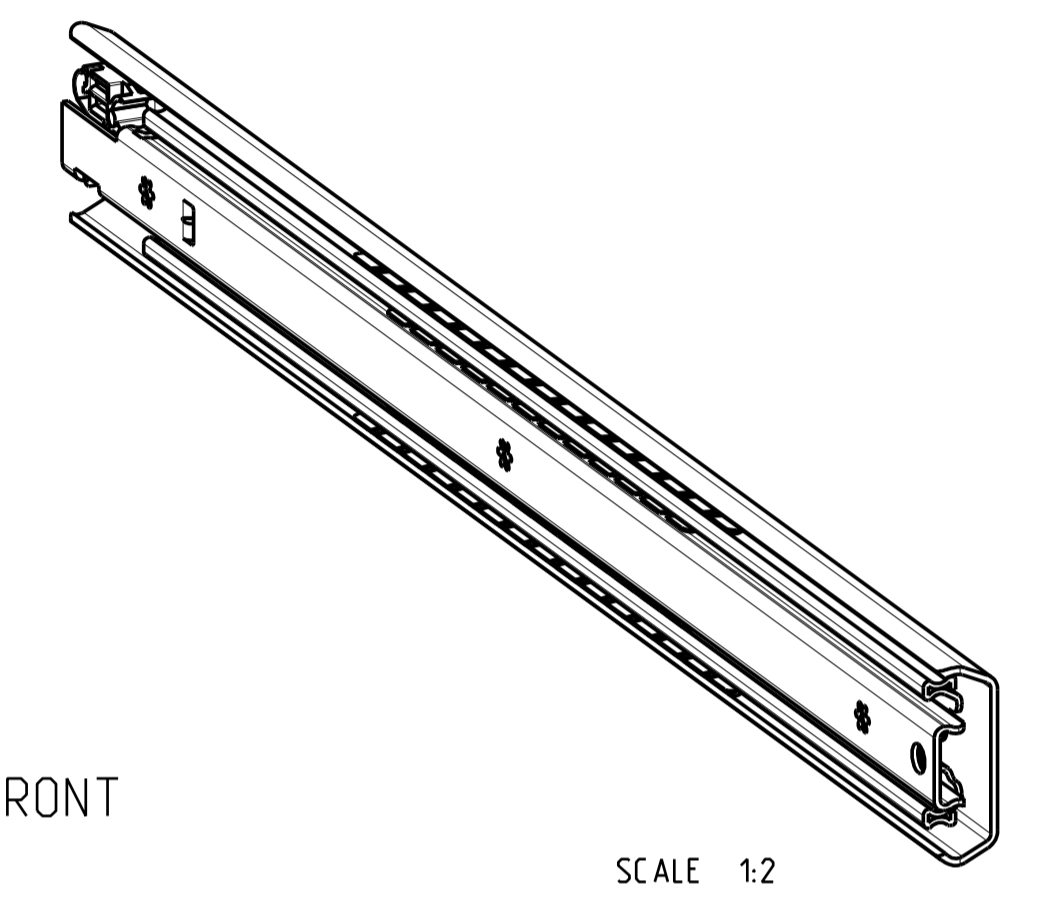
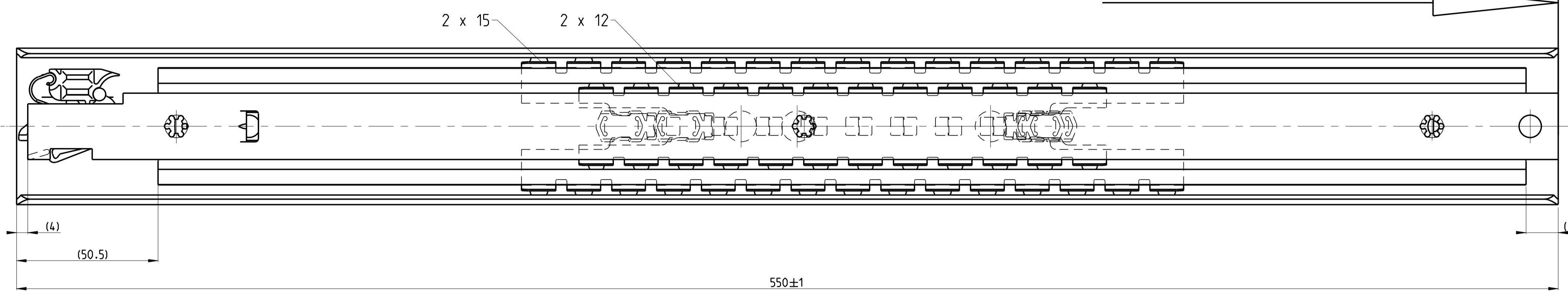
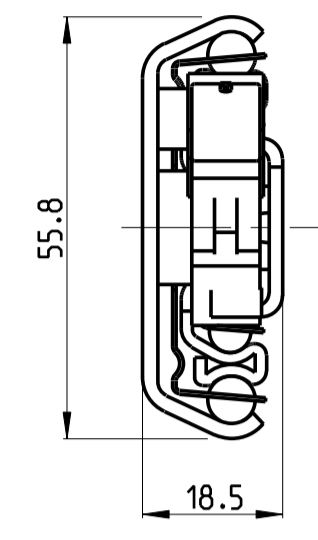
1 2 3 4 5 6 7 8 9 10 11 12 13 14 15 16 17 18 19 20

T 1-2 = 259.5  
T 2-3 = 290.5

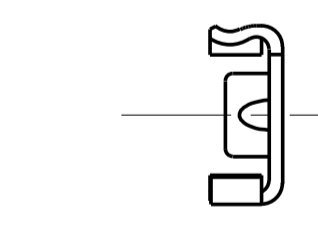
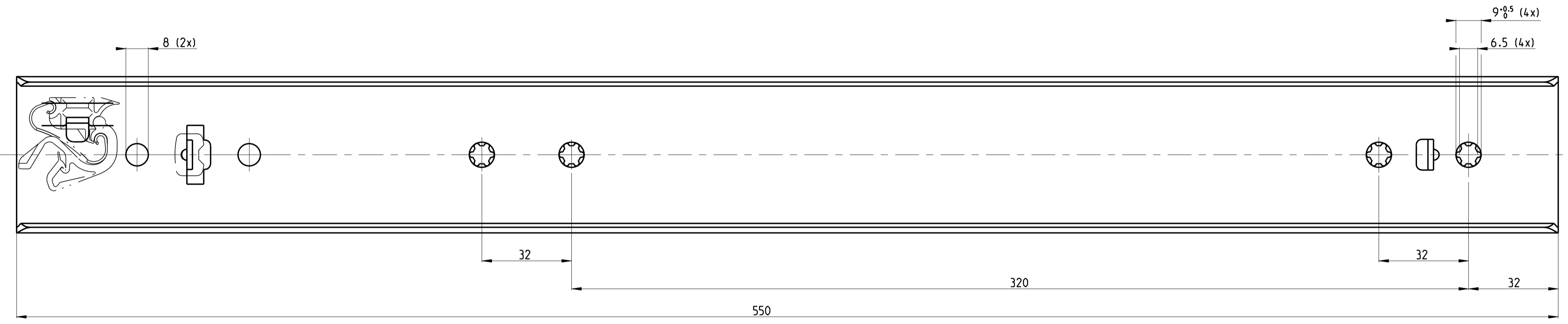


SECTION A-A

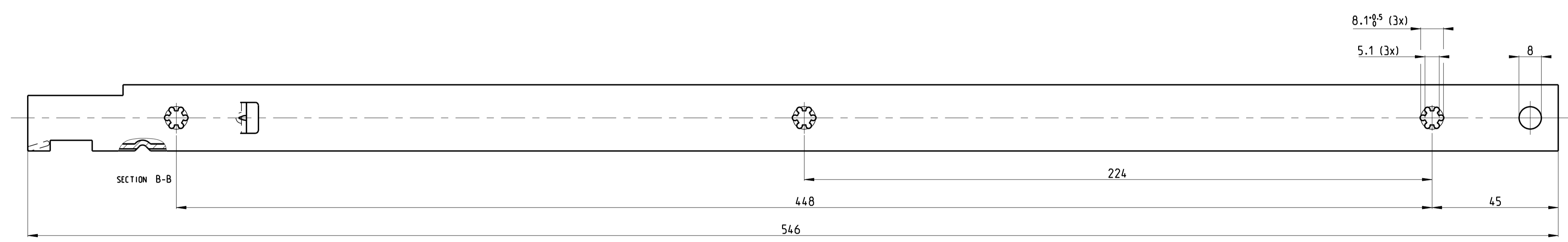
EXTENSION 550<sup>±4</sup> mm



511-12-S66-HDB



513-12-S66-UB3



PRO/ENGINEER Drawing Was: - 112-F96-01		Dimensions between marks are guide dimensions. Tolerances unless otherwise stated ±0.5mm.		Thomas Regout Int. B.V. reserves the right to alter non-customer specific specifications without notice.	
American projection	DIMENSION	mm	MAT.:	-	
	SCALE	1:1	REM.:	RIGHT HAND SLIDE = LEFT HAND SLIDE	
	DATE	09-11-2011			
	DESIGNER	M. Mahieu			
	CHECKED	-		Type F	
ULF HD 550.0 / 550.0 (18,5mm)					
THOMAS REGOUT INTERNATIONAL BV			Drw. Nr.	112-S66 _ 00	Format. A1
© Thomas Regout International BV All rights are reserved.			Production		

04	-	-	05	-	-	-	-	06	-	-	-	-
01	-	-	02	-	-	-	-	03	-	-	-	-