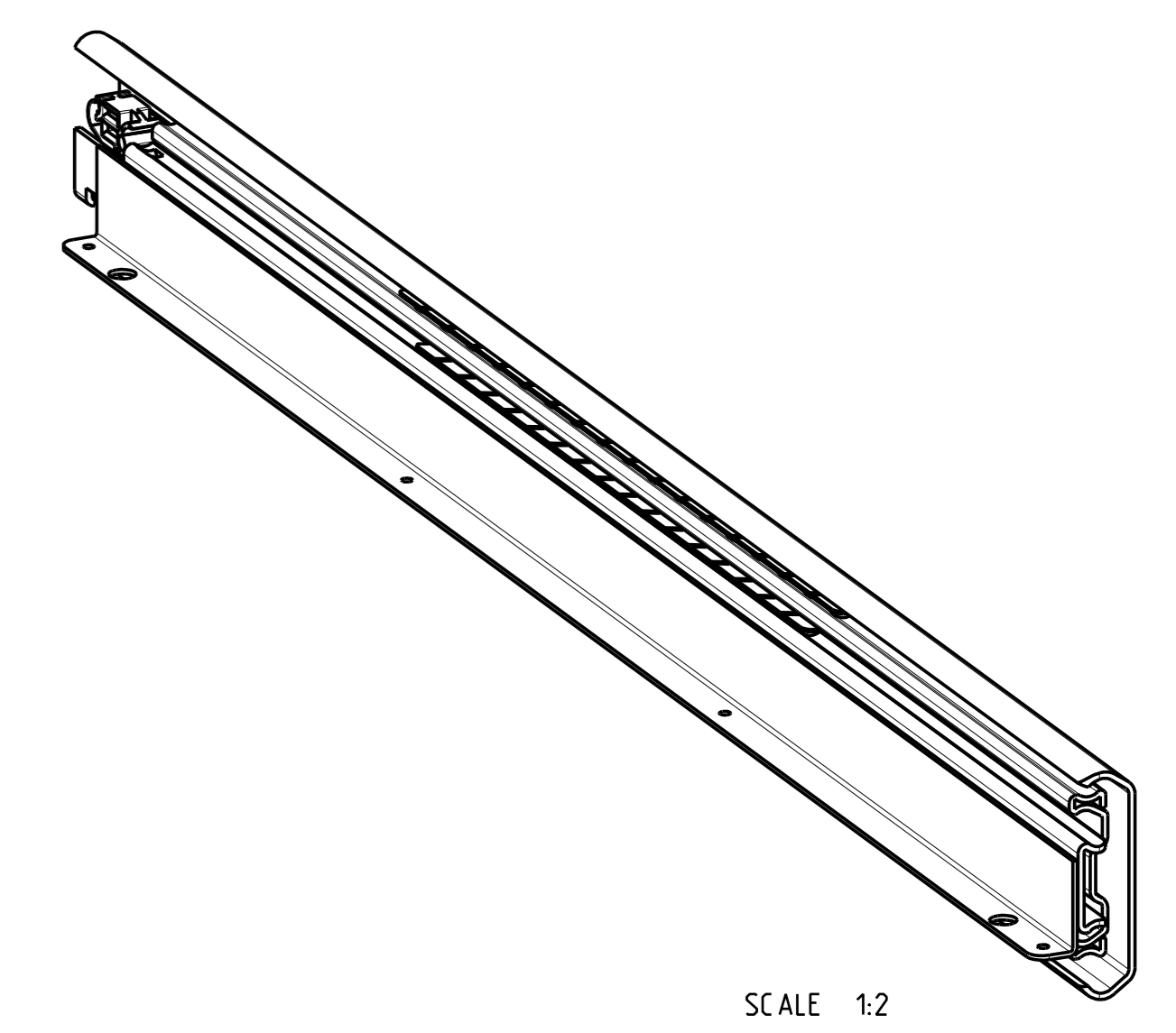
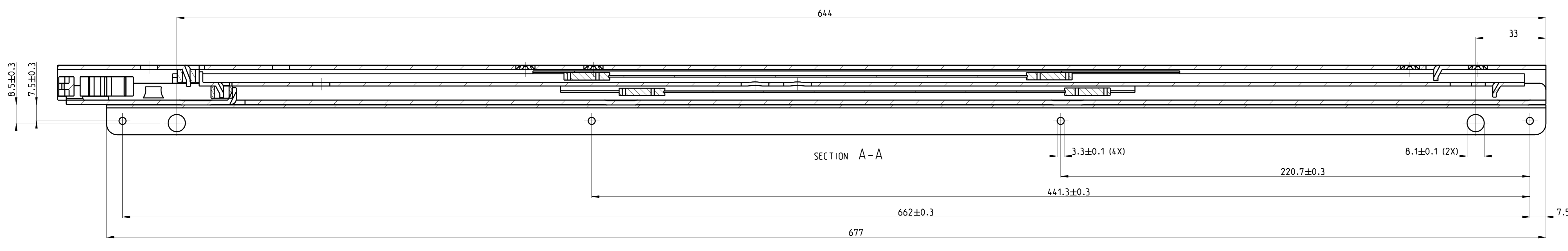
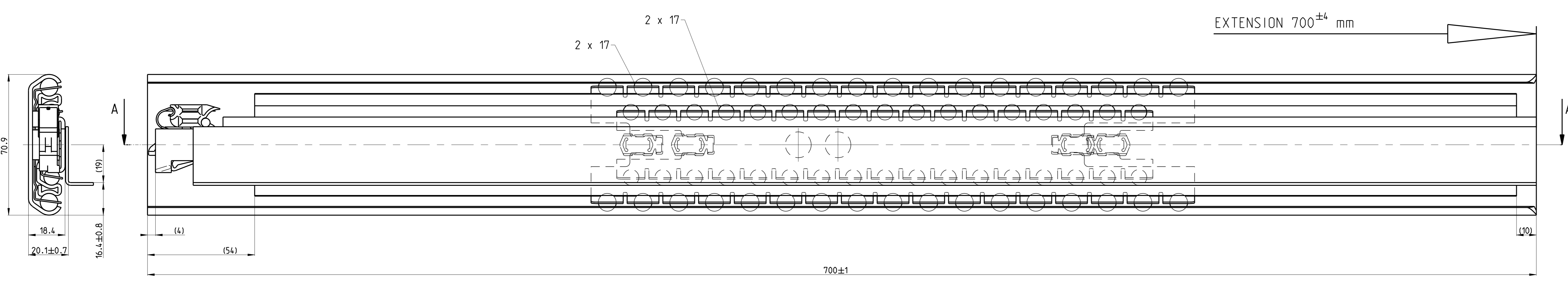


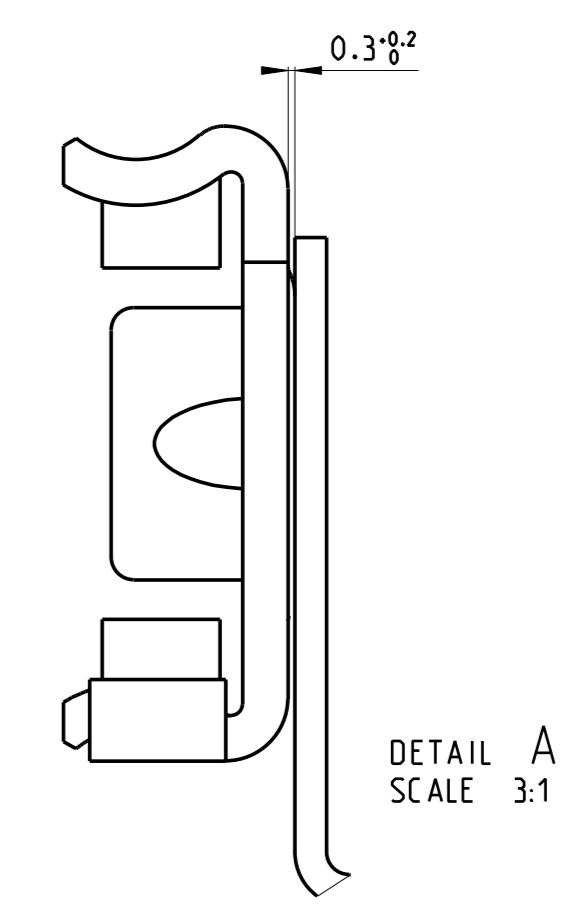
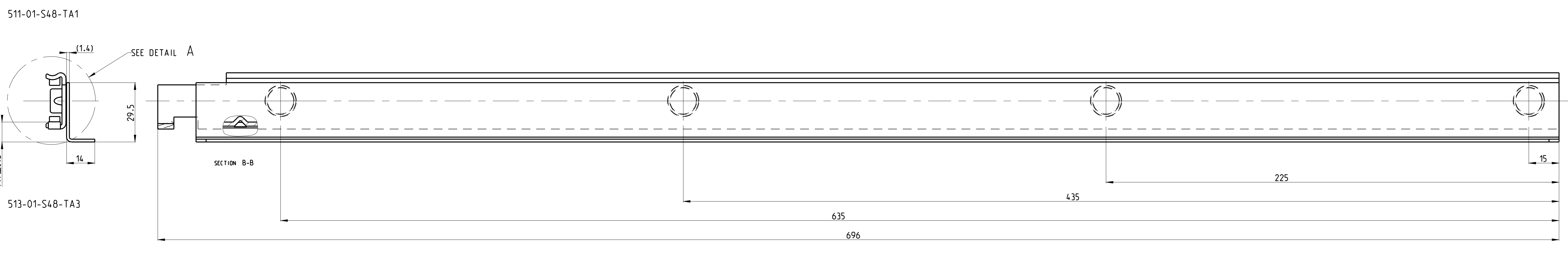
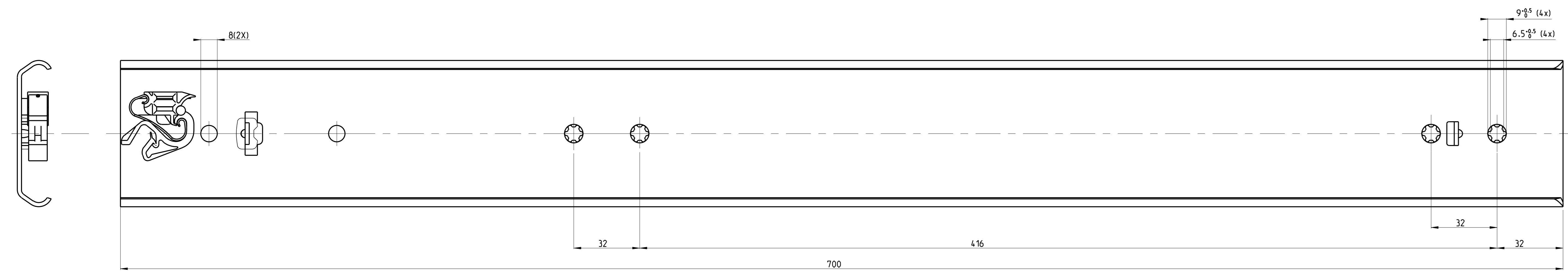
T 1-2 = 340.0  
T 2-3 = 360.0



SCALE 1:2



FRONT



PRO/ENGINEER Drawing	Dimensions between marks are guide dimensions. Tolerances unless otherwise stated ±0.5mm.	Thomas Regout Int. B.V. reserves the right to alter non-customer specific specifications without notice.
American projection	DIMENSION mm	MAT. -
SCALE 1:1	DATE 02-08-2011	REM.: RIGHT HAND SLIDE IS SHOWN PART. LEFT HAND SLIDE IS OPPOSITE PART.
DESIGNER J. Schreurs	CHECKED -	FAILSAFE: RIGHT HAND SLIDE = LEFT HAND SLIDE TYPE E
TITAN 700,0 / 700,0 (18,5mm)		
		Draw. Nr. 101-S48_00 Format. A0 Production
<small>© Thomas Regout International BV. All rights are reserved.</small>		