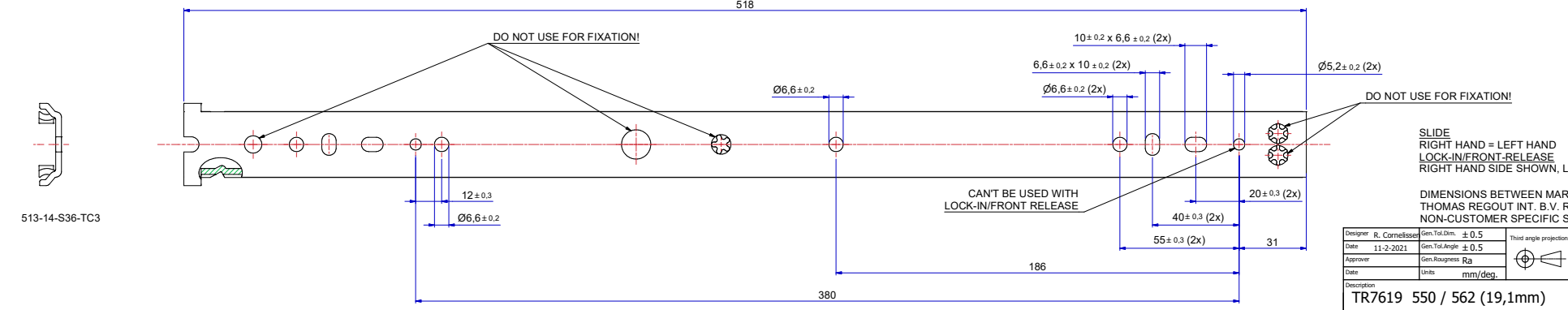
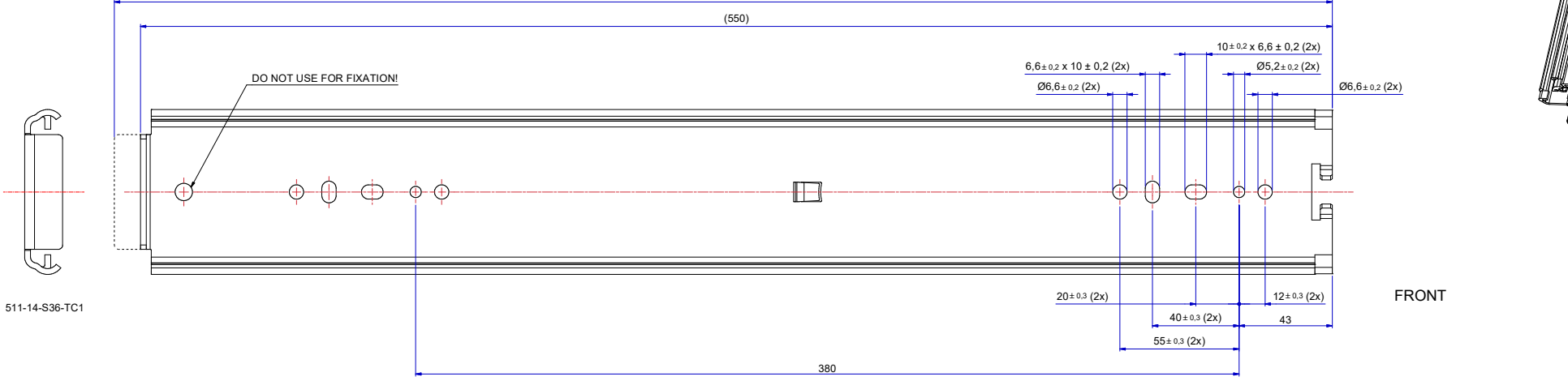
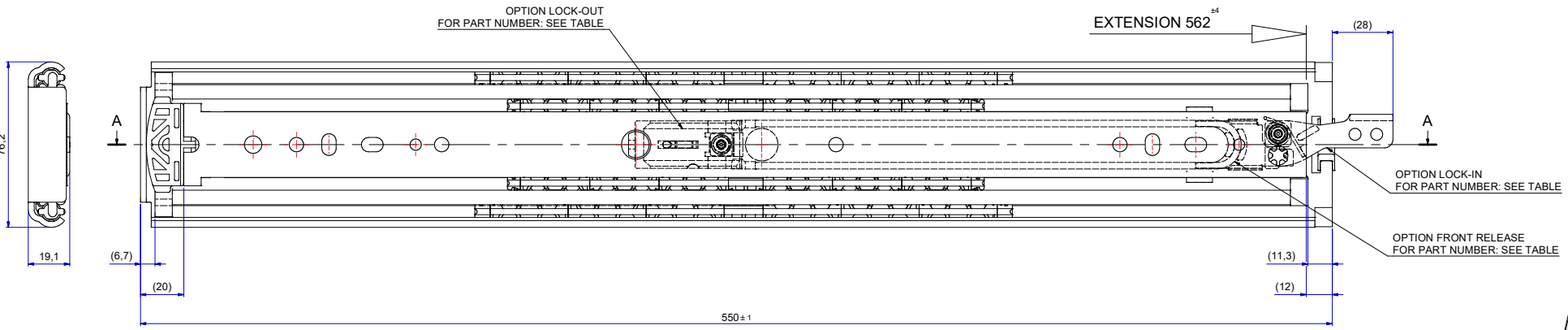
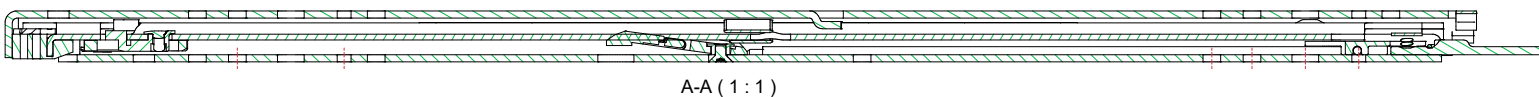


T 1-2 = 279,3
T 2-3 = 282,7



SLIDE
RIGHT HAND = LEFT HAND
LOCK-IN/FRONT-RELEASE
RIGHT HAND SIDE SHOWN, LEFT HAND SIDE IS MIRRORED

DIMENSIONS BETWEEN MARKS ARE GUIDE DIMENSIONS.
THOMAS REGOUT INT. B.V. RESERVES THE RIGHT TO ALTER
NON-CUSTOMER SPECIFIC SPECIFICATIONS WITHOUT NOTICE.

Designer	R. Cornelissen	Gen.Tol.Dim.	± 0,5	Third angle projection	Material
Date	11-2-2021	Gen.Tol.Angle	± 0,5		Treatment
Approver		Gen.Roughness	Ra	Draw type	Fabrication
Date		Units	mm/deg.	Scale	1 : 1 Type
Description		TR7619 550 / 562 (19,1mm)		Model No. E000116865	

Released for Production

Format	A1	STANDARD	114S36	LOCK-IN	114S36A	LOCK-OUT	114S36B	LOCK-IN & LOCK-OUT & FRONT-RELEASE	114S36C	Item No.	114-S36	Revision	00
--------	----	----------	--------	---------	---------	----------	---------	------------------------------------	---------	----------	---------	----------	----