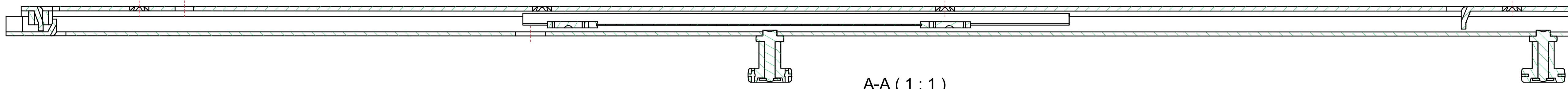
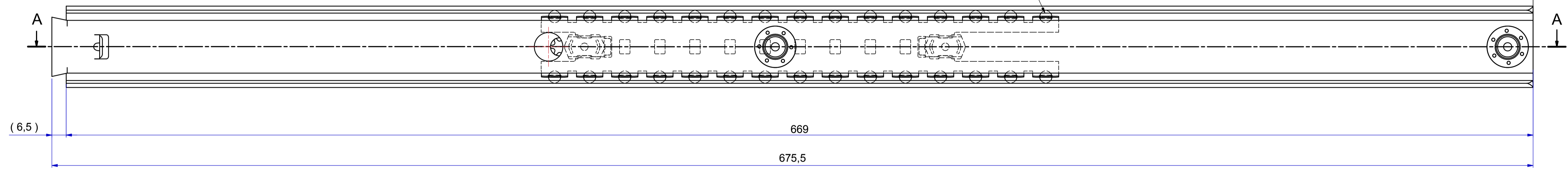
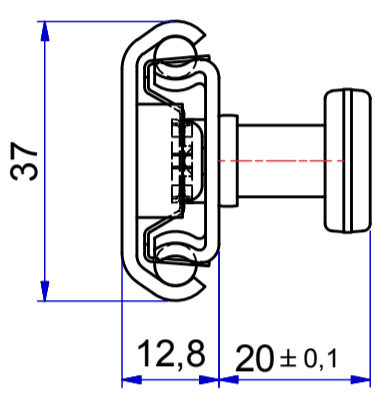


T 1 - 2 = 424,0 mm



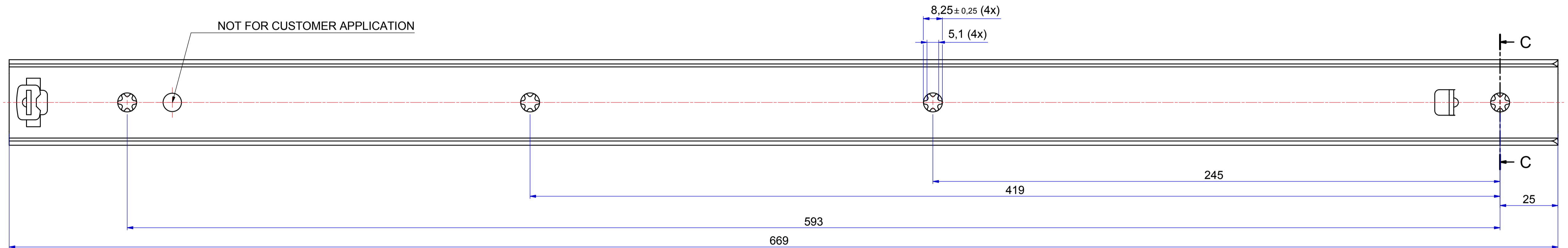
A-A (1:1)

EXTENSION ± 2 424 mm

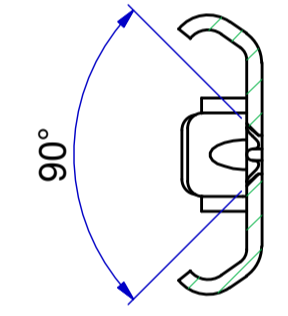


FRONT

NOT FOR CUSTOMER APPLICATION



C-C (1:1)



511-27-A09-FV1

513-27-A09-VA3

Released for Production

Right hand slide = Left hand slide.

Dimensions between marks are guide dimensions.

Thomas Regout Int. B.V. reserves the right to alter non-customer specific specifications without notice.

03	-	-	-	-	-
02	-	-	-	-	-
01	29-08-2016	Screw holes cabinet member replaced			M. Lamkin
Rev	Date	Description	Designer		
Designer	W.Jans	Gen.Tol.Dim. $\pm 0,5$	Third angle projection	Material	
Date	28-8-2015	Gen.Tol.Angle $\pm 0,5$		Treatment	
Approver		Gen.Roughness Ra		Draw type	Fabrication
Date		Units mm/deg.		Scale	1 : 1
Description			Released for Production		
FINN SV 675.5 / 424.0 (12,8mm)			Item No. 127-A09		
Format	A1	THOMAS REGOUT INTERNATIONAL B.V.		Revision	01
© THOMAS REGOUT INTERNATIONAL BV, Industrieweg 40, 6219 NR, Maastricht, The Netherlands, +31 (0)43 351 66 66 All rights are reserved.					