

T 1 - 2 = 541,0 mm

A-A (1:1)

A

A

B

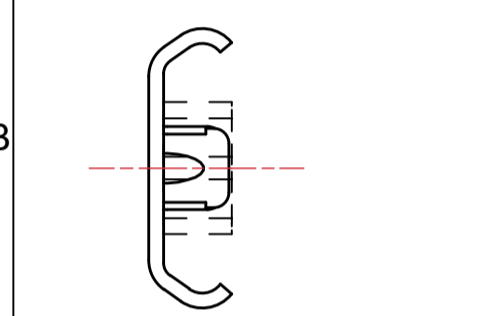
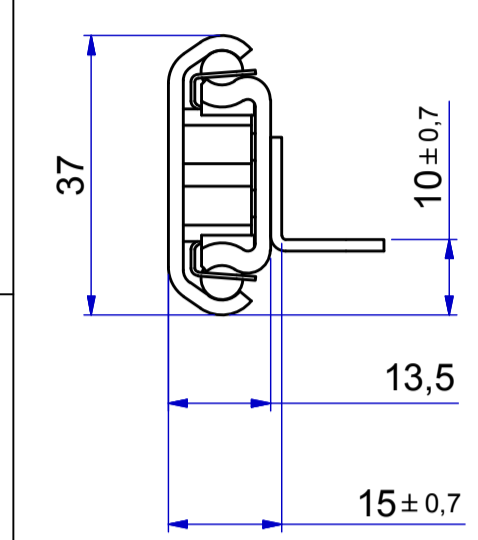
B

C

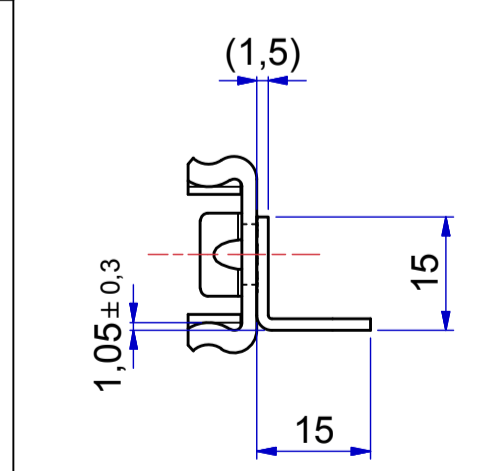
C

D

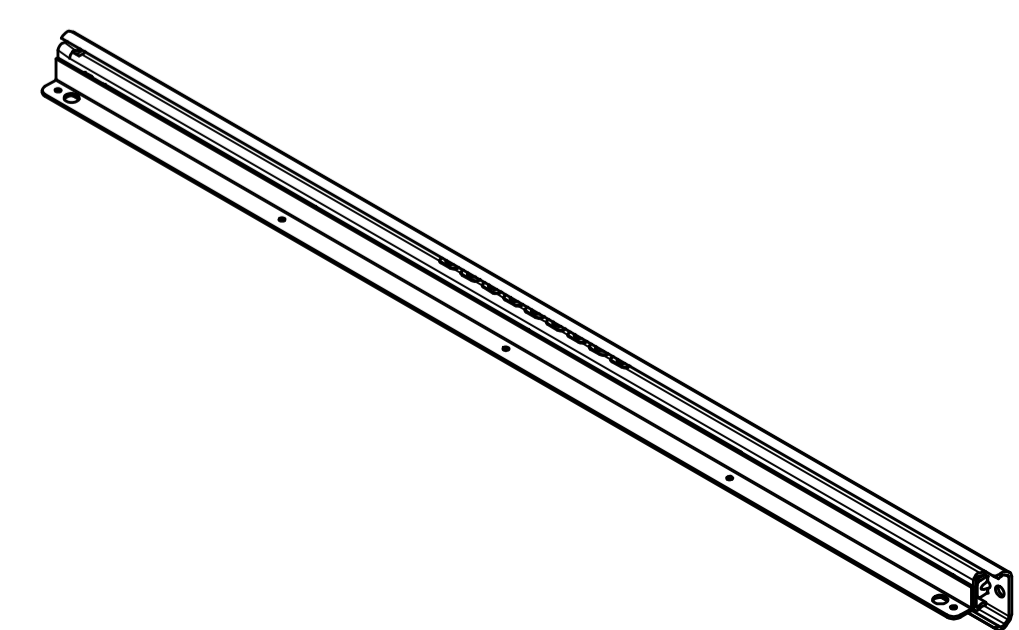
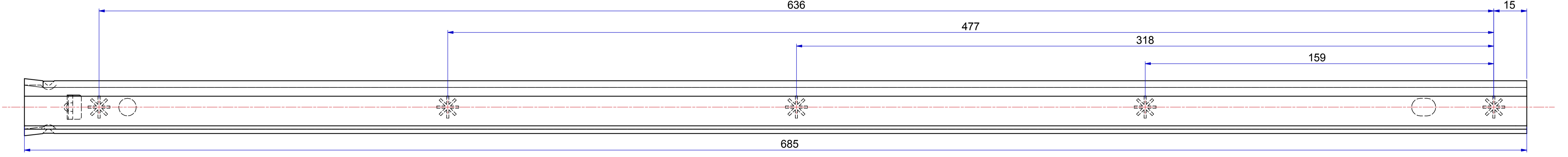
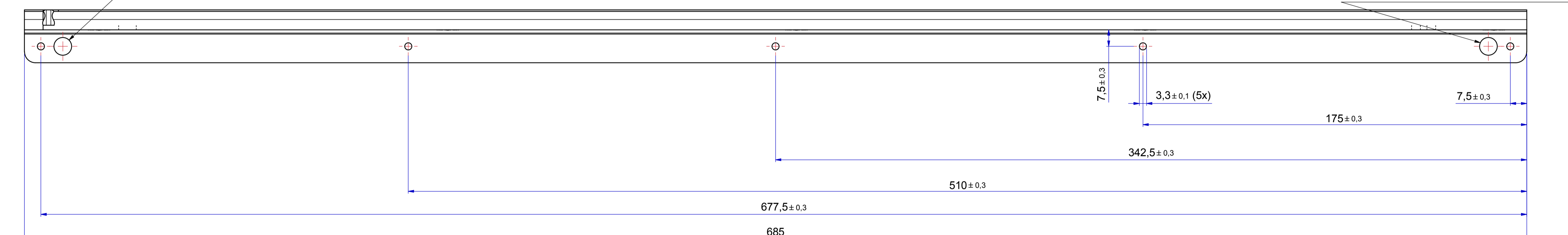
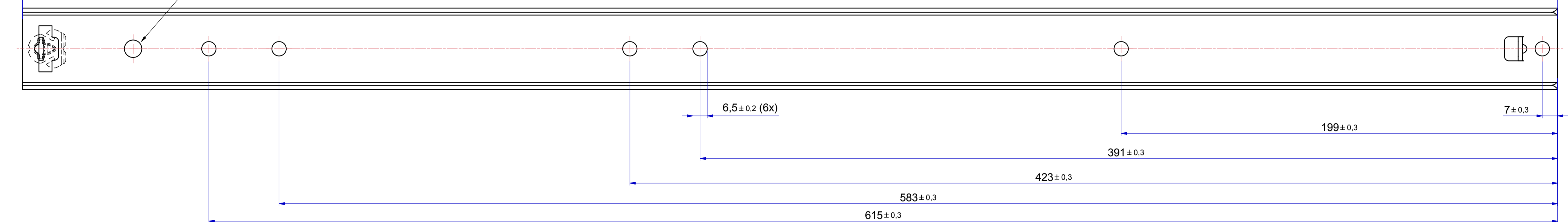
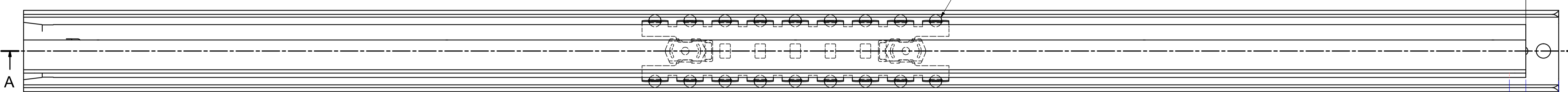
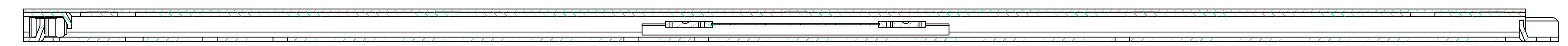
D



511-07-247-FA1



513-07-247-FA2



Released for Production

Right hand slide is shown part,
Left hand slide is opposite part.

Dimensions between marks are guide dimensions.

Thomas Regout Int. B.V. reserves the right to alter
non-customer specific specifications without notice.

02	-	-	-	-	-
01	-	-	-	-	-
00	15-06-2015	GETEKEND IN INVENTOR, LASPUNTEN	-	-	W.Jans
Rev	Date	Description	Designer		
Designer	J.Bastings	Gen.Tol.Dim. ± 0.5	Third angle projection	Material	
Date	11-8-1994	Gen.Tol.Angle ± 0.5		Treatment	
Approver		Gen.Roughness Ra		Draw type	Fabrication
Date		Units mm/deg.	Scale 1 : 1	Type	Model No. E000031162
Description					
FINN 700.0 / 541.0 (13,5mm)					
Format					Released for Production
A1			Item No.	107-247	Revision
© THOMAS REGOUT INTERNATIONAL BV, Industrieweg 40, 6219 NR, Maastricht, The Netherlands, +31 (0)43 351 66 66 All rights are reserved.					