

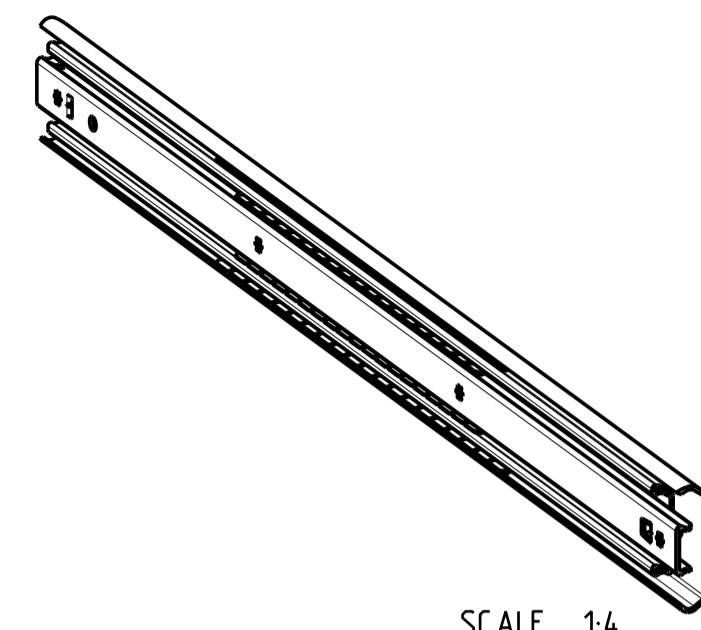
1 2 3 4 5 6 7 8 9 10 11 12 13 14 15 16 17 18 19 20

T 1-2 = 418.0
T 2-3 = 432.0

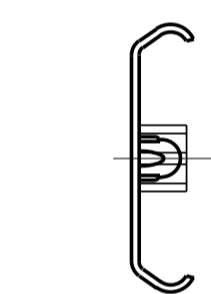
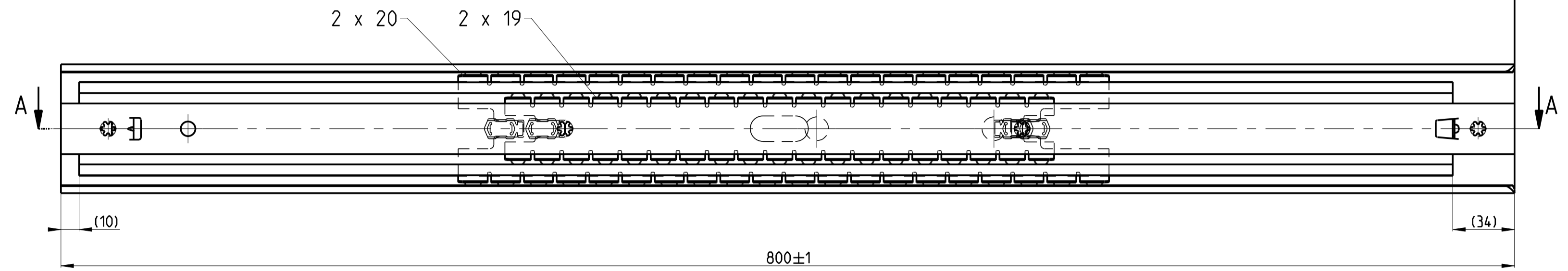
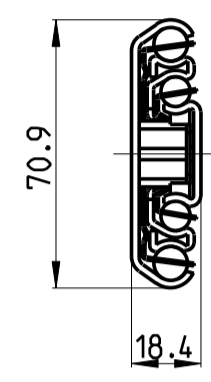


SECTION A-A

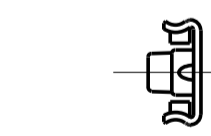
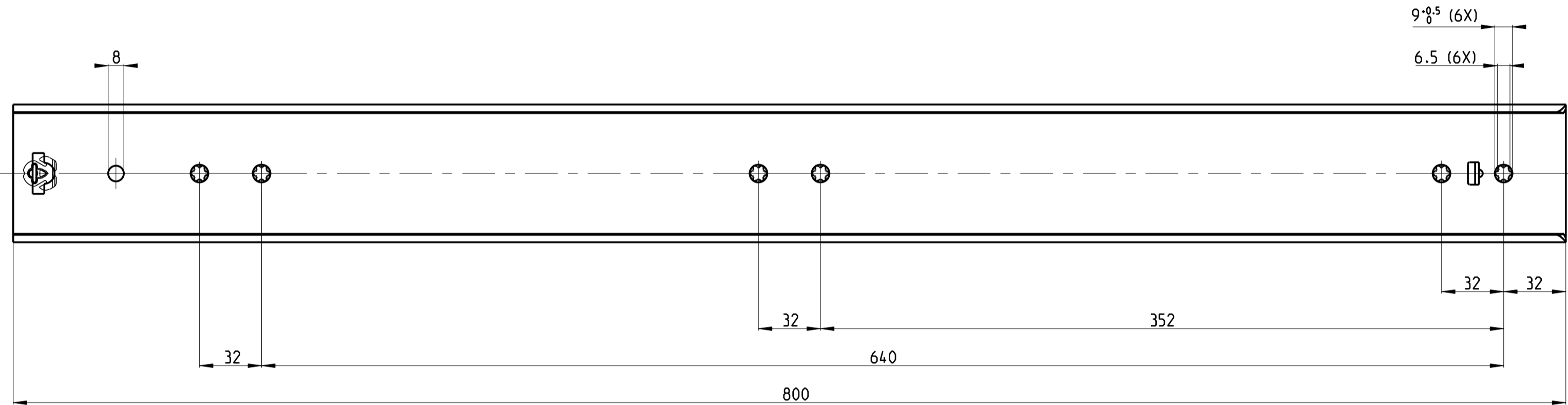
EXTENSION 850 \pm 4 mm



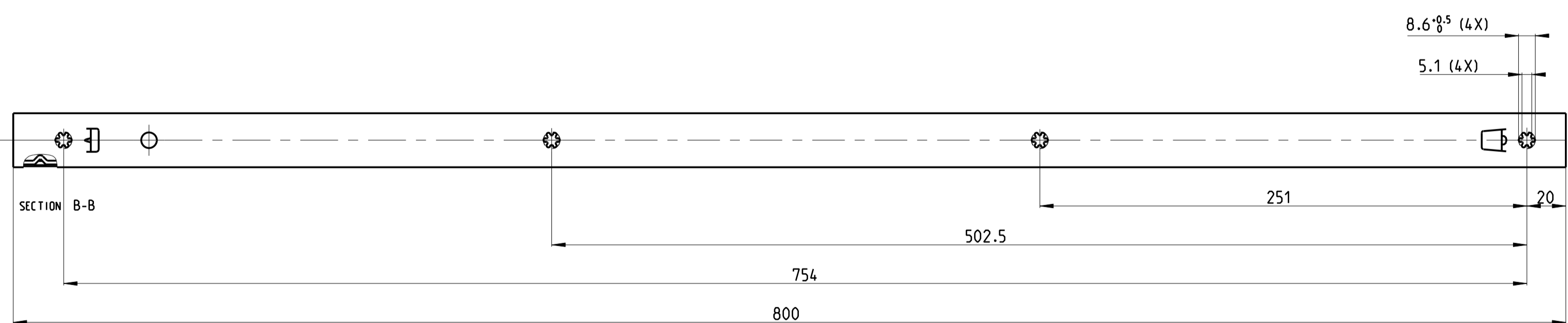
SCALE 1:4



511-01-S29-TA1



513-01-S29-TA3



PRO/ENGINEER Drawing		Dimensions between marks are guide dimensions.		Thomas Regout Int. B.V. reserves the right to alter non-customer specific specifications without notice.	
Was: - 101-037-00		Tolerances unless otherwise stated \pm 0.5mm.			
American projection	DIMENSION	mm	MAT.:	-	
	SCALE	1:2	REM.:	RIGHT HAND SLIDE = LEFT HAND SLIDE	
	DATE	22-09-2011			
	DESIGNER	M. Mahieu			
	CHECKED	-		Type D	
TITAN 800.0 / 850.0 (18.5mm)					
THOMAS REGOUT INTERNATIONAL BV			Drw. Nr.	Format.	
			101-S29 _ 00	A1	
© Thomas Regout International BV All rights are reserved.			Production		

04	-	-	-	-	05	-	-	-	-	06	-	-	-	-
01	-	-	-	-	02	-	-	-	-	03	-	-	-	-