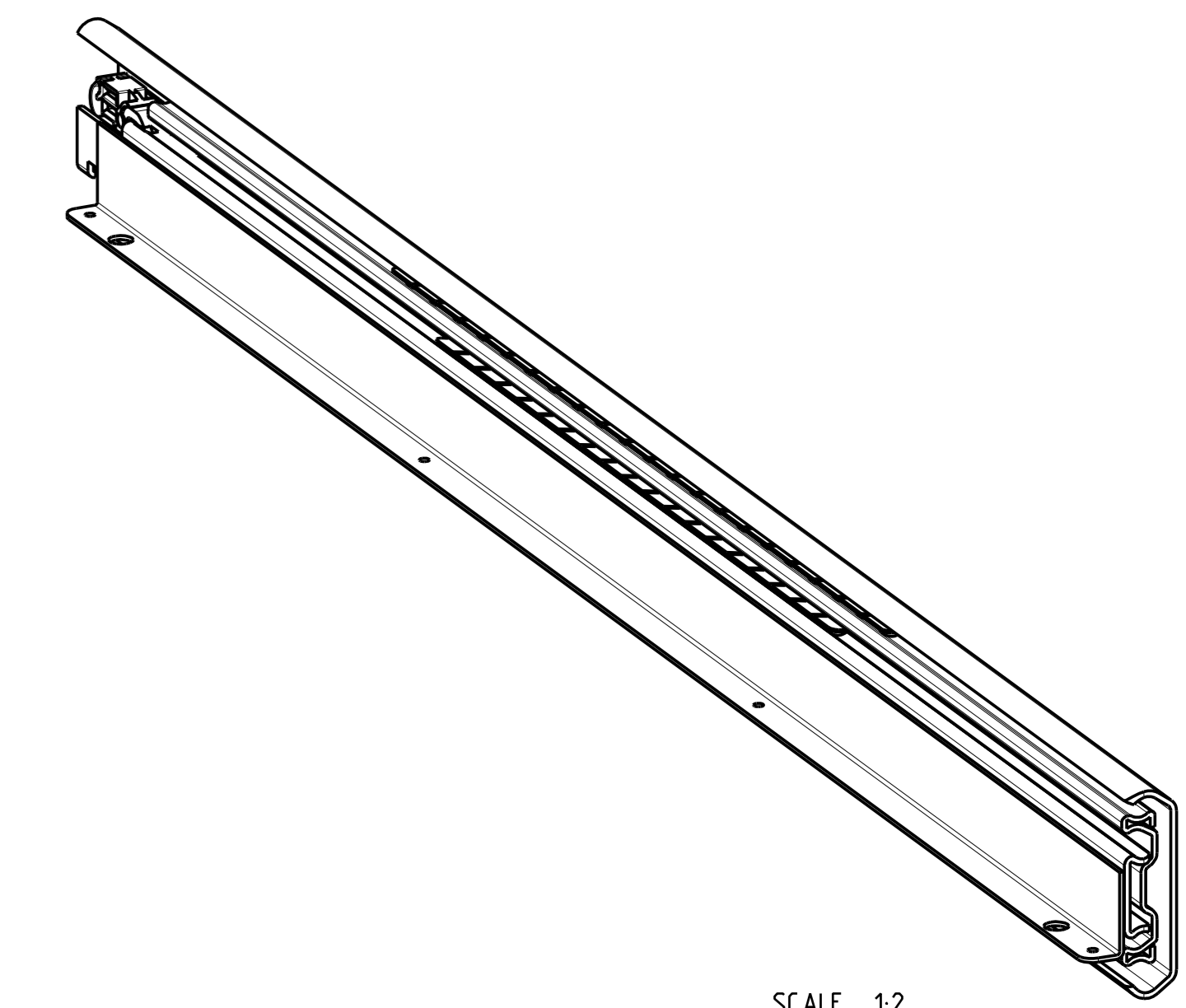
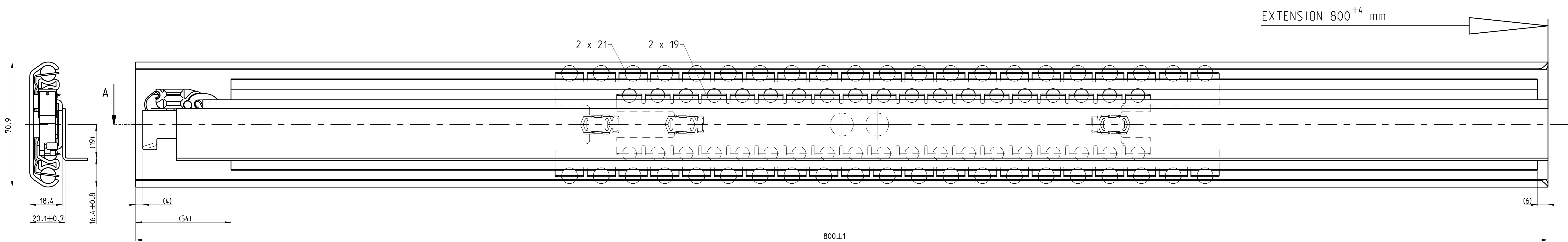
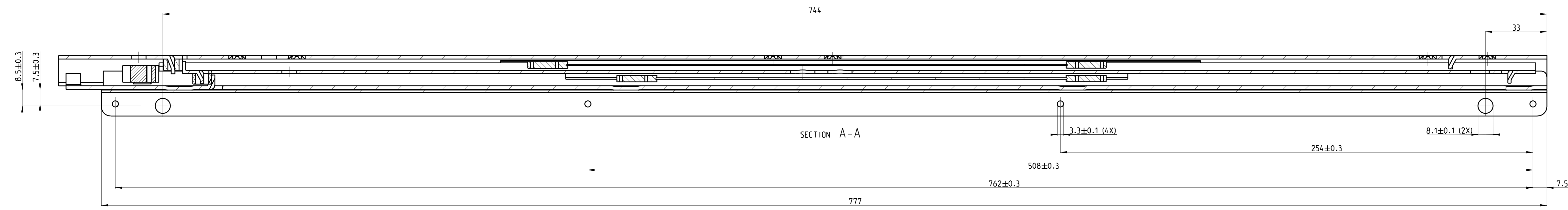


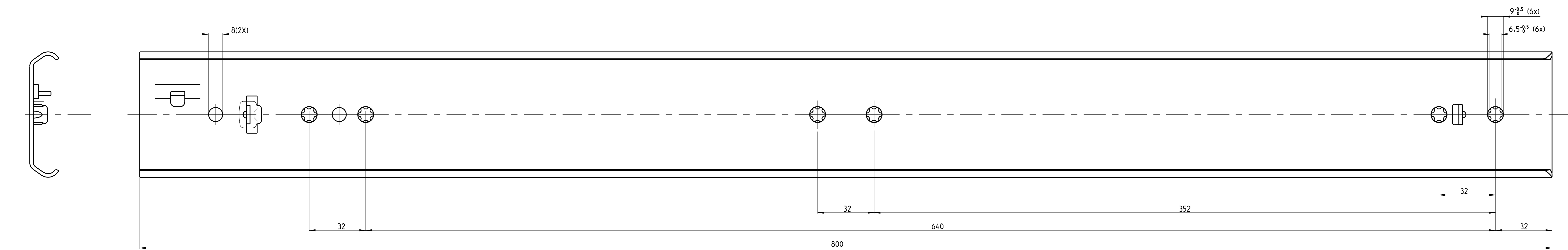
T 1-2 = 368.0
T 2-3 = 432.0



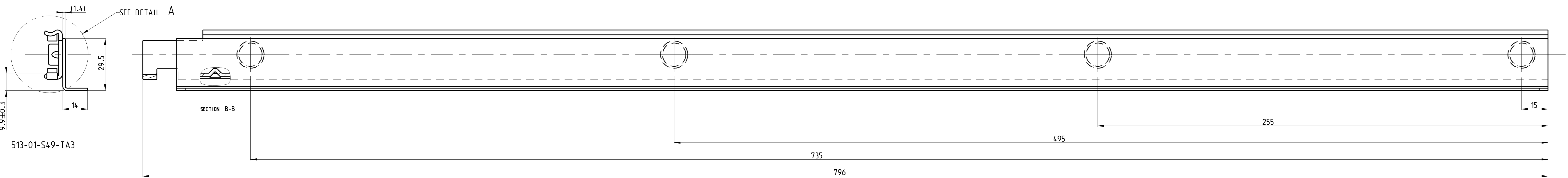
SCALE 1:2



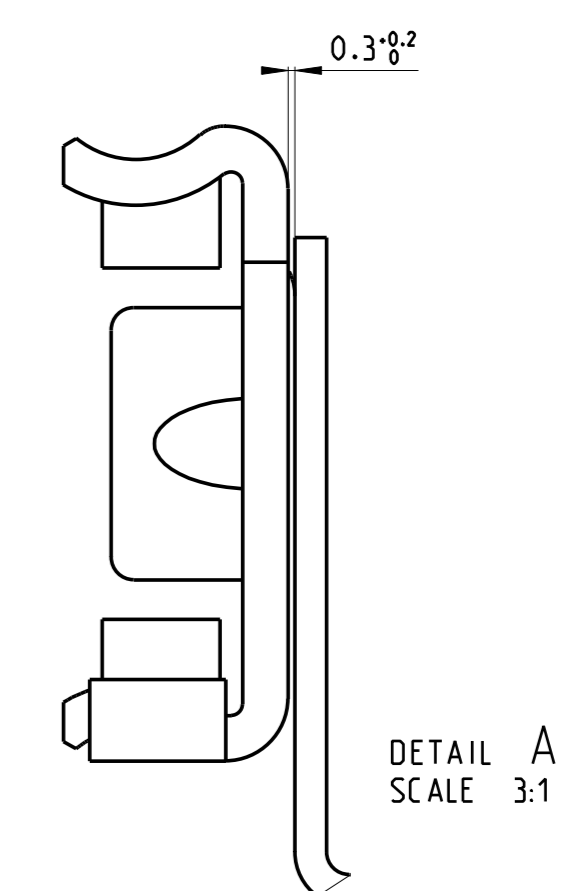
FRONT



511-01-S49-TA1



513-01-S49-TA3



DETAIL A
SCALE 3:1

PRO/ENGINEER Drawing Was: -	Dimensions between marks are guide dimensions. Tolerances unless otherwise stated ±0.5mm.	Thomas Regout Int. B.V. reserves the right to alter non-customer specific specifications without notice.
American projection	DIMENSION SCALE 1:1 DATE 02-08-2011 DESIGNER J. Schreurs CHECKED -	MAT.: - REM.: RIGHT HAND SLIDE IS SHOWN PART. LEFT HAND SLIDE IS OPPOSITE PART. FAILSAFE: RIGHT HAND SLIDE = LEFT HAND SLIDE TYPE E
TITAN 800,0 / 800,0 (18,5mm)		
THOMAS REGOUT INTERNATIONAL BV		Draw. Nr. 101-S49_00 Format. A0
© Thomas Regout International BV. All rights are reserved.		Production