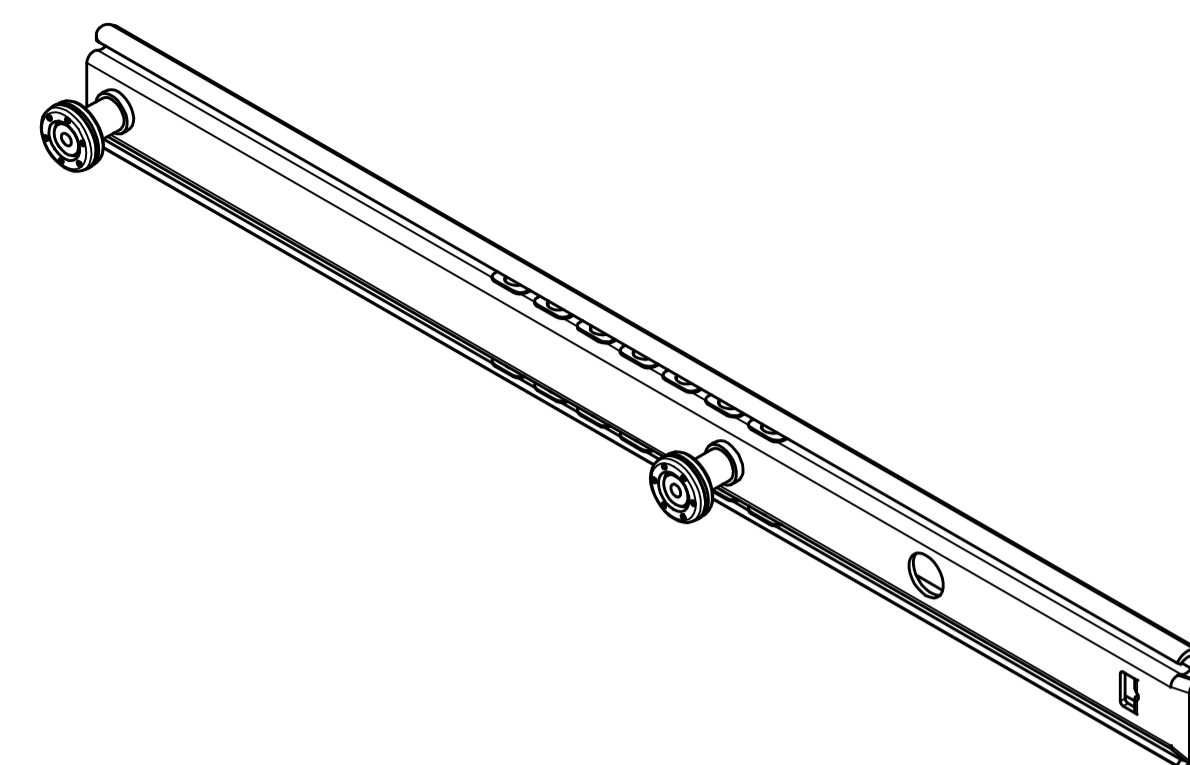
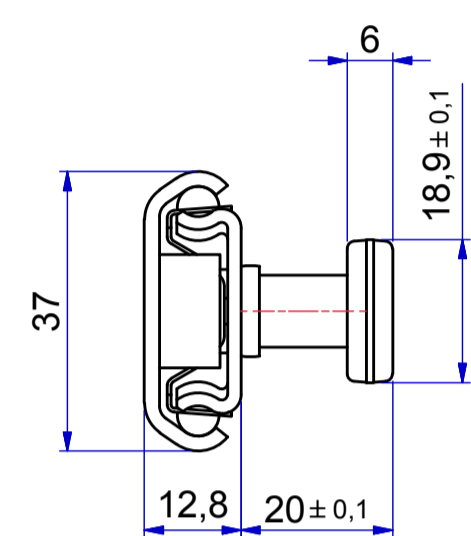
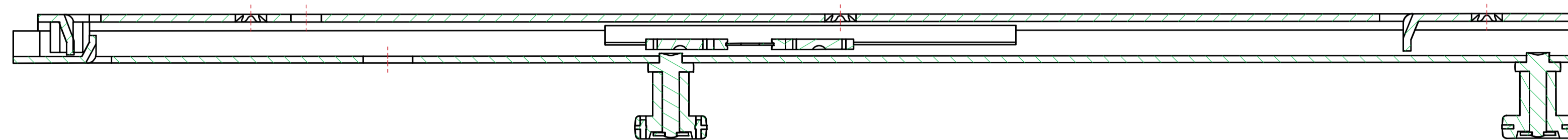


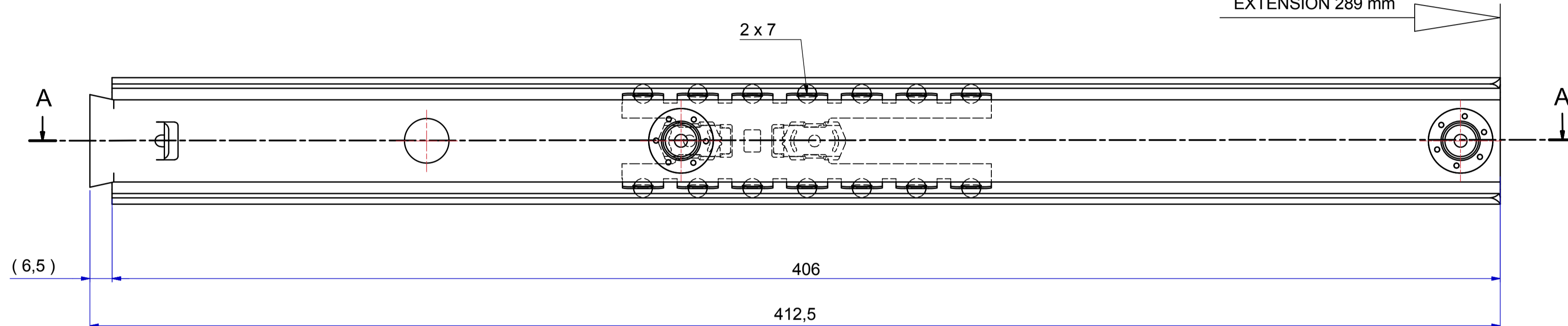
T 1 - 2 = 289,0 mm



A-A (1:1)

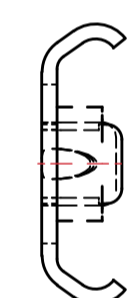


EXTENSION ± 2 289 mm

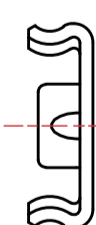
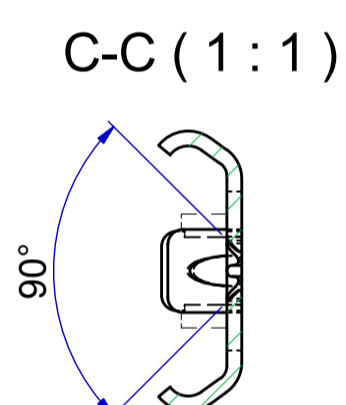
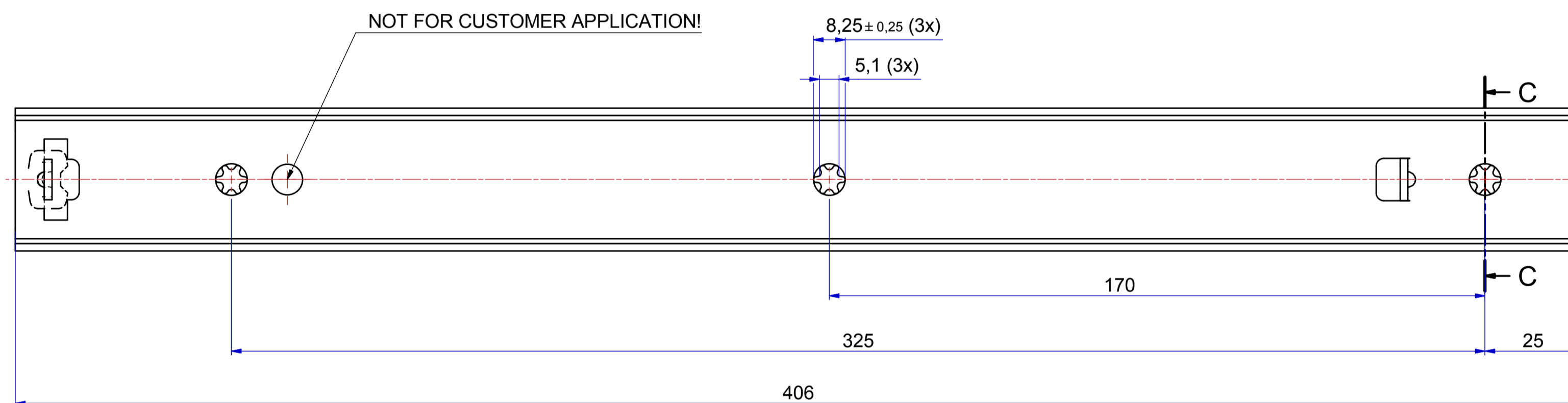


FRONT

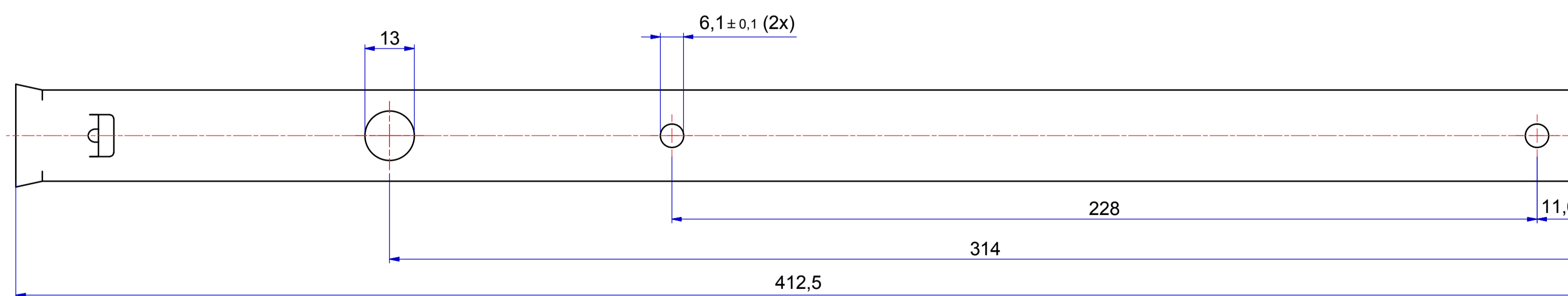
NOT FOR CUSTOMER APPLICATION!



511-27-A10-FV1



513-27-A10-VA3



Right hand slide = Left hand slide.
 Dimensions between marks are guide dimensions.
 Thomas Regout Int. B.V. reserves the right to alter non-customer specific specifications without notice.

Released for Production

03	-	-	-	-
02	-	-	-	-
01	24-08-2016	Screw holes cabinet member replaced	-	M. Lamkin
Rev	Date	Description	Designer	
Designer	W.Jans	Gen.Tol.Dim. ± 0.5	Third angle projection	Material
Date	16-9-2015	Gen.Tol.Angle ± 0.5		Treatment
Approver		Gen.Roughness Ra		Draw type Fabrication
Date		Units mm/deg.	Scale 1 : 1	Type Model No. E000034944
Description				
FINN SV 412.5 / 289.0 (12,8mm)				
				Released for Production
Format			Item No.	Revision
A1			127-A10	01
© THOMAS REGOUT INTERNATIONAL BV, Industrieweg 40, 6219 NR, Maastricht, The Netherlands, +31 (0)43 351 66 66 All rights are reserved.				