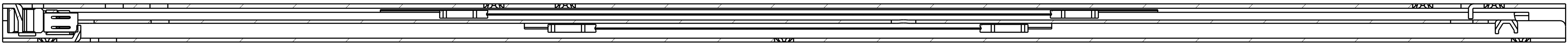


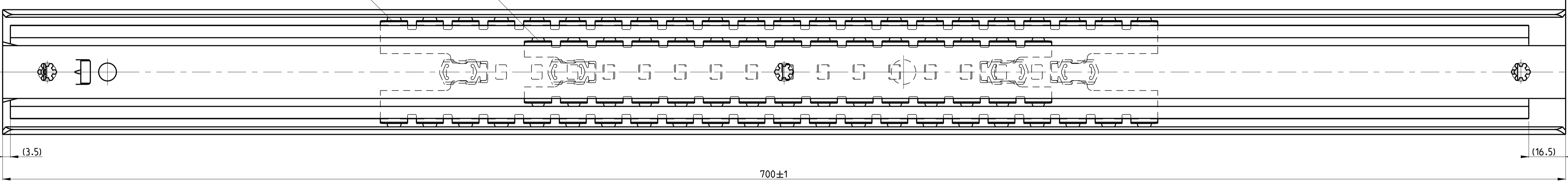
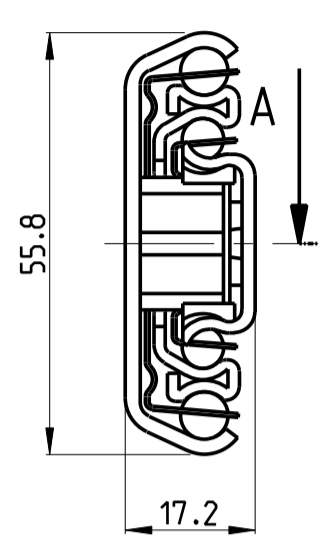
1 2 3 4 5 6 7 8 9 10 11 12 13 14 15 16 17 18 19 20

T 1-2 = 331.5
T 2-3 = 418.5

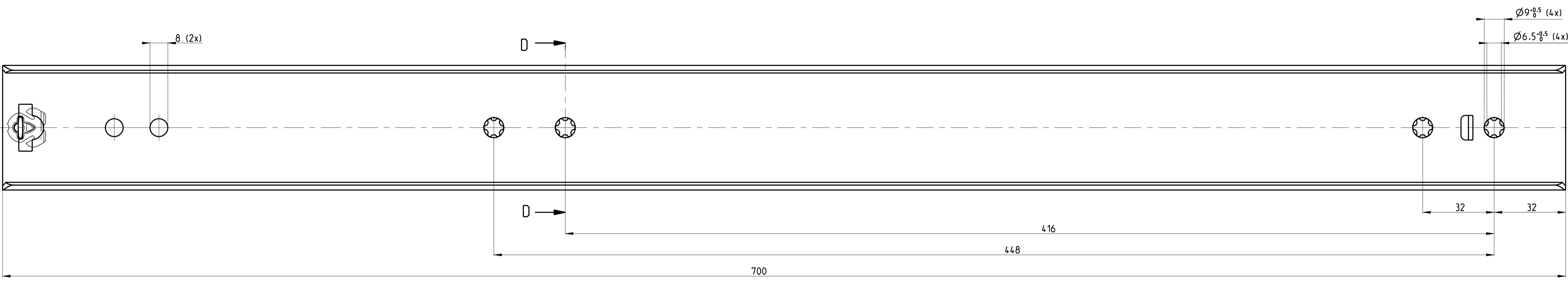
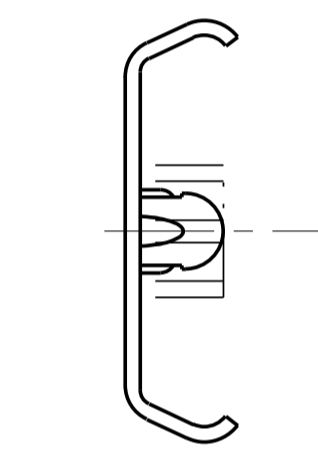


SECTION A-A

EXTENSION 750 ± 4 mm

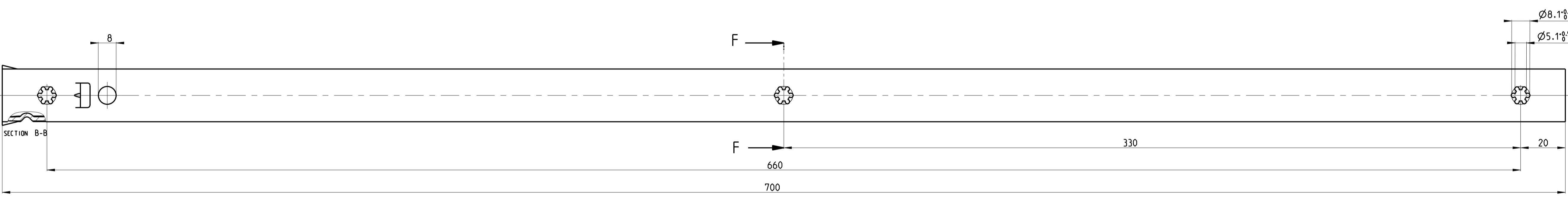
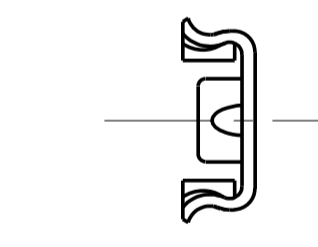


FRONT



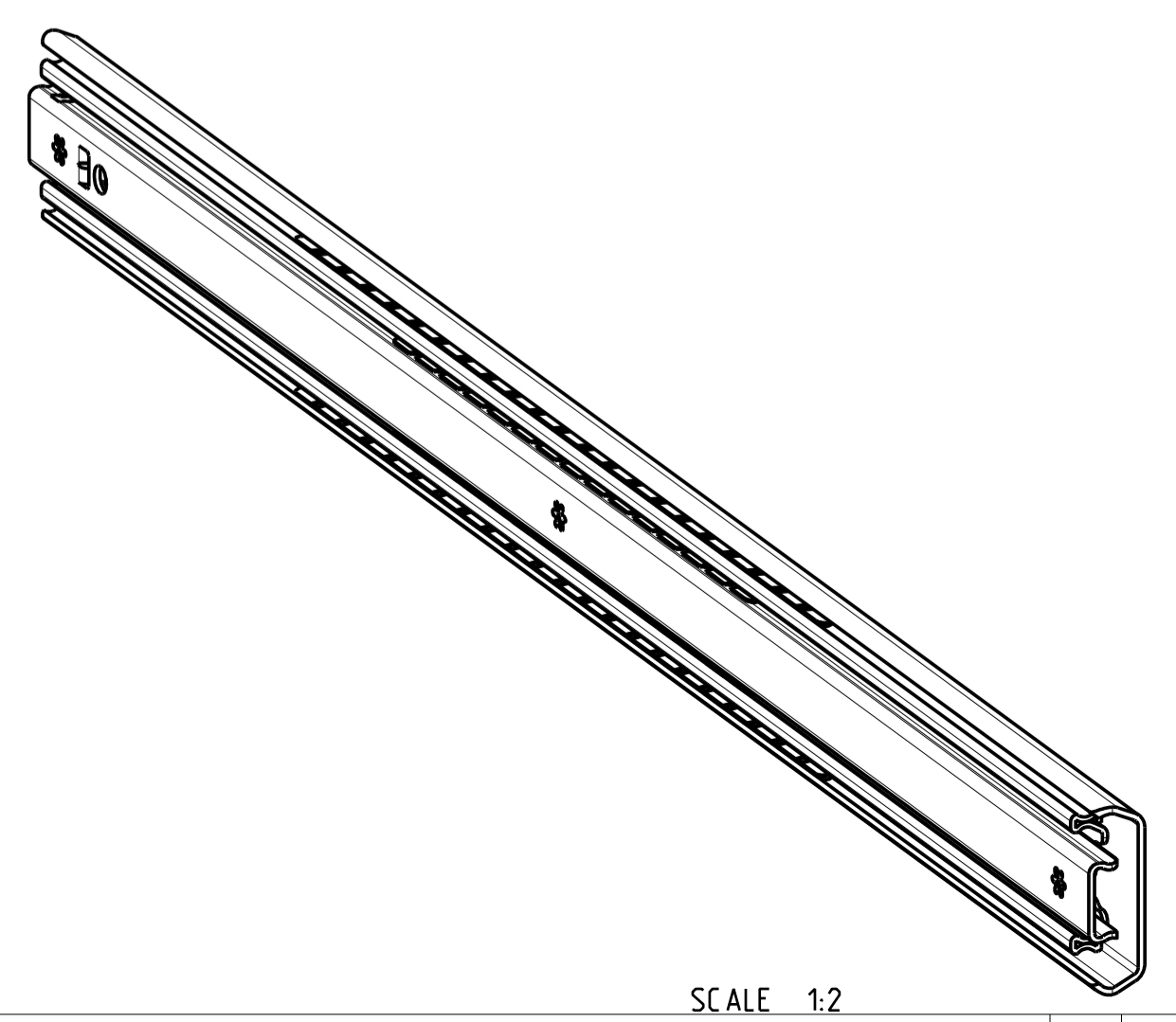
SECTION D-D

511-12-S28-HDA



SECTION F-F

513-12-S28-UB3



SCALE 1:2

PRO/ENGINEER Drawing Was: - 112-F62-00		Dimensions between marks are guide dimensions. Tolerances unless otherwise stated ± 0.5 mm.		Thomas Regout Int. B.V. reserves the right to alter non-customer specific specifications without notice.	
American projection	DIMENSION	mm	MAT.:	-	
	SCALE	1:1	REM.:	Right hand slide = left hand slide.	
	DATE	16-08-2011			
	DESIGNER	M. Mahieu			
	CHECKED	-	Type	D	
ULF HD 700.0 / 750.0 (17.2mm)					
THOMAS REGOUT INTERNATIONAL BV			Drw. Nr.	112-S28 _ 00	Format. A1
© Thomas Regout International BV All rights are reserved.			Production		

04	-	-	05	-	-	-	-	06	-	-	-	-
01	-	-	02	-	-	-	-	03	-	-	-	-