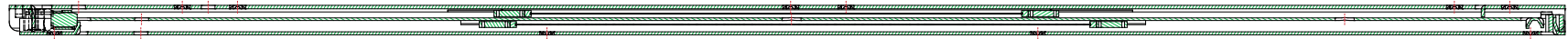
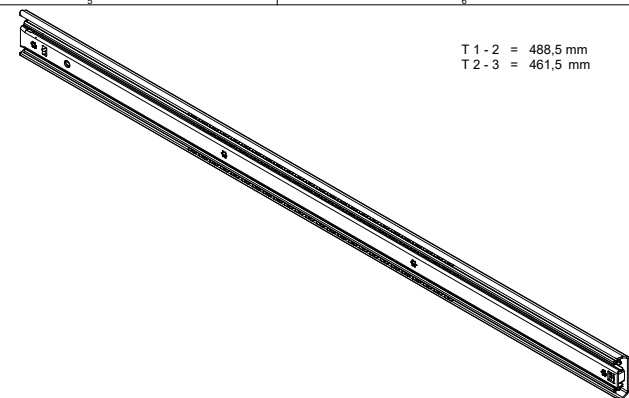
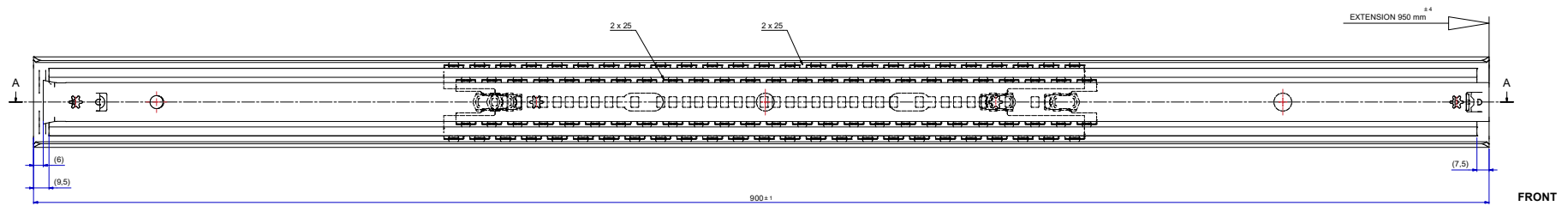


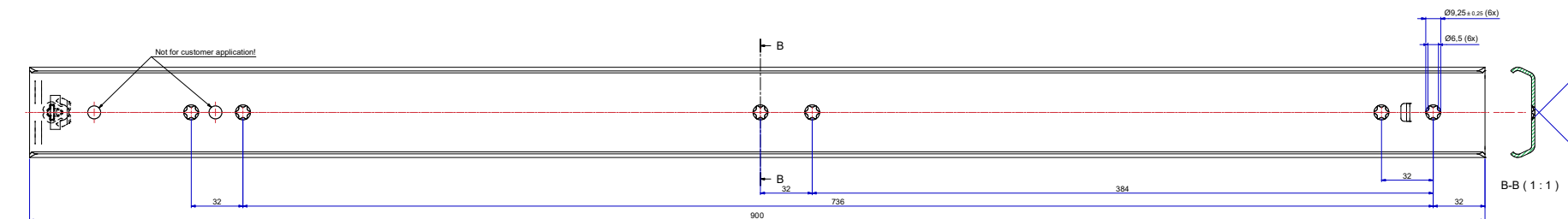
T 1 - 2 = 488,5 mm
T 2 - 3 = 461,5 mm



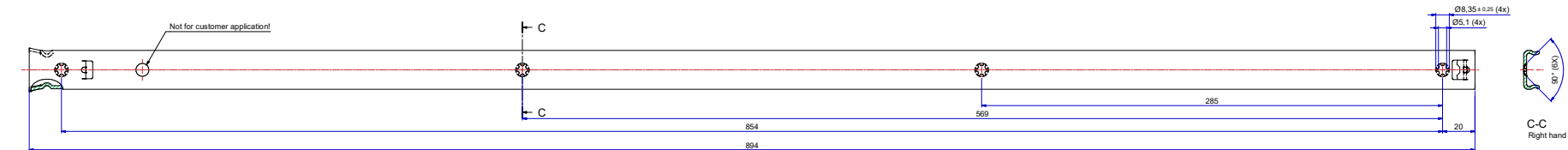
A-A (1:1)



FRONT



B-B (1:1)



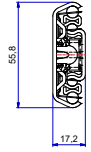
C-C

Right hand slide = Left hand slide.

Dimensions between marks are guide dimensions.

Thomas Regout Int. B.V. reserves the right to alter non-customer specific specifications without notice.

Released for Production



511-12-S30-HDA



514-12-S30-UB3

Rev.	1	16-11-16	ENY 1006020020 DP 115 Rev. 06-115	OK
Drawn	B. Groot	Gen. Techn.	2, 0, 0	Designer
Date	9-9-2011	Gen. Techn.	2, 0, 0	Technical
Approved		Gen. Techn.	2, 0, 0	Drawn
Date		Gen. Techn.	2, 0, 0	Fabrication
		Gen. Techn.	2, 0, 0	Doc. No. E000139641
		Gen. Techn.	2, 0, 0	Revised No. E000139649
Description				
LULF HD 900.0 / 950.0 (17,2mm)				
Form	A0	THOMAS REGOUT INTERNATIONAL B.V.	112-S30	Released for Production
© THOMAS REGOUT INTERNATIONAL B.V., Industrieweg 46, 6213 NB, Heerlen, The Netherlands, +31 (0)43 251 66 66. All rights are reserved.				