

1 2 3 4 5 6 7 8 9 10 11 12 13 14 15 16 17 18 19 20

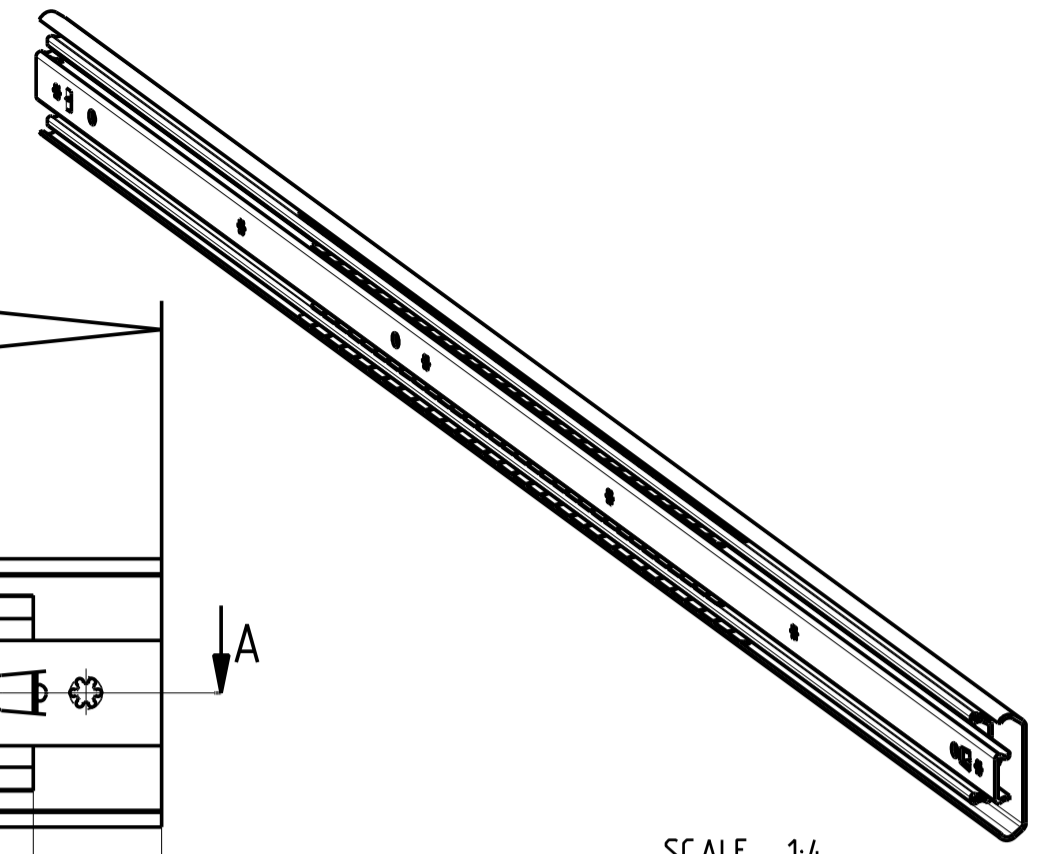
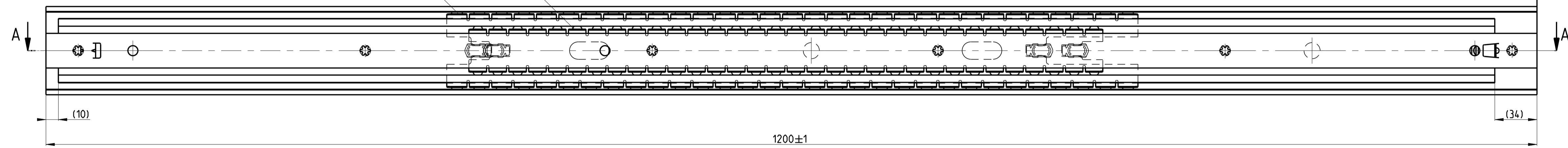
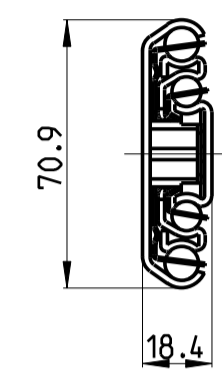
T 1-2 = 626.0
T 2-3 = 624.0



SECTION A-A

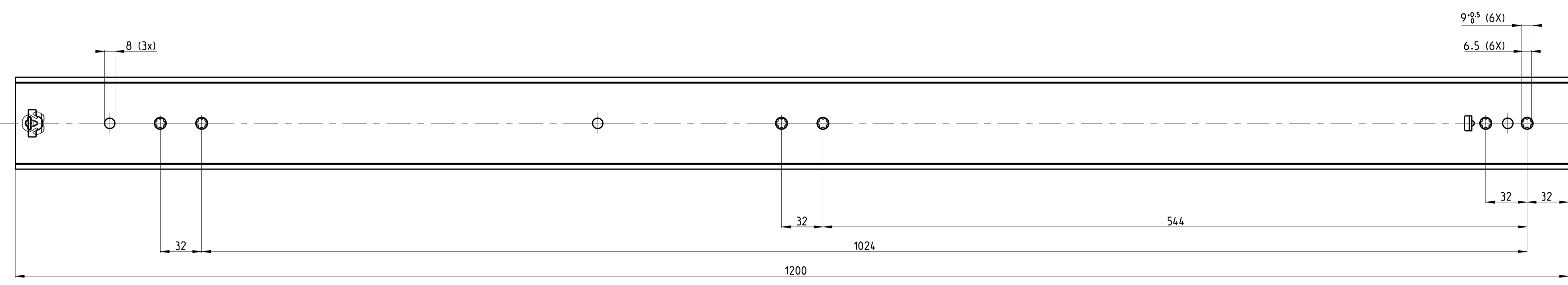
EXTENSION 1250 \pm 4 mm

2 x 31 2 x 32

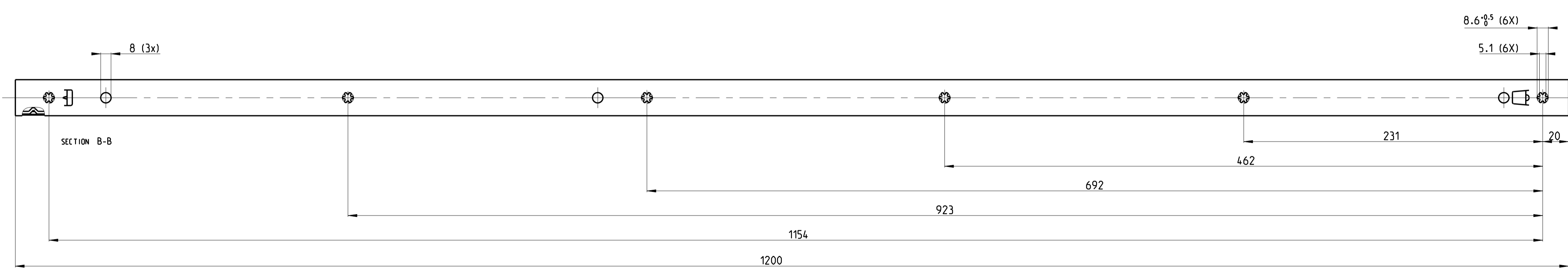


SCALE 1:4

511-01-S32-TA1



513-01-S32-TA3



PRO/ENGINEER Drawing Was: - 101-040-00		Dimensions between marks are guide dimensions. Tolerances unless otherwise stated \pm 0.5mm.		Thomas Regout Int. B.V. reserves the right to alter non-customer specific specifications without notice.	
American projection	DIMENSION	mm	MAT.:	-	
	SCALE	1:2	REM.:	RIGHT HAND SLIDE = LEFT HAND SLIDE	
	DATE	26-09-2011			
	DESIGNER	M. Mahieu			
	CHECKED	-		Type D	
TITAN 1200.0 / 1250.0 (18,5mm)					
			Drw. Nr.	Format.	
			101-S32 _ 00	A1	
© Thomas Regout International BV All rights are reserved. Production					

04	-	-	05	-	-	-	-	06	-	-	-	-
01	-	-	02	-	-	-	-	03	-	-	-	-