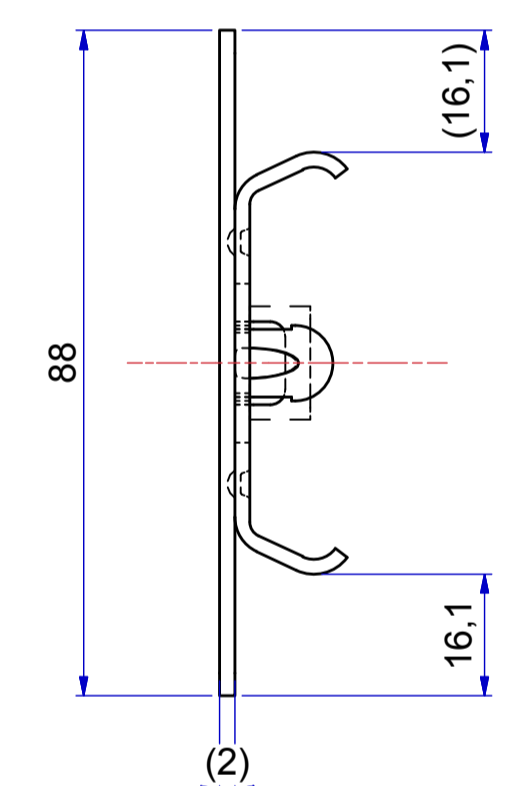
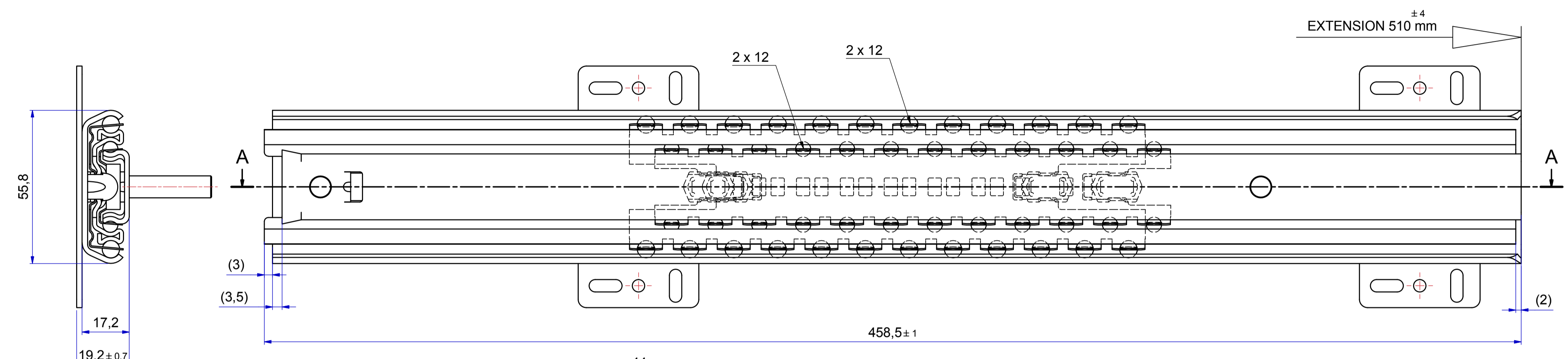
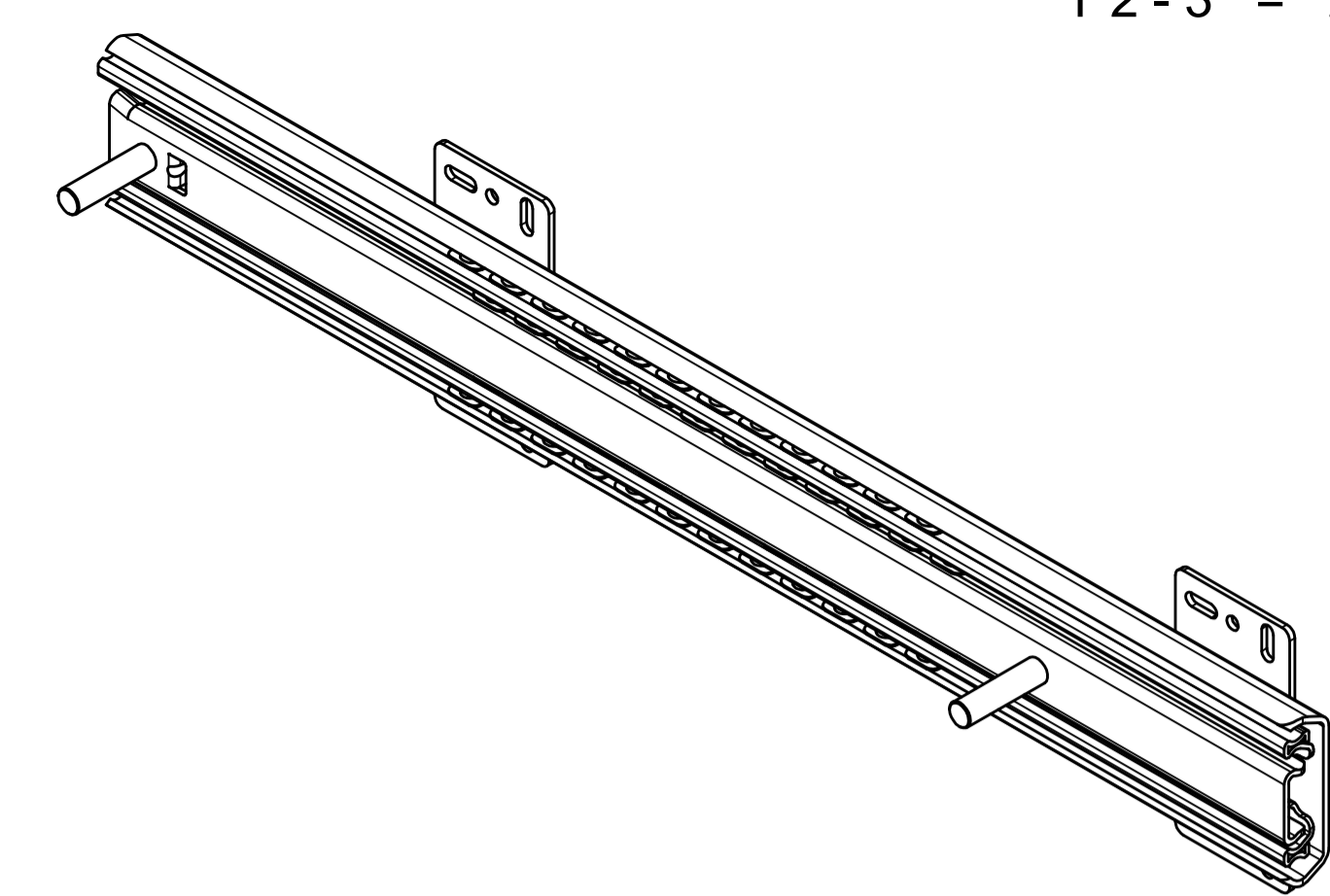
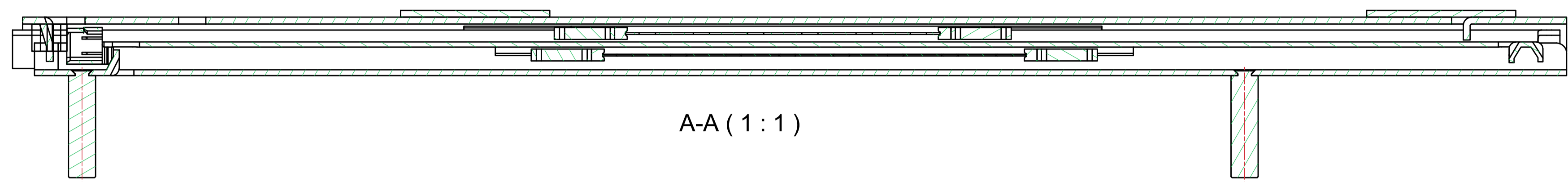
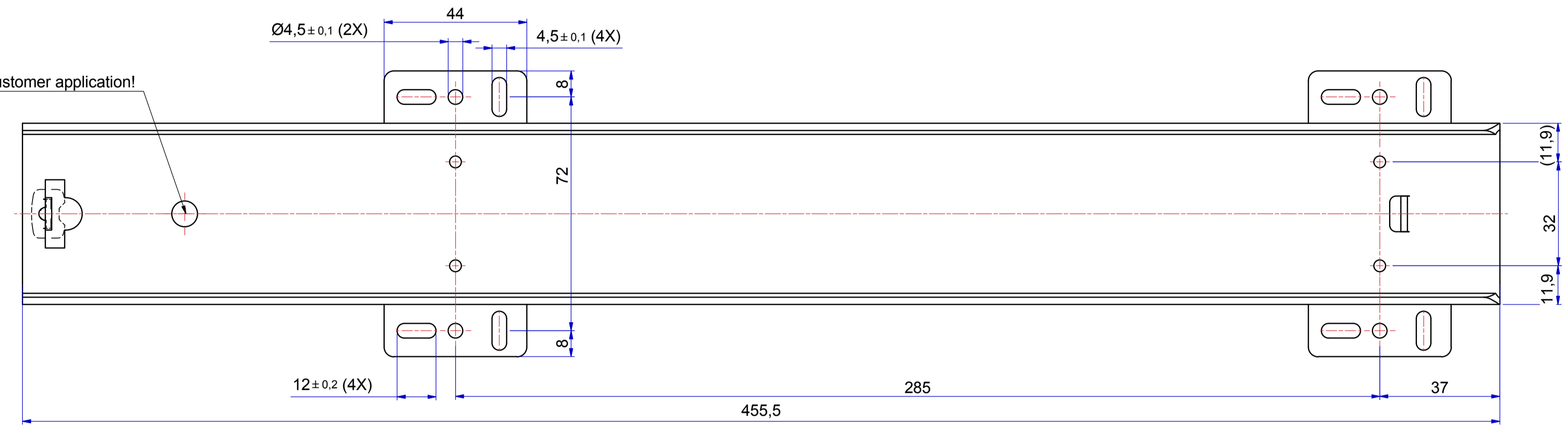


T 1 - 2 = 266,7 mm  
T 2 - 3 = 243,3 mm

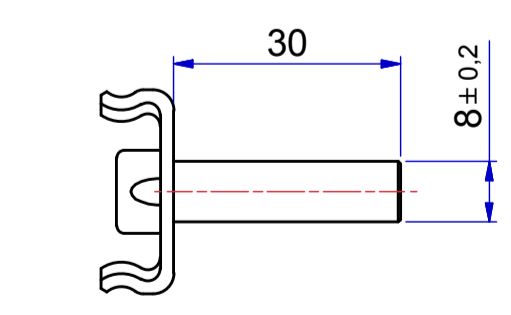
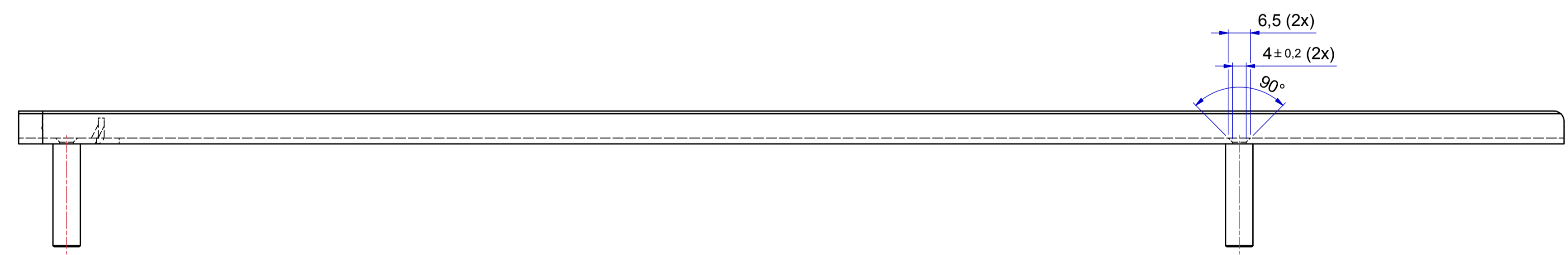


511-24-B34-VDA

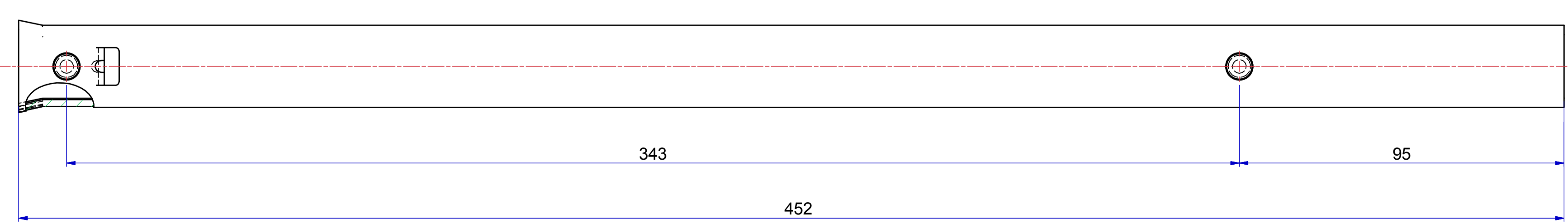
Not for customer application!



FRONT



513-24-B34-VB3



Released for Production

Right hand slide = Left hand slide.

Dimensions between marks are guide dimensions.

Thomas Regout Int. B.V. reserves the right to alter non-customer specific specifications without notice.

Designer	W.Jans	Gen.Tol.Dim.	$\pm 0,5$	Third angle projection	Material
Date	25-8-2015	Gen.Tol.Angle	$\pm 0,5$		Treatment
Approver		Gen.Roughness	Ra		Draw type
Date		Units	mm/deg.	Scale	1 : 1
Description				Type	Model No.
ULF HD SV 458,5 / 510.0 (17,2mm)				Released for Production	E000034505
Format	A1	Item No.	124-B34	Revision	00
© THOMAS REGOUT INTERNATIONAL B.V., Industrieweg 40, 6219 NR, Maastricht, The Netherlands, +31 (0)43 351 66 66 All rights are reserved.					