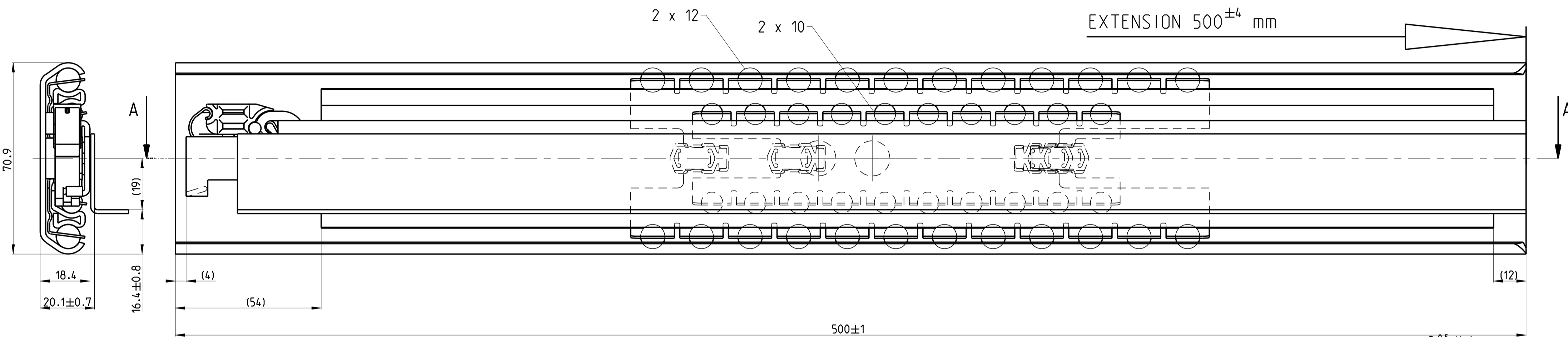
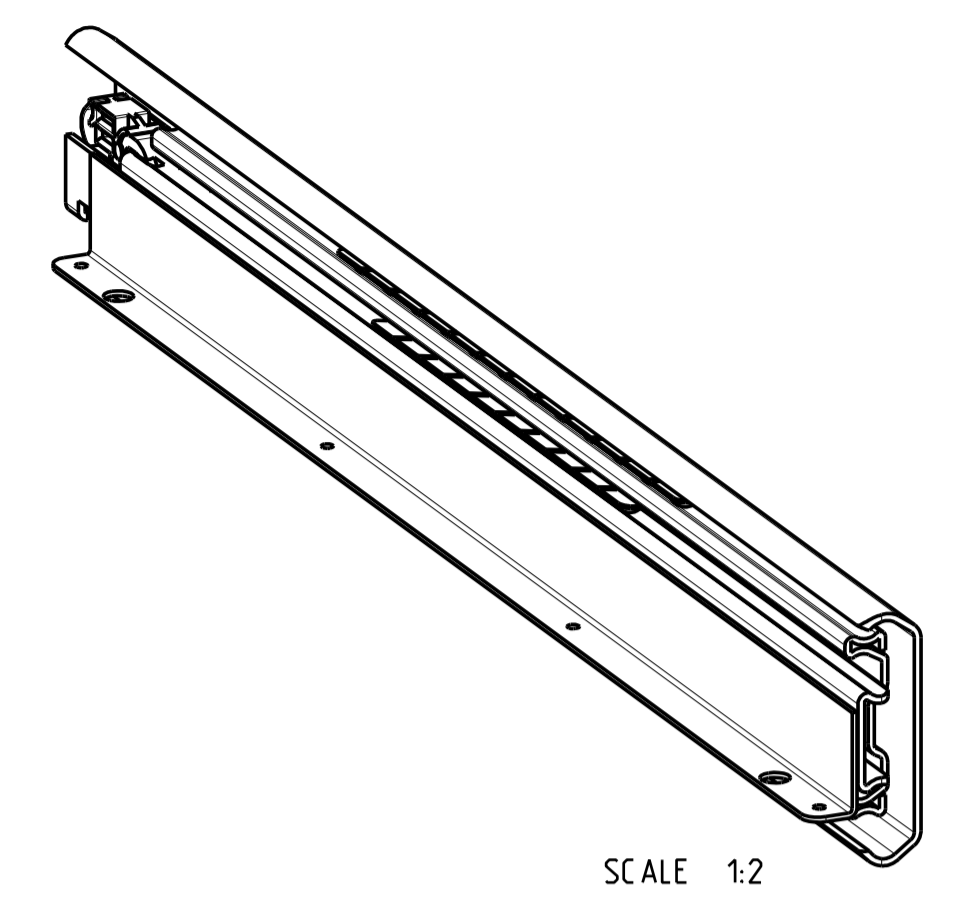
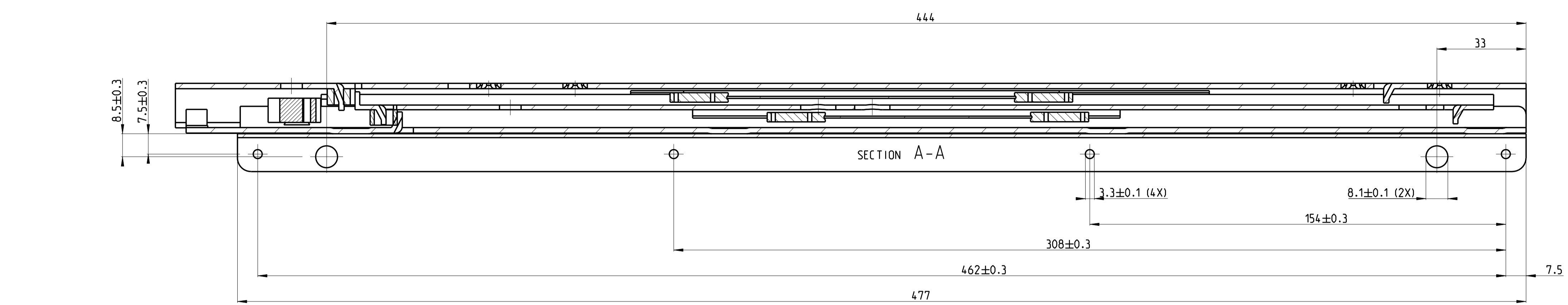
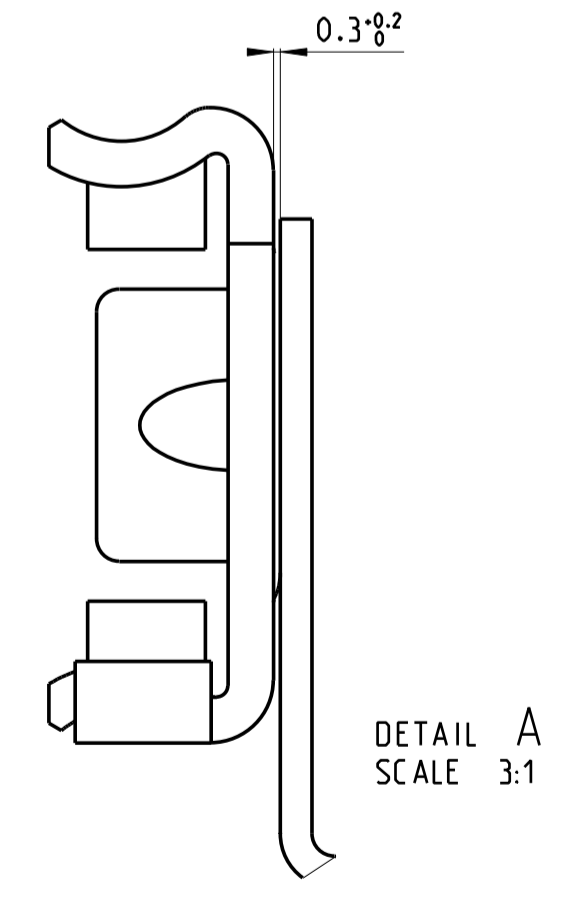
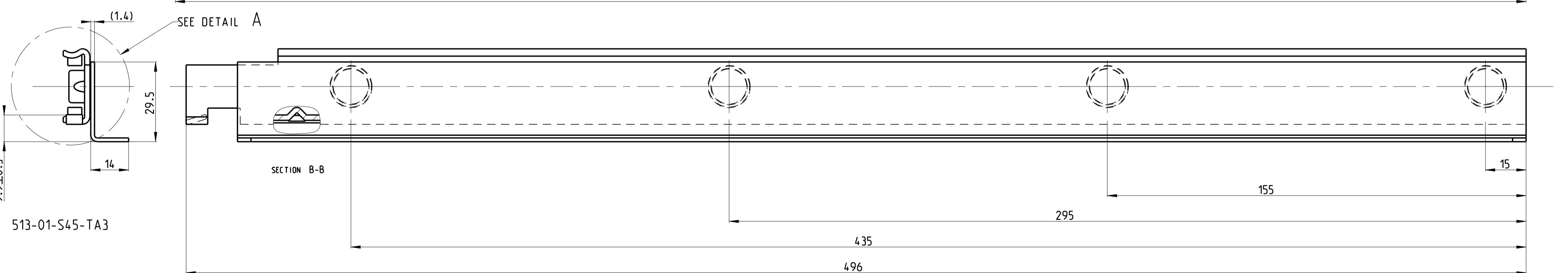
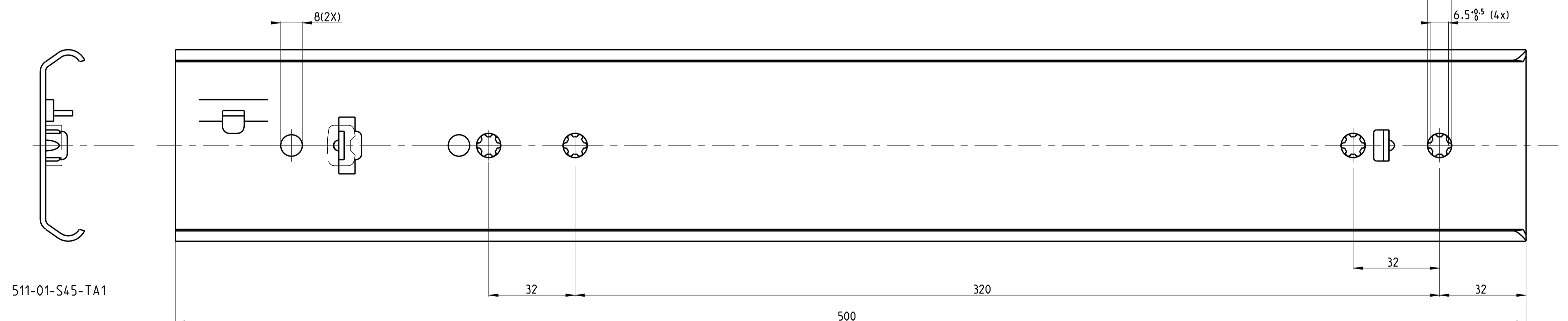


1 2 3 4 5 6 7 8 9 10 11 12 13 14 15 16 17 18 19 20

T 1-2 = 230.0
T 2-3 = 270.0



FRONT



PRO/ENGINEER Drawing		Dimensions between marks are guide dimensions. Tolerances unless otherwise stated ±0.5mm.		Thomas Regout Int. B.V. reserves the right to alter non-customer specific specifications without notice.	
Was: - -					
American projection	DIMENSION	mm	MAT.: -		
	SCALE	1:1	REM.: RIGHT HAND SLIDE IS SHOWN PART.		
	DATE	01-08-2011	LEFT HAND SLIDE IS OPPOSITE PART.		
	DESIGNER	J. Schreurs	FAILSAFE: RIGHT HAND SLIDE = LEFT HAND SLIDE		
CHECKED	-	TYPE E			
TITAN 500.0 / 500.0 (18.5mm)					
THOMAS REGOUT INTERNATIONAL BV			Drw. Nr.	Format.	
			101-S45 _ 00	A1	
© Thomas Regout International BV All rights are reserved.			Production		

04	-	-	05	-	-	-	-	06	-	-	-	-
01	-	-	02	-	-	-	-	03	-	-	-	-