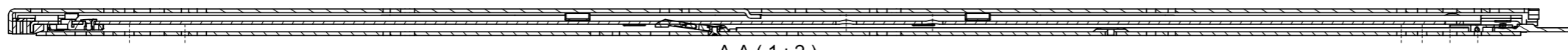
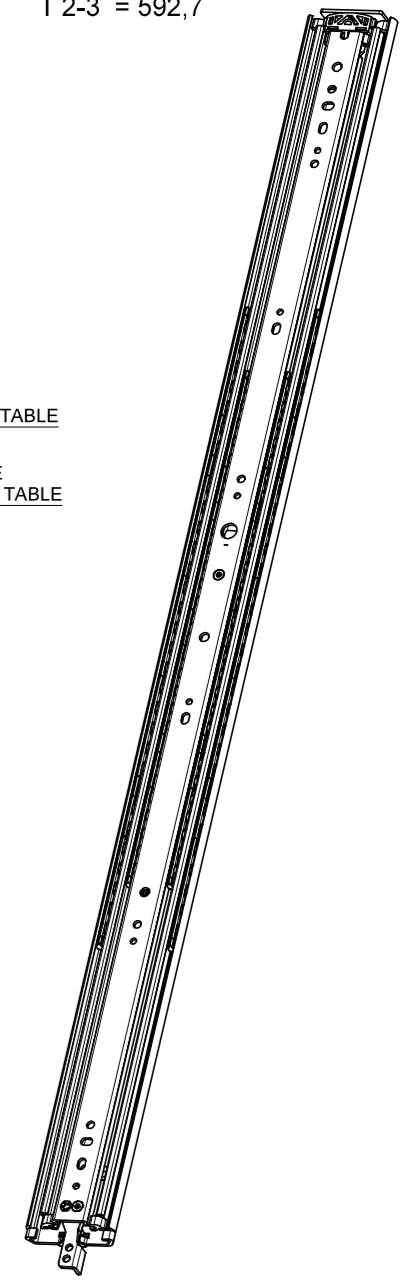
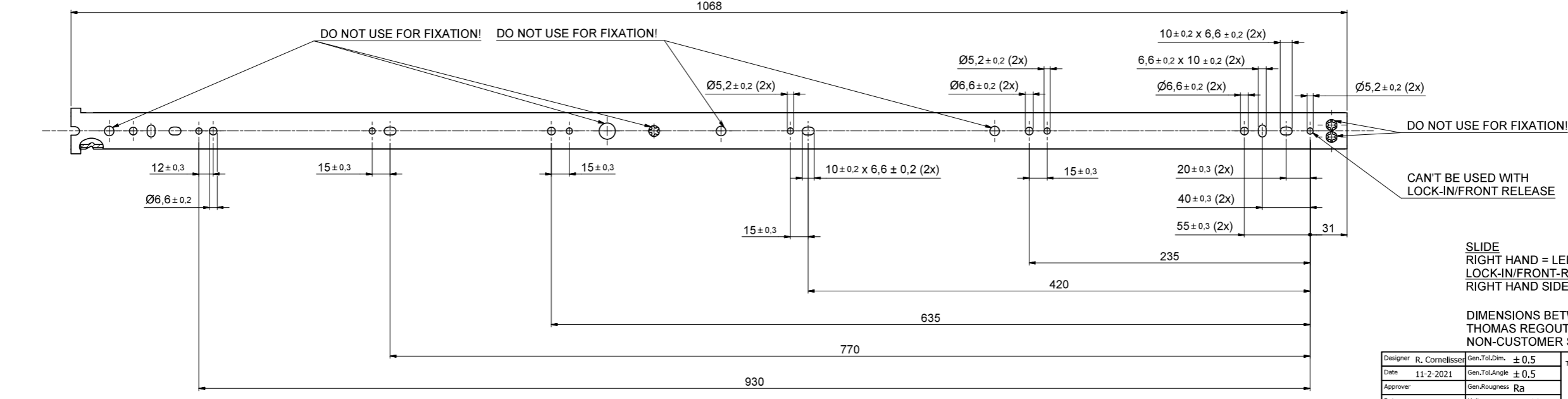
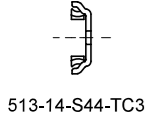
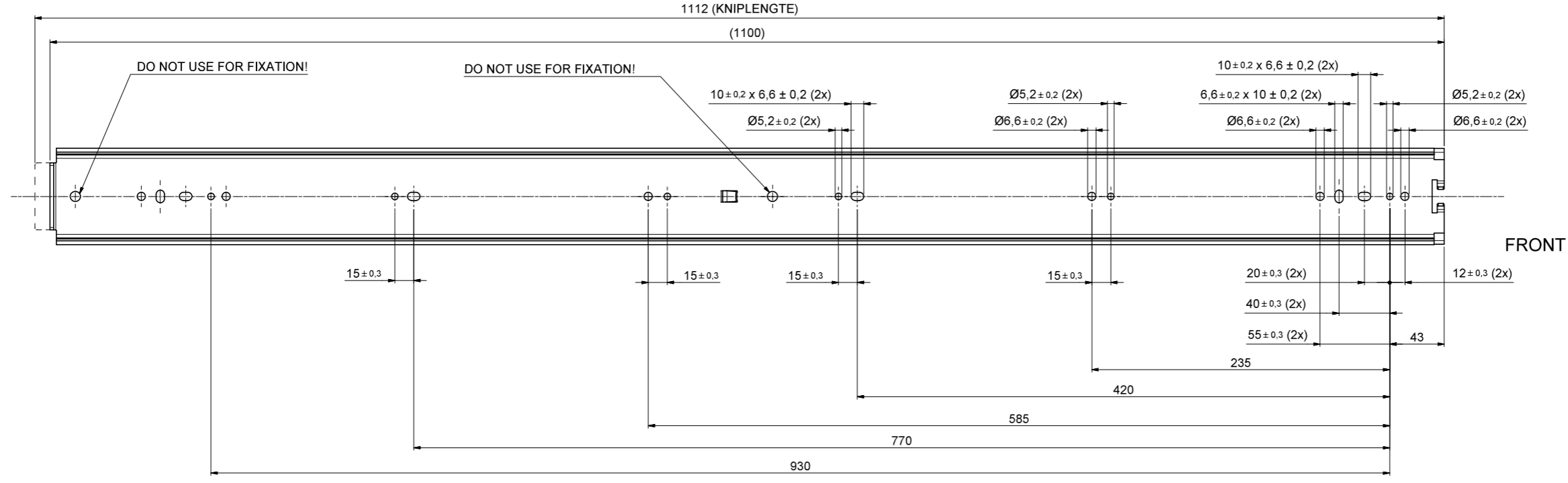
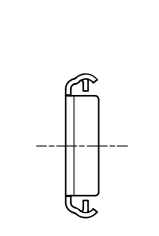
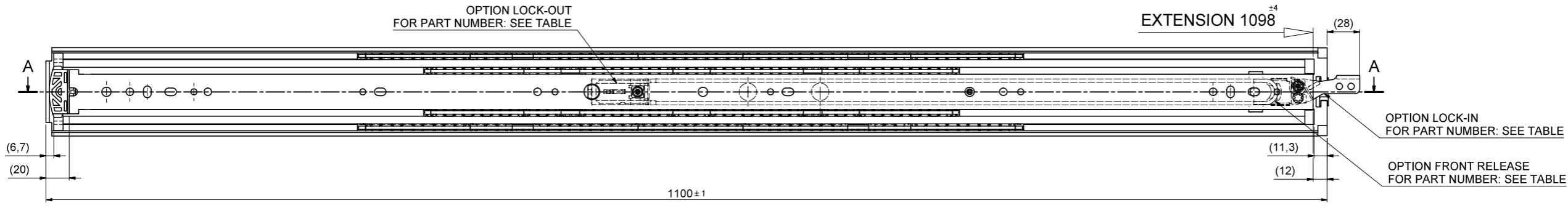
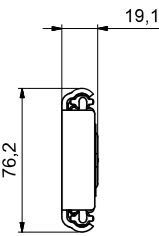


T 1-2 = 505,3
T 2-3 = 592,7



A-A (1:2)



SLIDE
RIGHT HAND = LEFT HAND
LOCK-IN/FRONT-RELEASE
RIGHT HAND SIDE SHOWN, LEFT HAND SIDE IS MIRRORED

DIMENSIONS BETWEEN MARKS ARE GUIDE DIMENSIONS.
THOMAS REGOUT INT. B.V. RESERVES THE RIGHT TO ALTER
NON-CUSTOMER SPECIFIC SPECIFICATIONS WITHOUT NOTICE.

Designer	R. Cornelissen	Gen.Tol.Dim.	± 0,5	Third angle projection	Material
Date	11-2-2021	Gen.Tol.Angle	± 0,5		Treatment
Approver		Gen.Roughness	Ra		Draw type
Date		Units	mm/deg.	Scale	1:2
Description				Type	Model No.
TR7619 1100 / 1098 (19,1mm)				Released for Production	

Format	A1	STANDARD	LOCK-IN	LOCK-OUT	LOCK-IN & LOCK-OUT & FRONT-RELEASE
PART NUMBER	114S44	114S44A	114S44B	114S44D	114S44D

Item No.	114-S44	Revision	00
© THOMAS REGOUT INTERNATIONAL B.V., Industrieweg 40, 6219 NR, Maastricht, The Netherlands, +31 (0)43 351 66 66 All rights are reserved.			