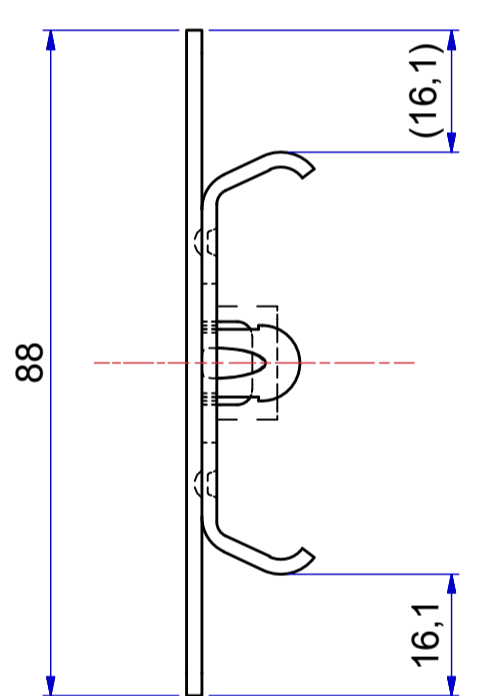
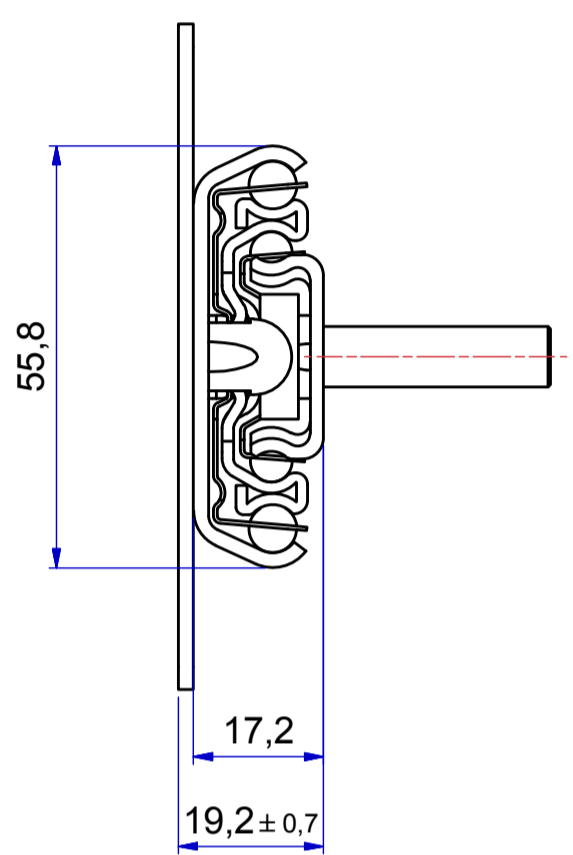
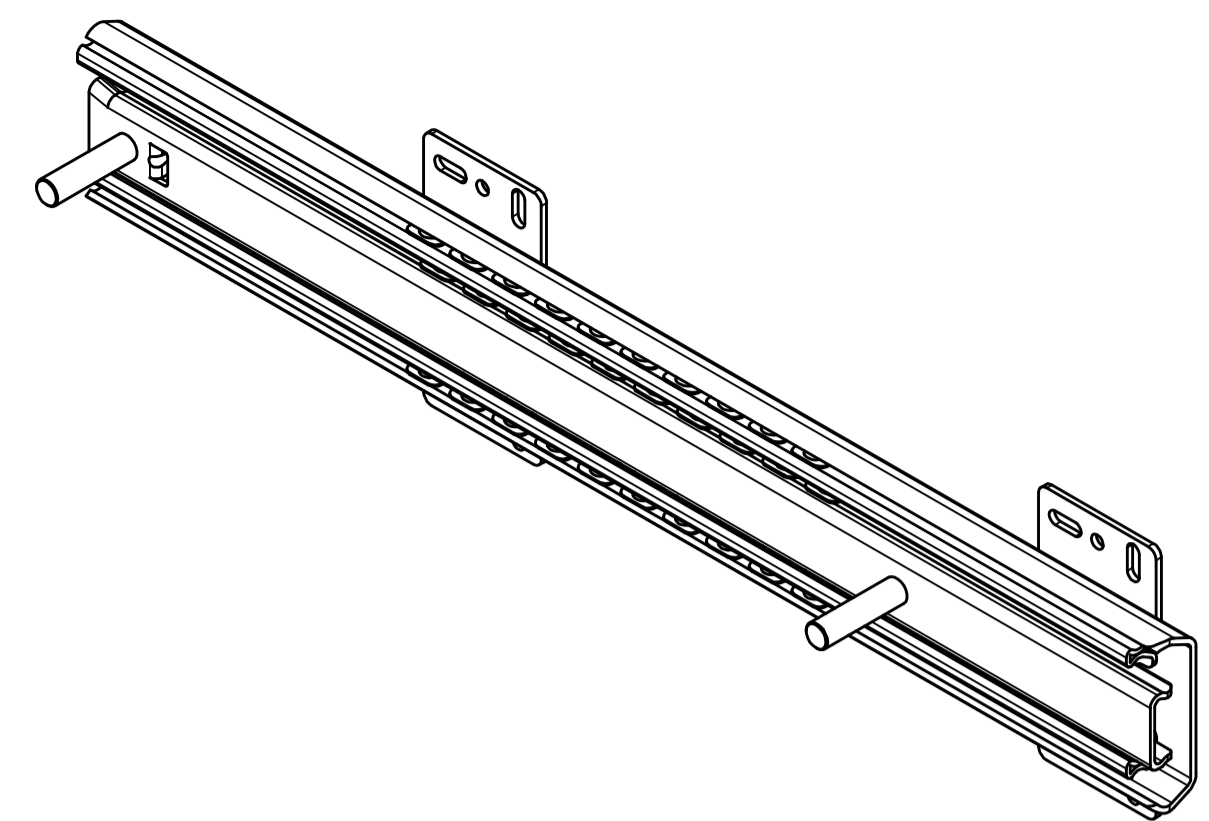
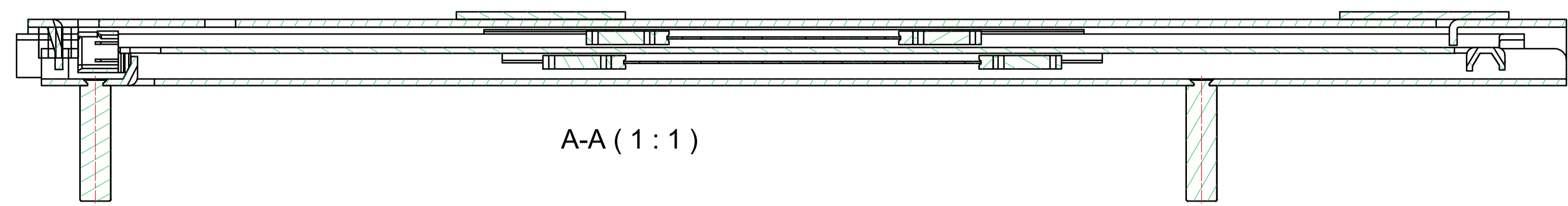
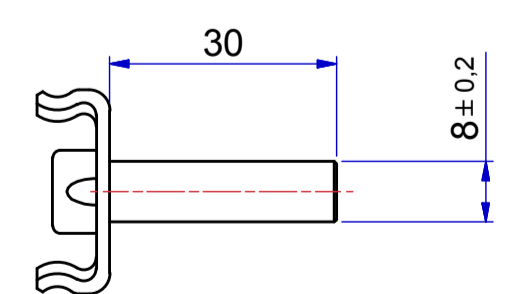


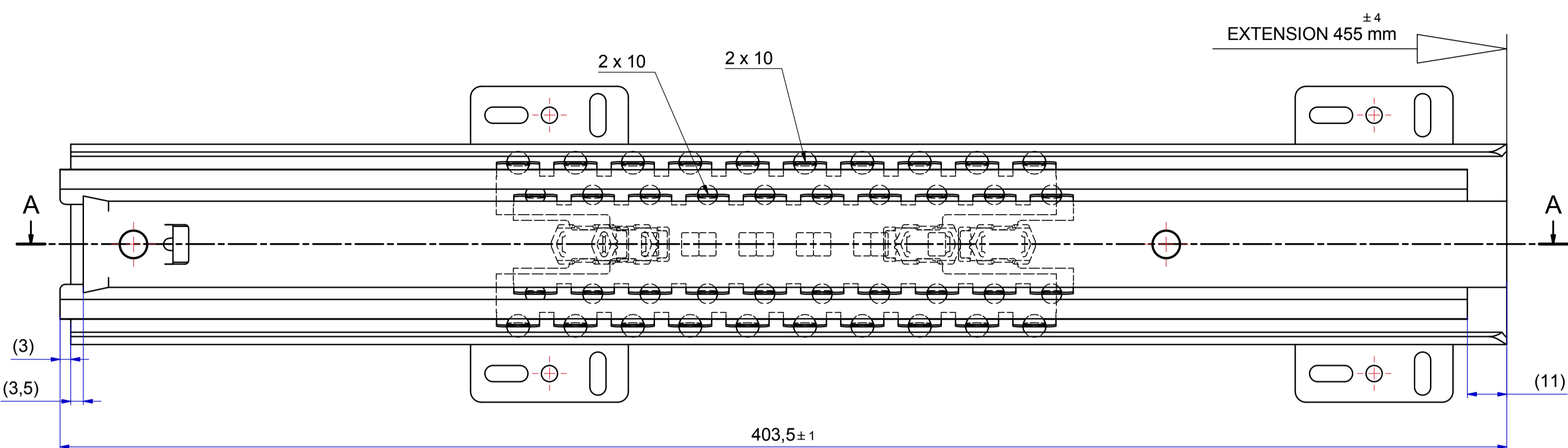
T 1-2 = 243,7 mm
T 2-3 = 211,3 mm



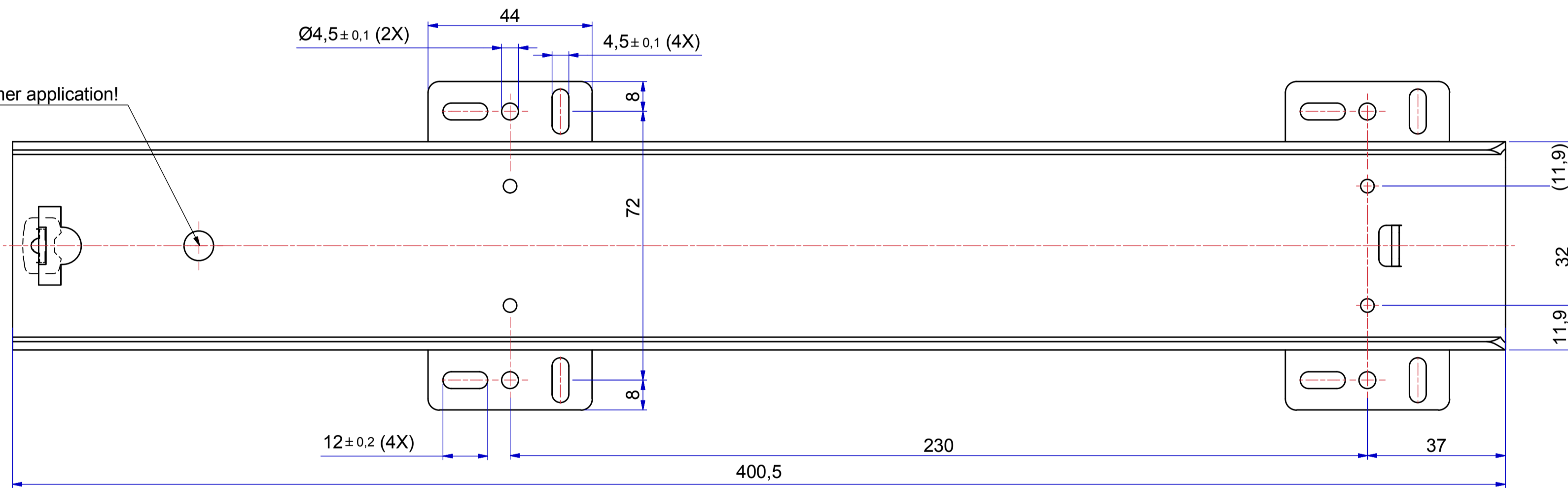
511-24-B37-VDA



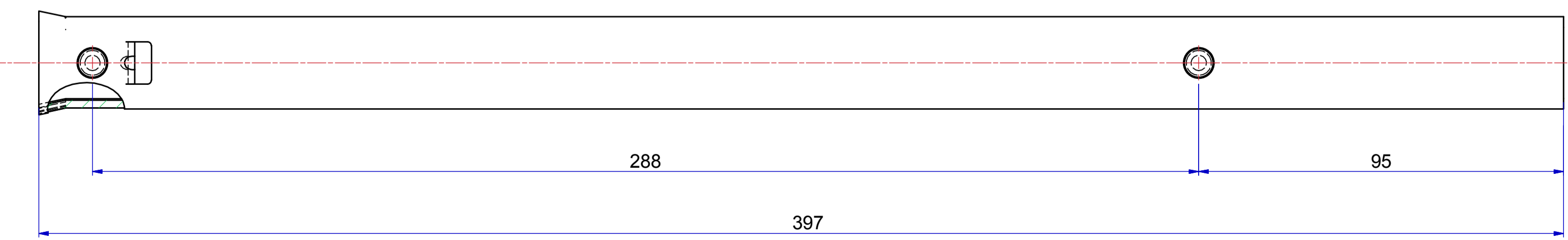
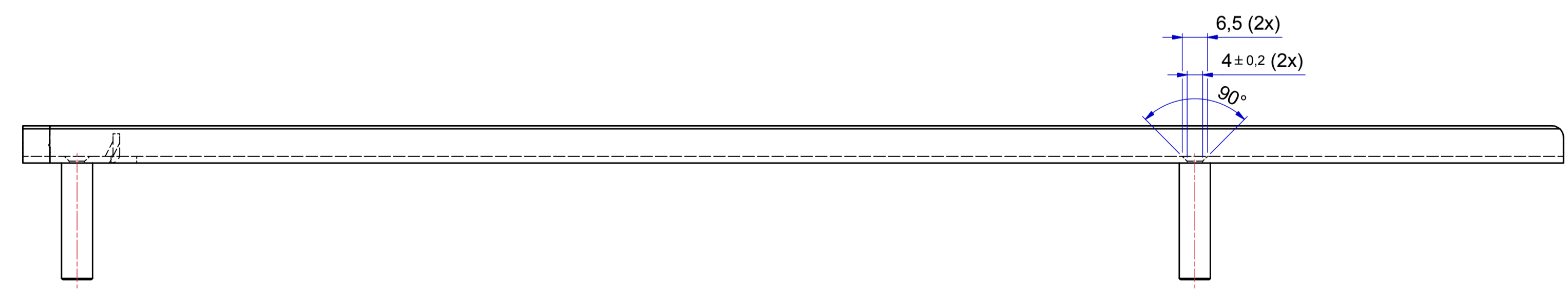
513-24-B37-VB3



Not for customer application!



FRONT



Released for Production

Right hand slide = Left hand slide.
Dimensions between marks are guide dimensions.
Thomas Regout Int. B.V. reserves the right to alter non-customer specific specifications without notice.

Designer	W.Jans	Gen.Tol.Dim.	± 0,5	Third angle projection	Material
Date	8-9-2015	Gen.Tol.Angle	± 0,5		Treatment
Approver		Gen.Roughness	Ra		Draw type
Date		Units	mm/deg.	Scale	1 : 1
Description				Type	Model No.
ULF HD SV 403,5 / 455.0 (17,2mm)				Released for Production	
Format	THOMAS REGOUT INTERNATIONAL B.V.		Item No.	124-B37	Revision
A1					00
© THOMAS REGOUT INTERNATIONAL BV, Industrieweg 40, 6219 NR, Maastricht, The Netherlands, +31 (0)43 351 66 66 All rights are reserved.					