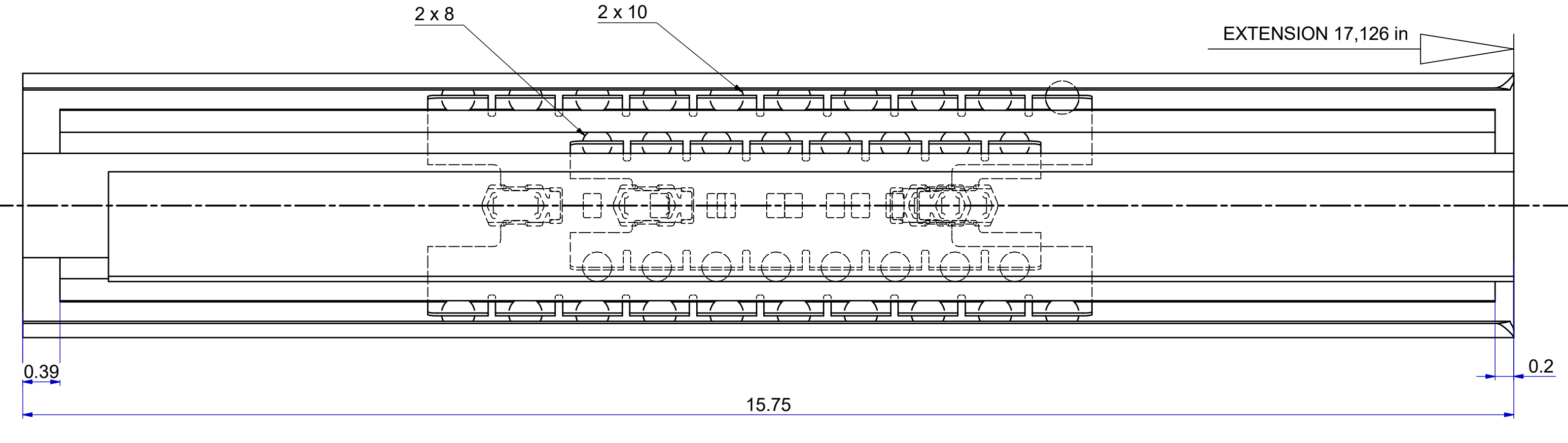
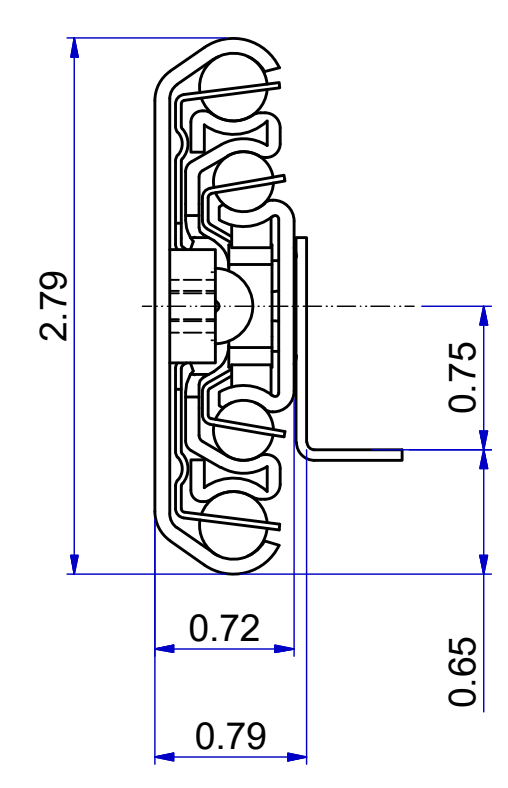
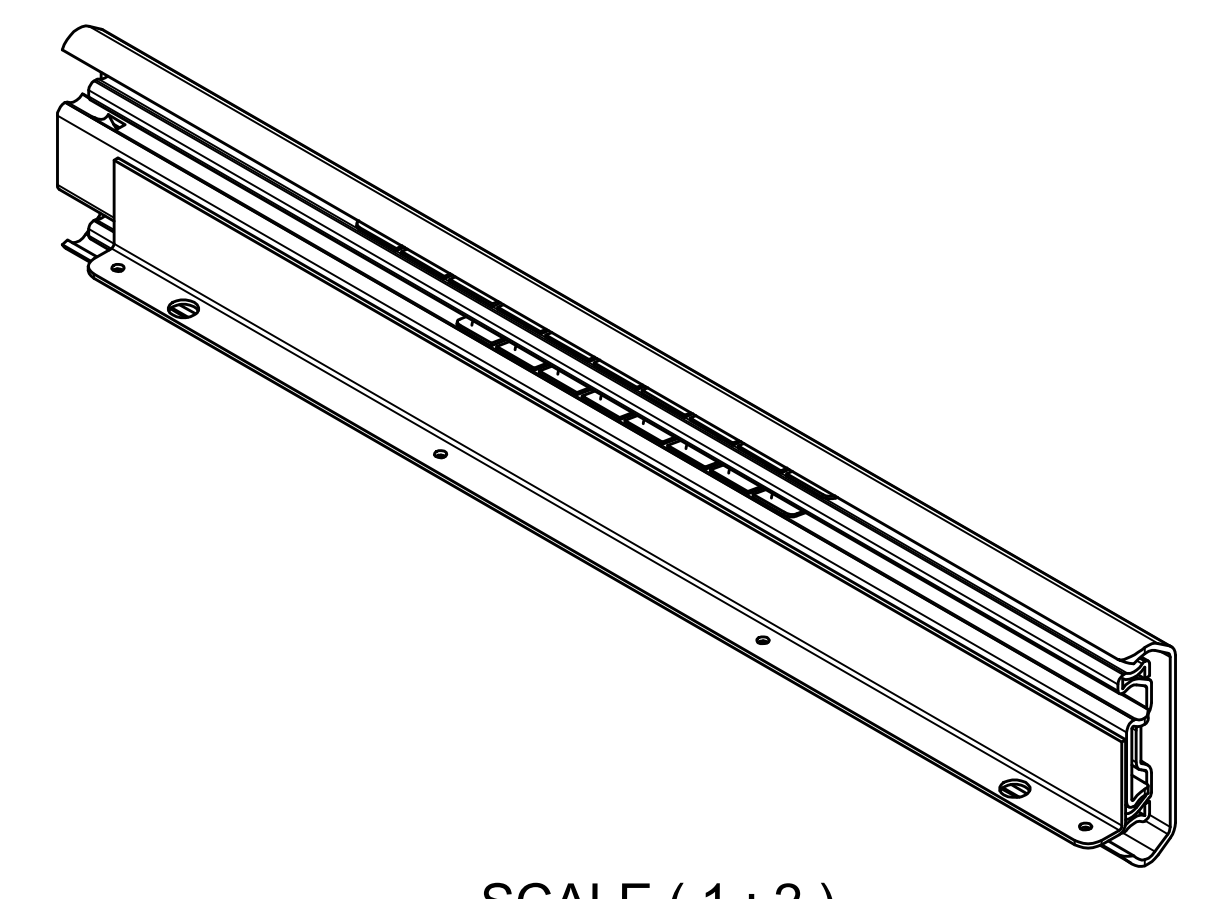
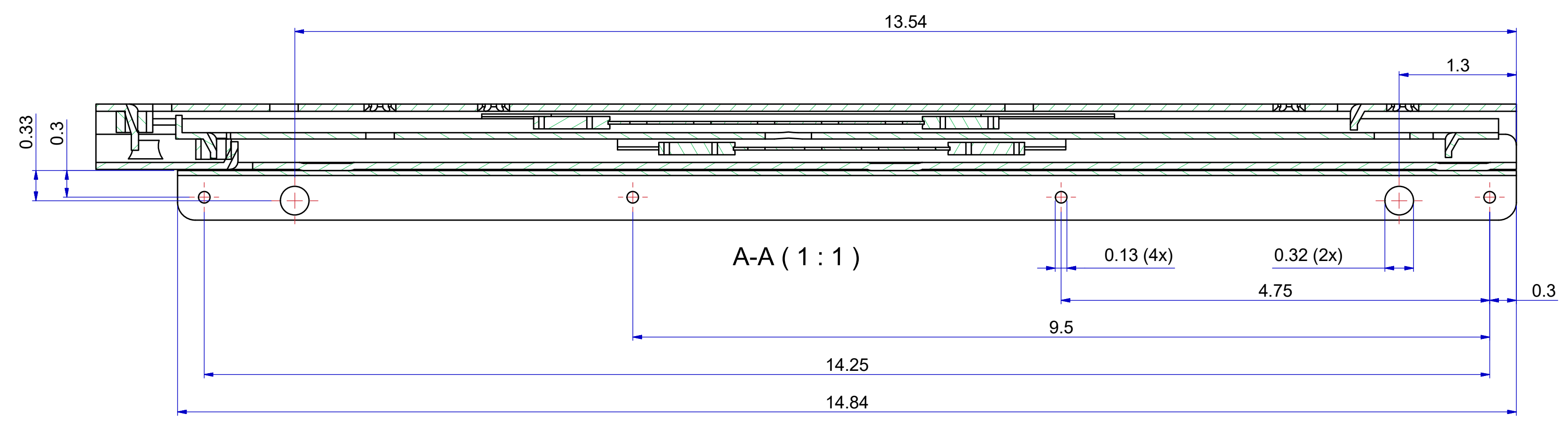
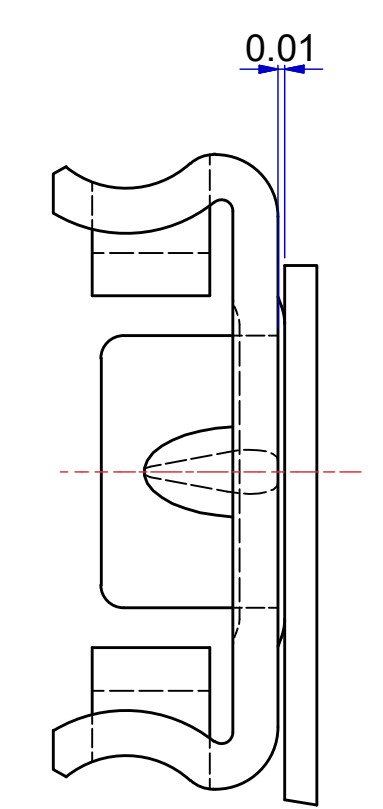
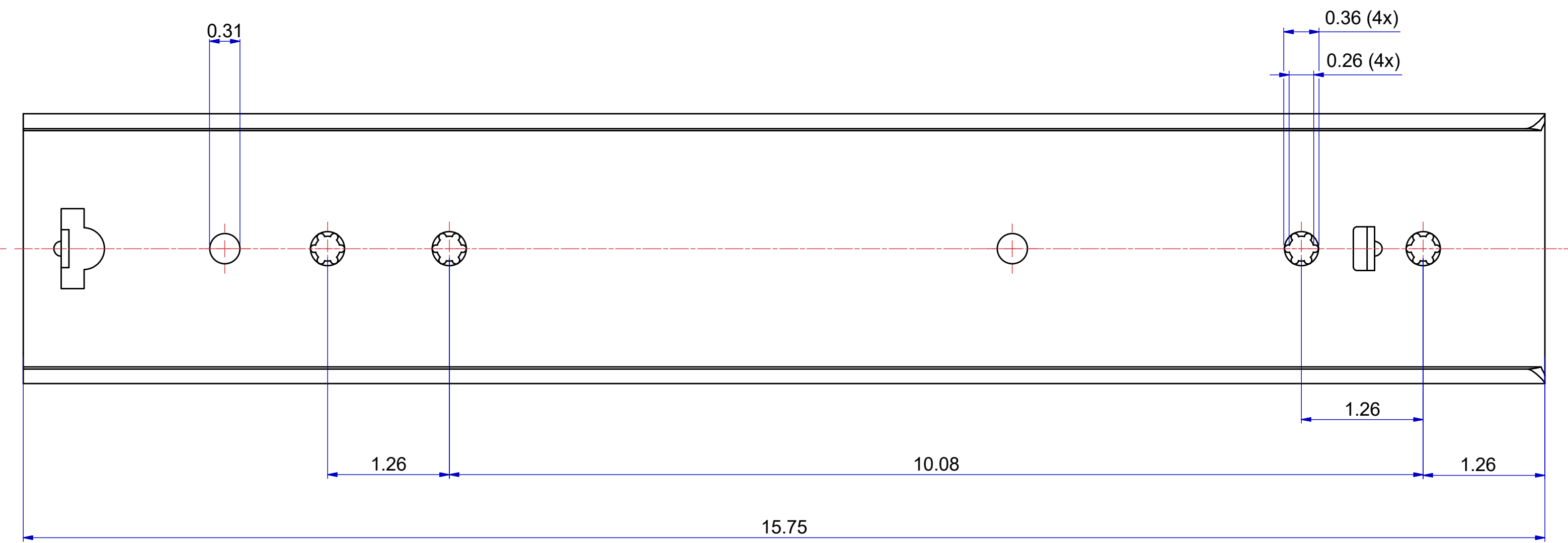


T 1-2 = 7,795 in
T 2-3 = 9,331 in

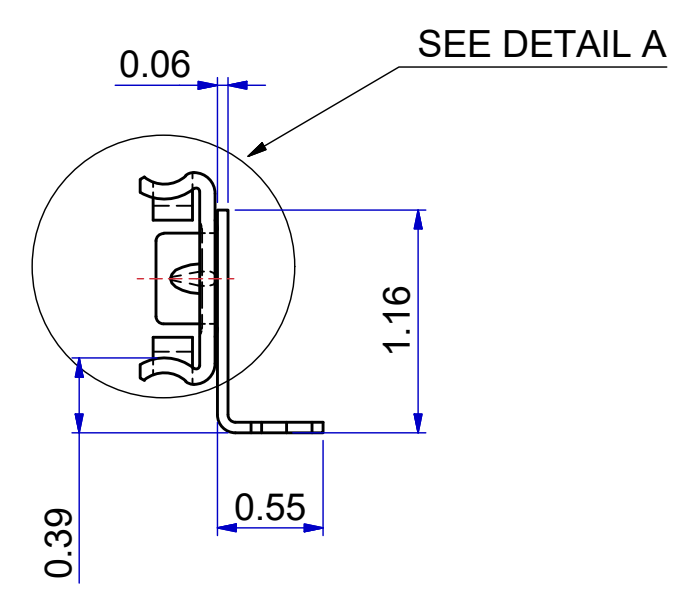


FRONT

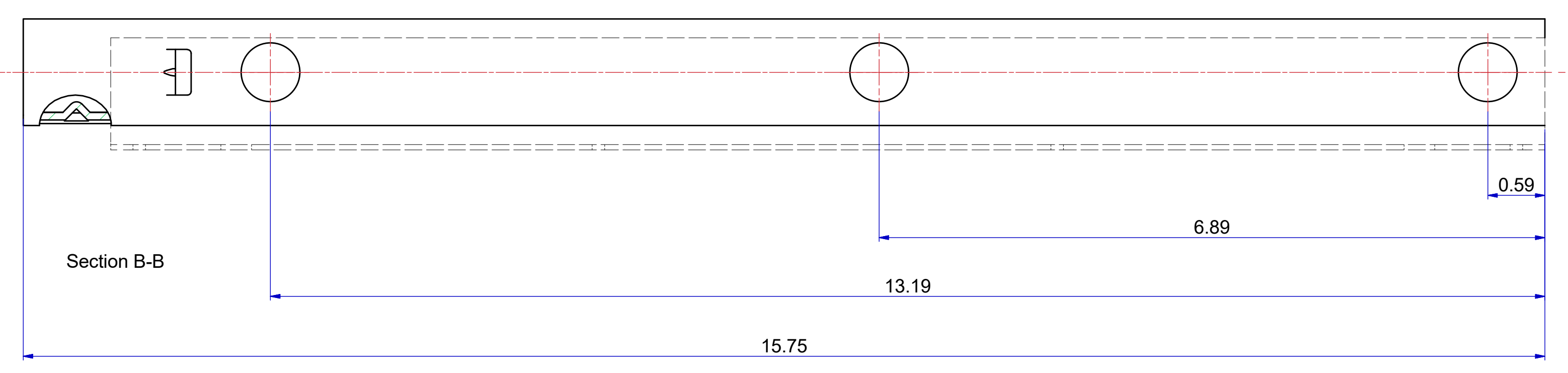


DETAIL A
SCALE (3:1)

511-01-S03-TA1



513-01-S03-TA3



Released for
Production

DIMENSIONS ARE CALCULATED FROM METRIC VALUES
THOMAS REGOUT B.V. RESERVES THE RIGHT TO ALTER NON-CUSTOMER
SPECIFICATIONS WITHOUT NOTICE

Designer	Gen.Tol.Dim.	Third angle projection	Material	Generic
Date	23-10-2015	Gen.Tol.Angle	Treatment	
Approver	Gen.Roughness		Draw type	Fabrication
Date	Units	Inch/deg	Scale	1 : 1
			Type	Model No. E000036266

Description
TITAN 400 / 435 (18,4mm) [15.45"/17.13"(0.724")]
Released for Production

Format	A1	THOMAS REGOUT INTERNATIONAL B.V.	Item No.	101-S03_Inch	Revision	00
--------	----	-------------------------------------	----------	--------------	----------	----