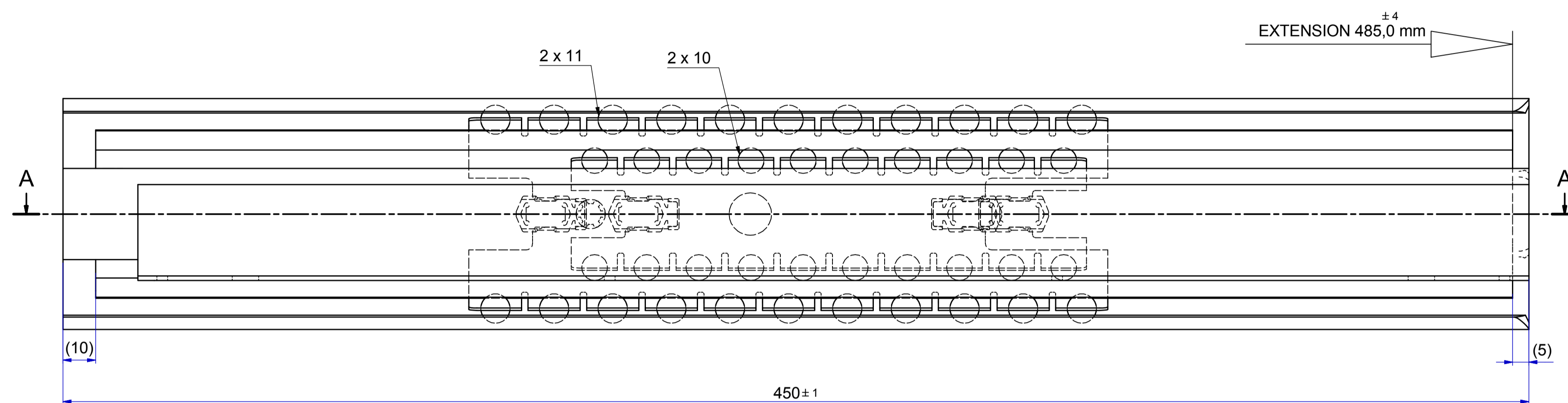
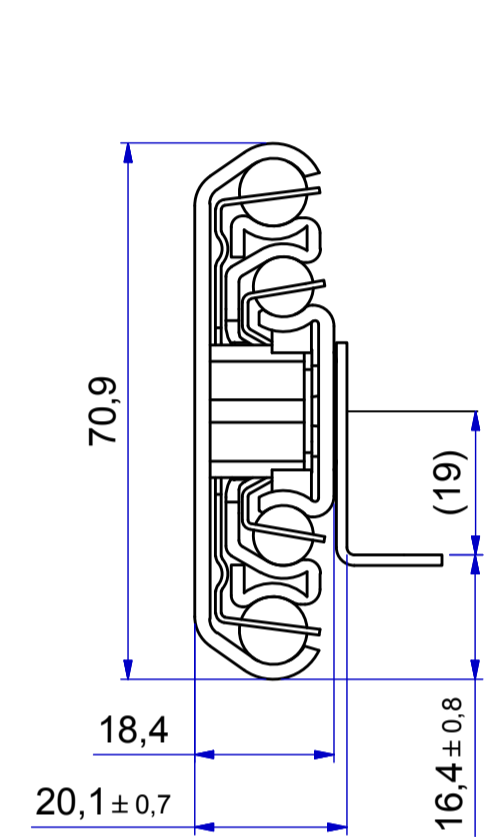
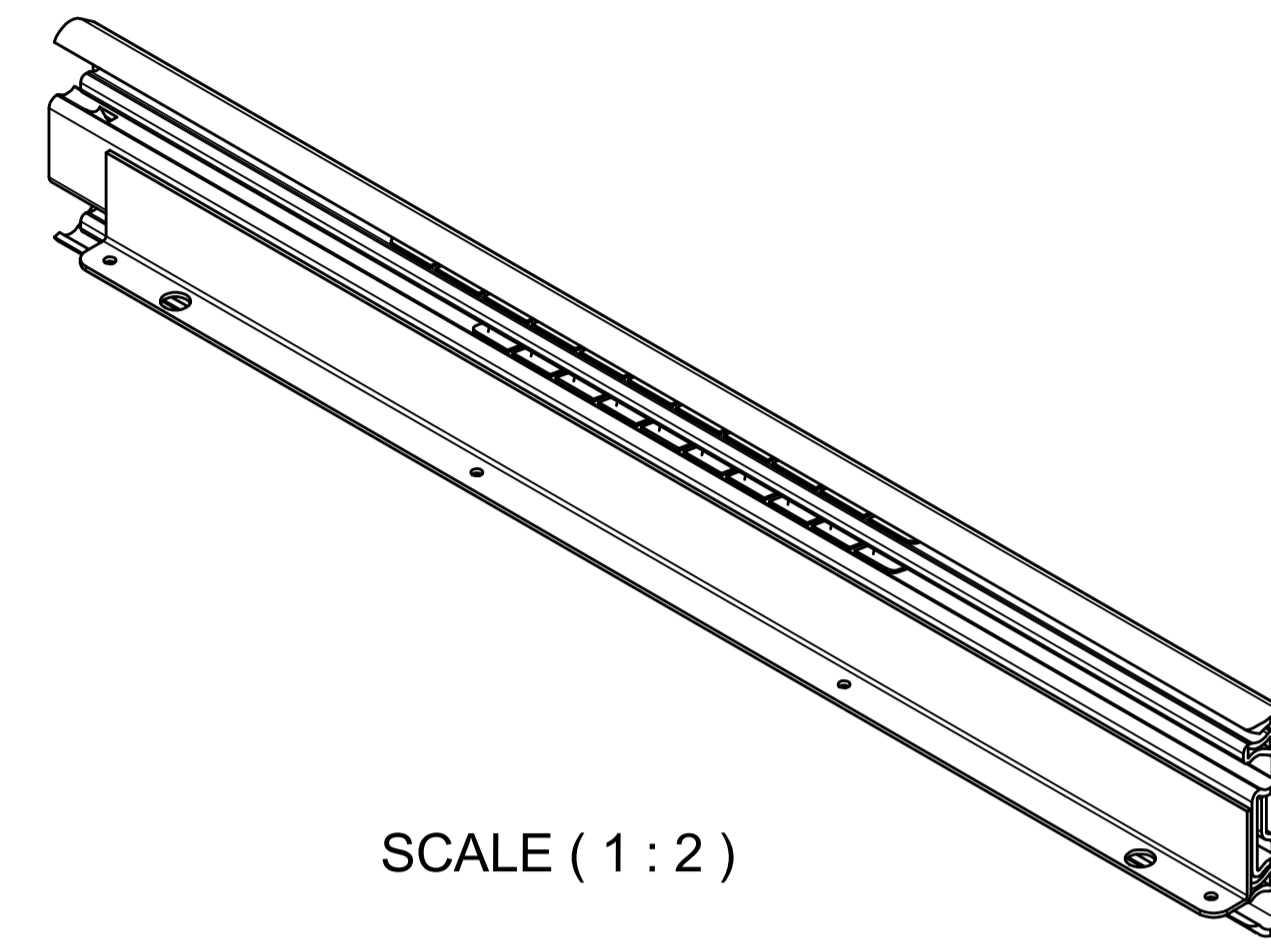
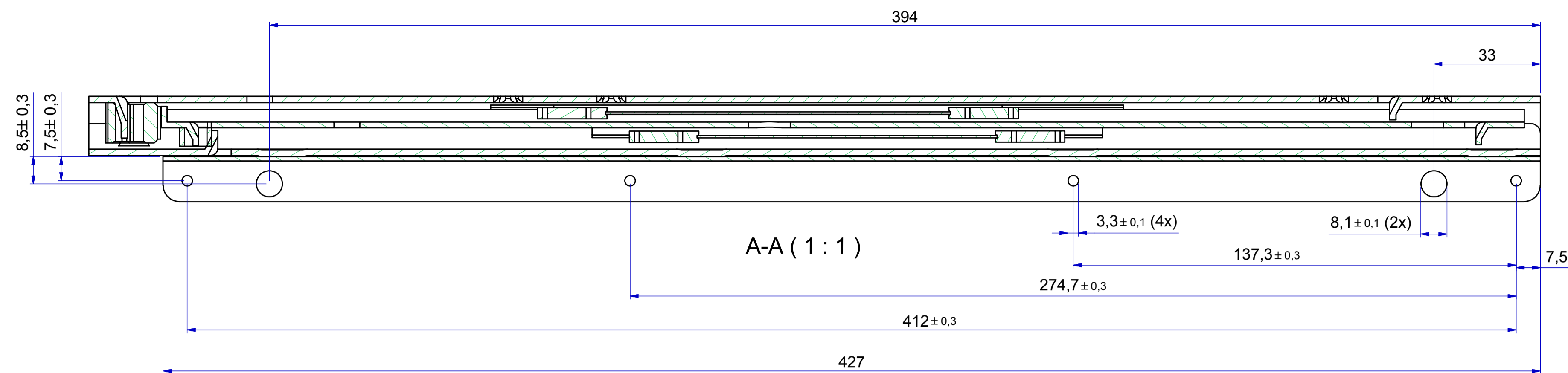
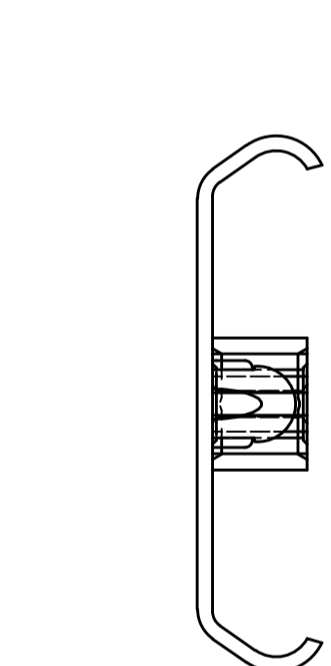


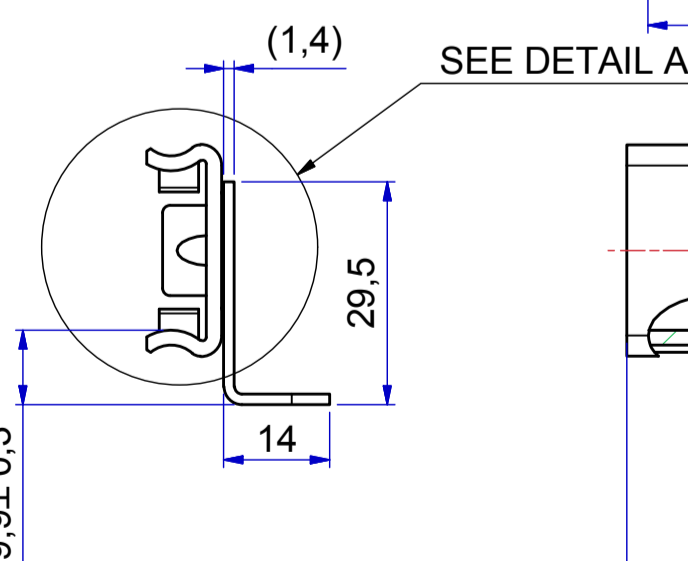
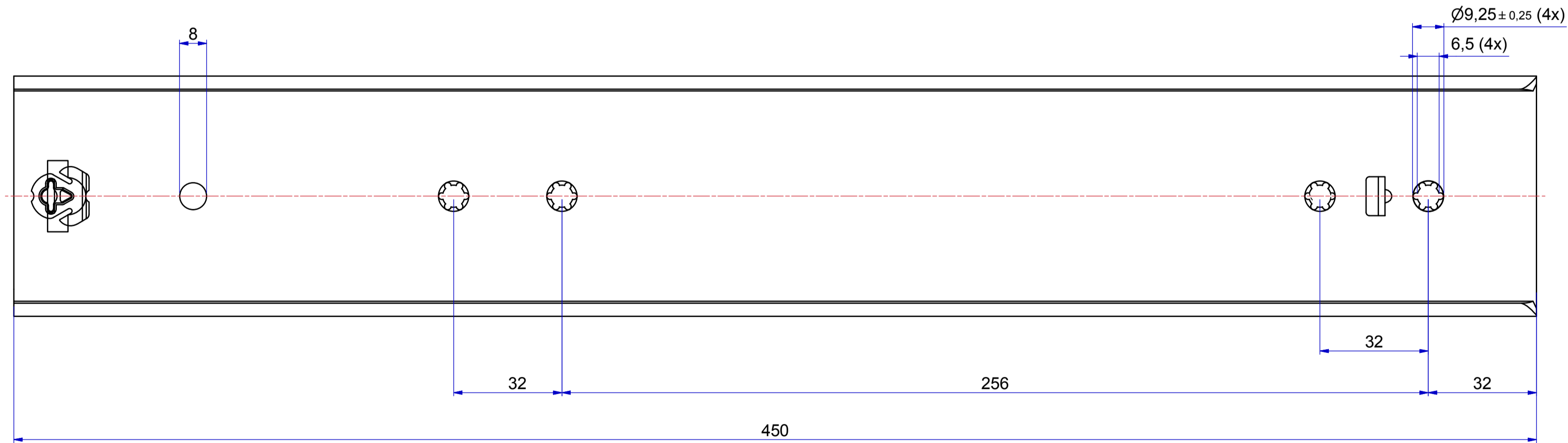
T 1-2 = 230,0 mm
T 2-3 = 255,0 mm



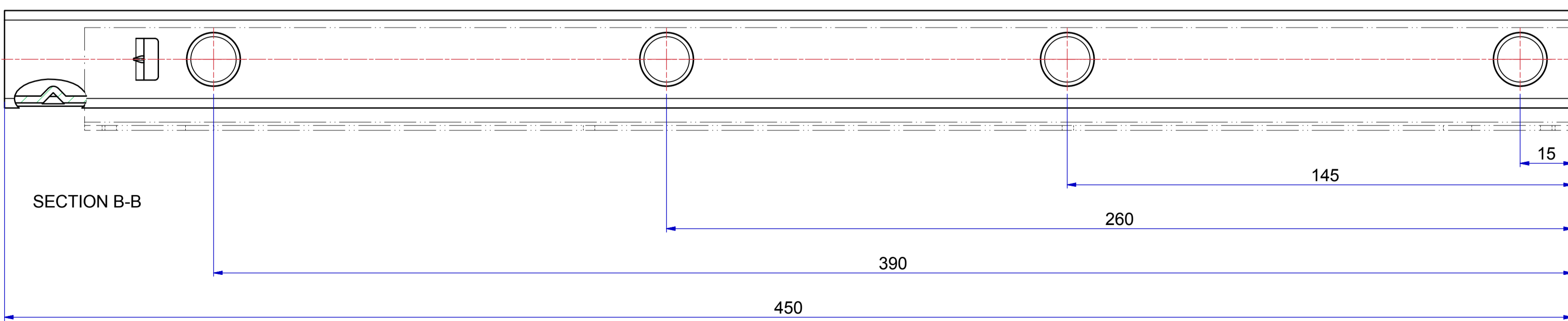
FRONT



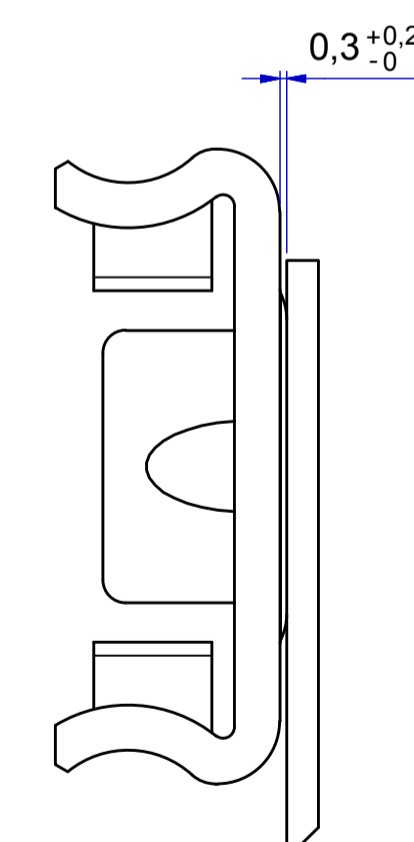
511-01-S04-TA1



513-01-S04-TA3



SECTION B-B



DETAIL A
SCALE (3:1)

Released for Production

Designer	Gen.Tol.Dim. ± 0,5	Third angle projection	Material	Generic
Date	23-10-2015	Gen.Tol.Angle ± 0,5	Treatment	
Approver	Gen.Roughness Ra		Draw type	Fabrication
Date	Units mm/deg.		Scale	1:1
Description		TITAN 450 / 485 (18,4mm)		
Format	A1	Item No.	101-S04	Revision
THOMAS REGOUT INTERNATIONAL B.V.		Released for Production		
© THOMAS REGOUT INTERNATIONAL BV, Industrieweg 40, 6219 NR, Maastricht, The Netherlands, +31 (0)43 351 66 66 All rights are reserved.				