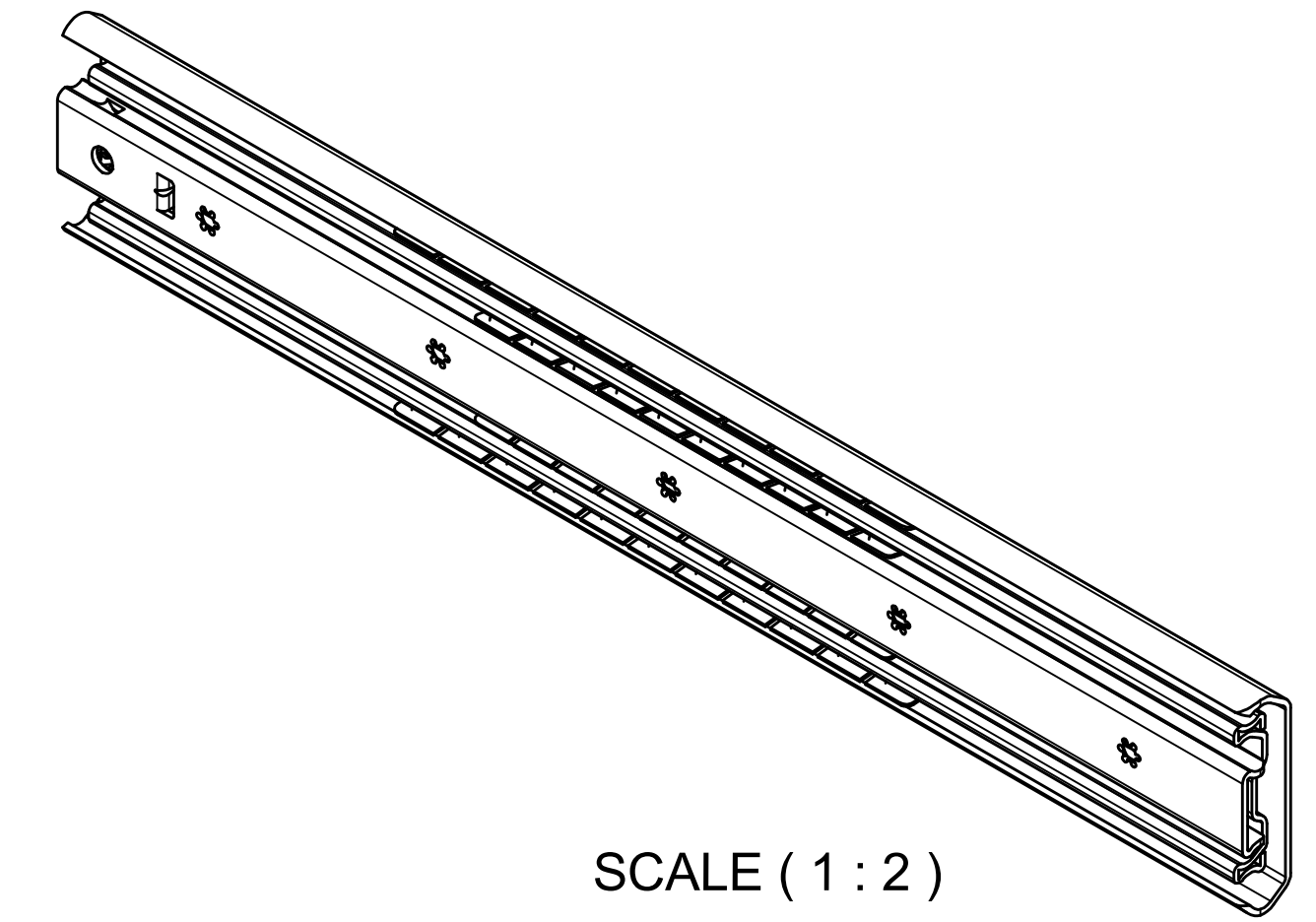
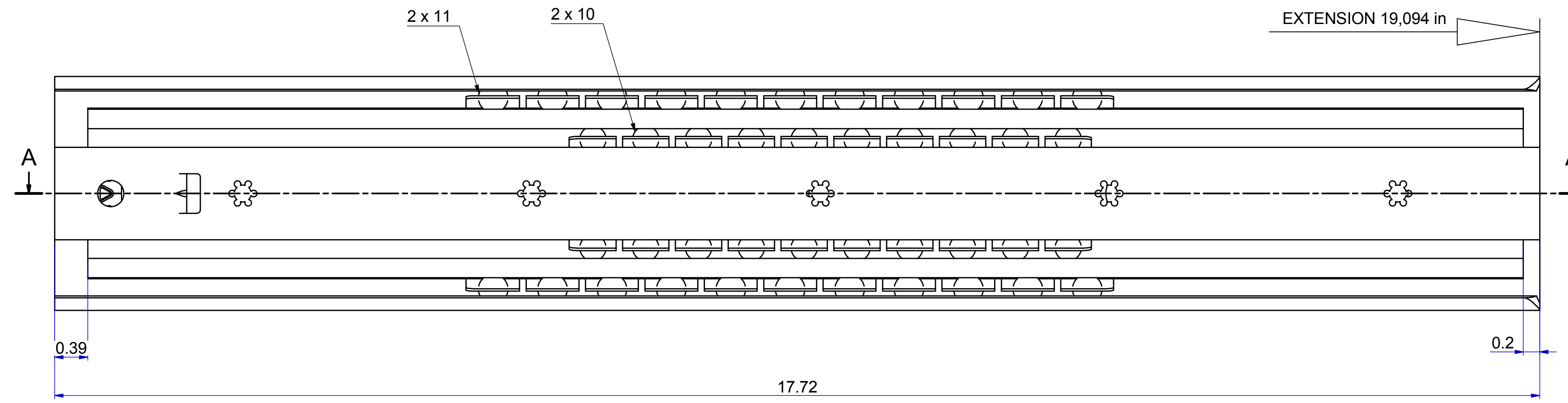
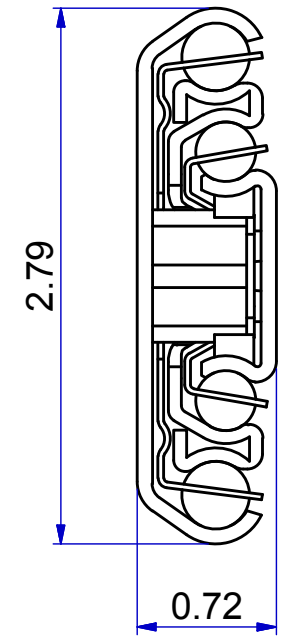
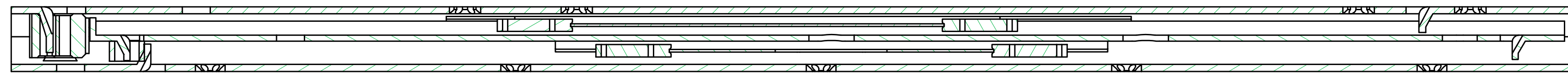


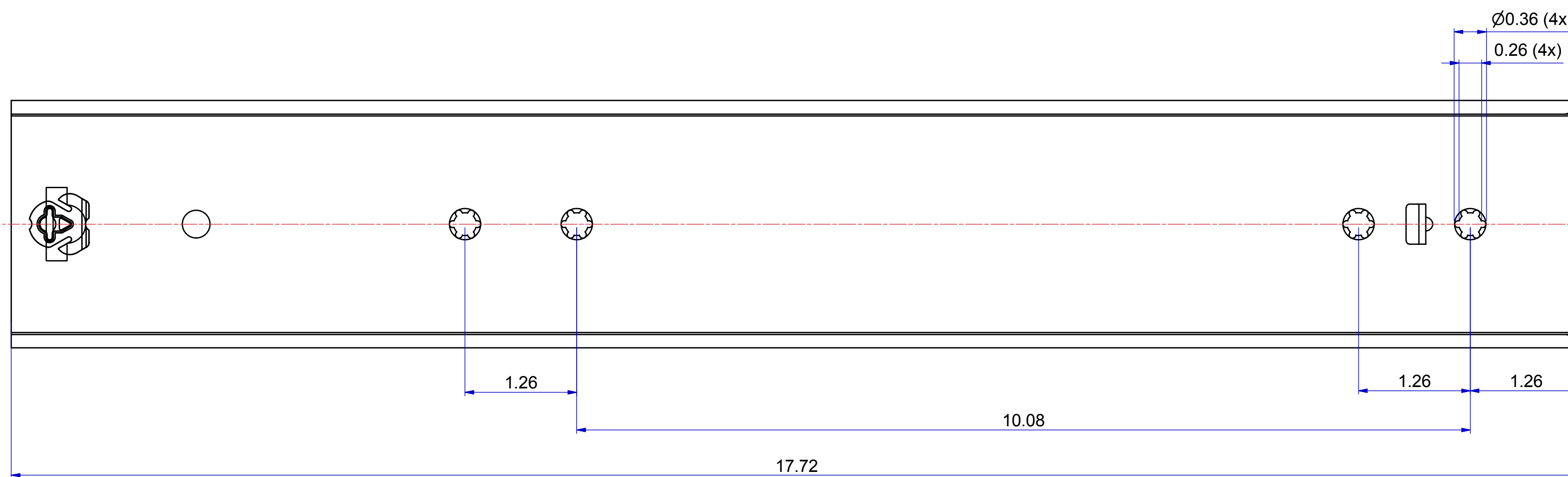
T 1-2 = 9,055 in
T 2-3 = 10,039 in

A-A (1:1)

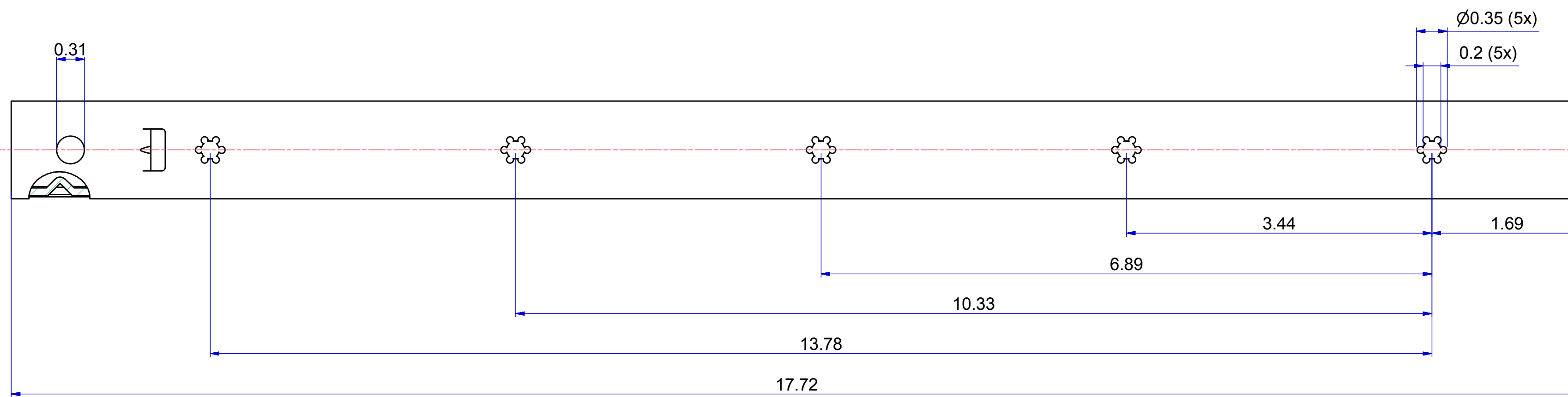


FRONT

511-01-S24-TA1



513-01-S24-TA3



Released for Production

DIMENSIONS ARE CALCULATED FROM METRIC VALUES
THOMAS REGOUT B.V. RESERVES THE RIGHT TO ALTER NON-CUSTOMER SPECIFICATIONS WITHOUT NOTICE

Designer	Gen.Tol.Dim.	Third angle projection	Material	Generic
Date	26-10-2015	Gen.Tol.Angle	Treatment	
Approver		Gen.Roughness	Draw type	Fabrication
Date		Units	Scale	1 : 1
			Type	Model No. E000036282

Description
TITAN 450 / 485 (18,4mm) [17.72"/19.09"(0.724")]
Released for Production

Format	A1	THOMAS REGOUT INTERNATIONAL B.V.	Item No.	101-S24_Inch	Revision	00
--------	----	----------------------------------	----------	--------------	----------	----