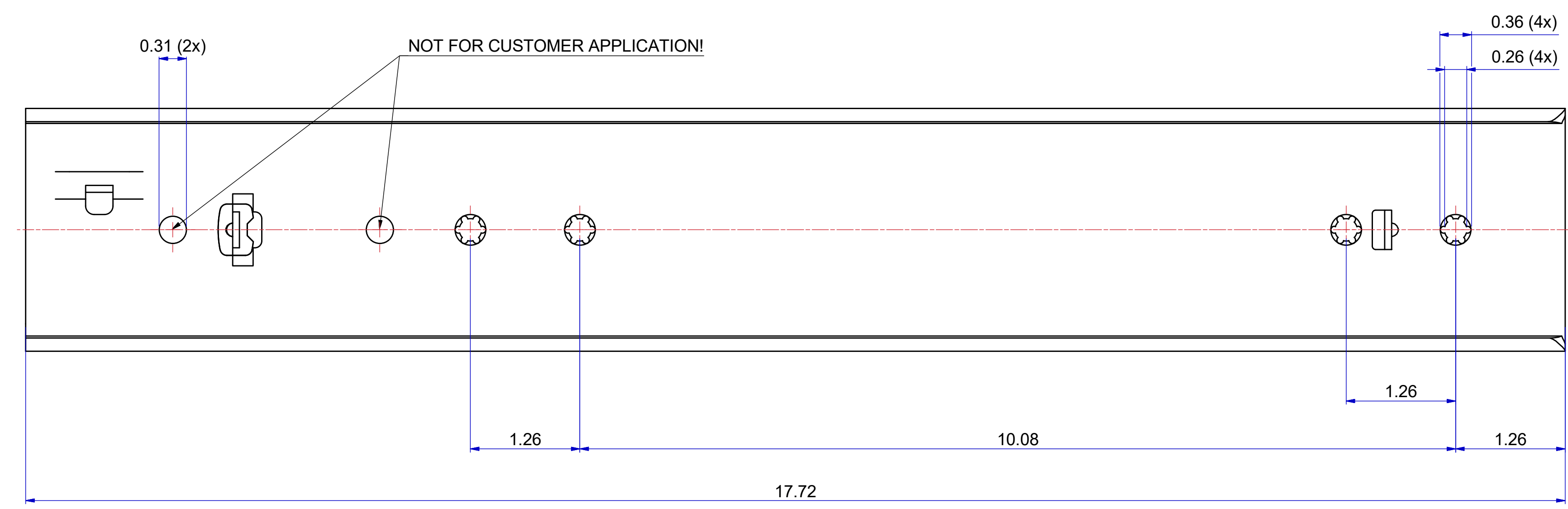
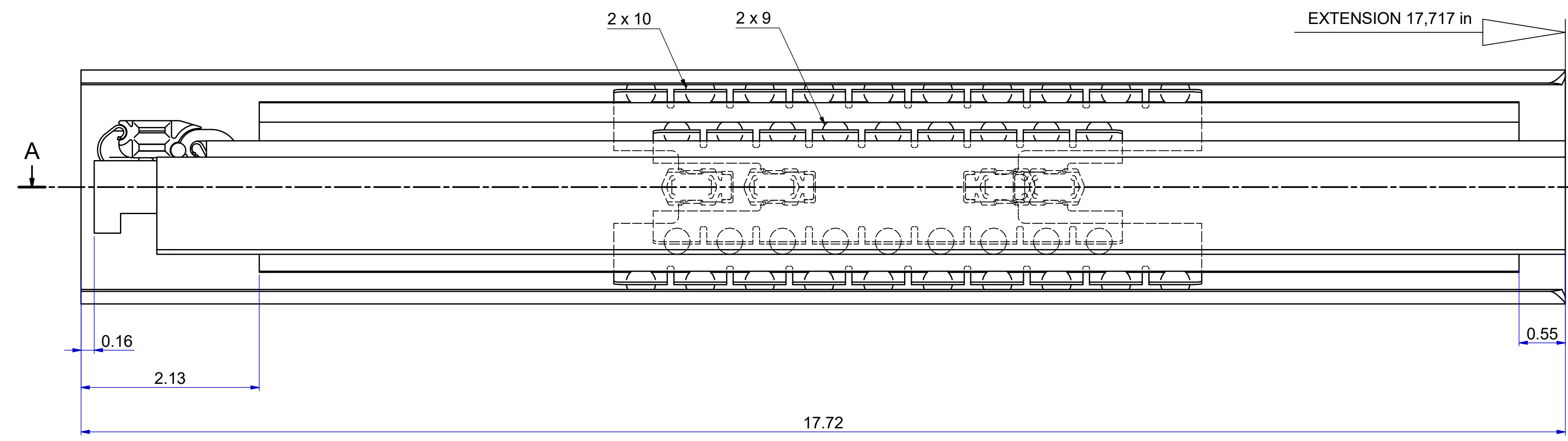
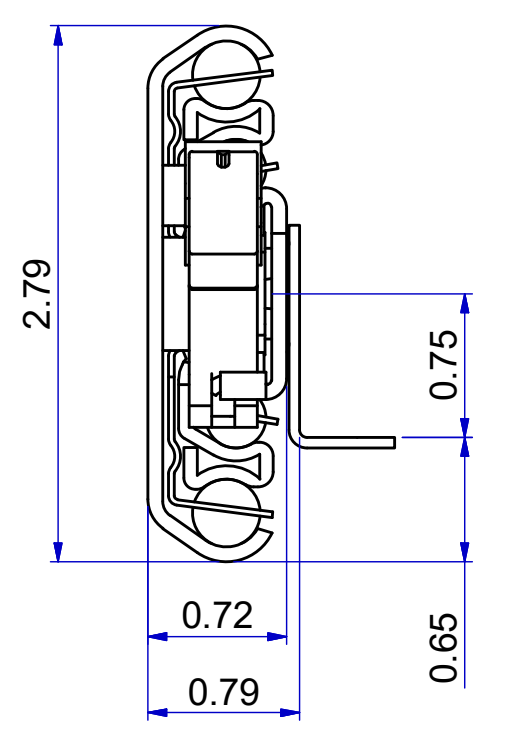
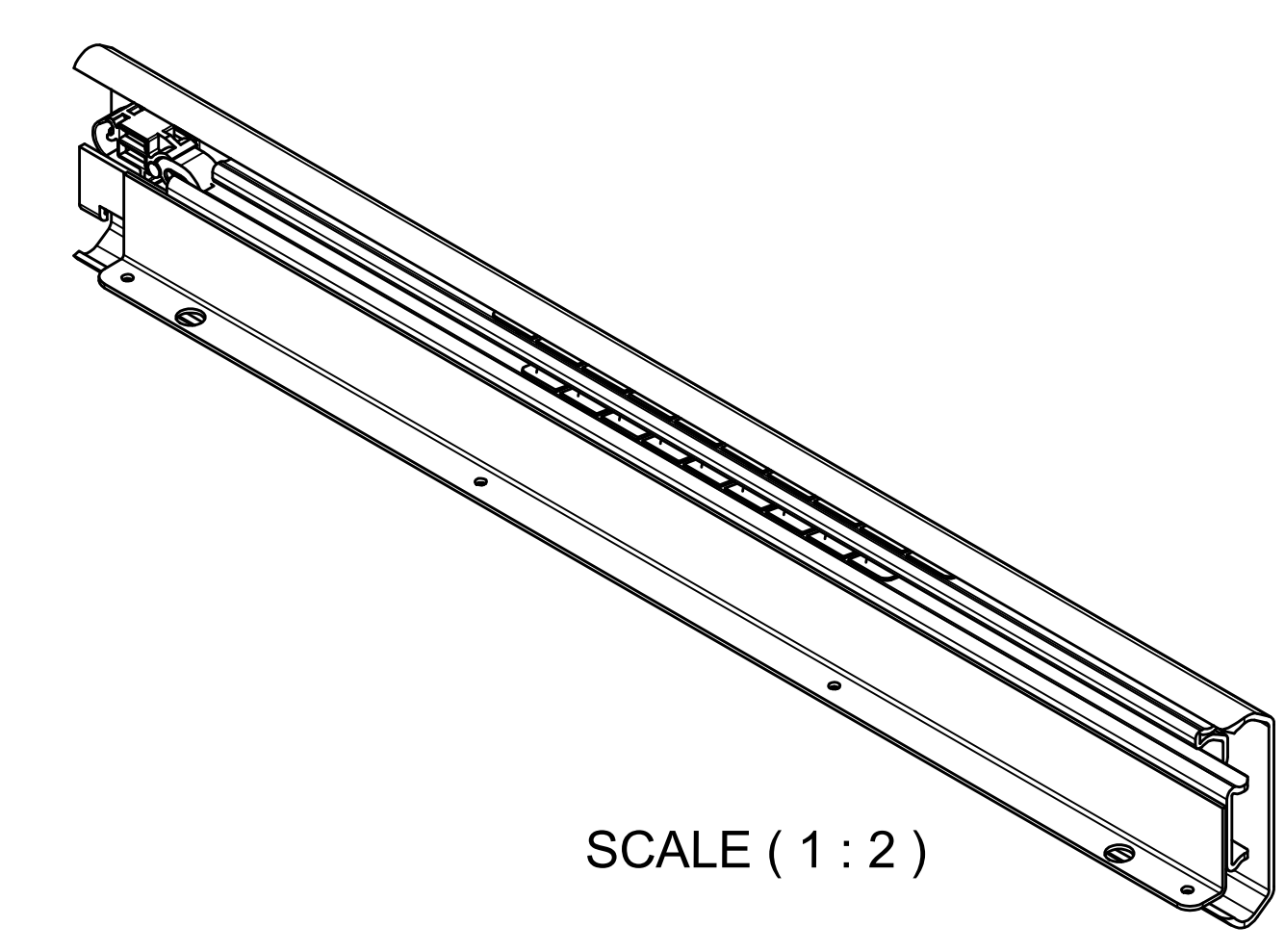
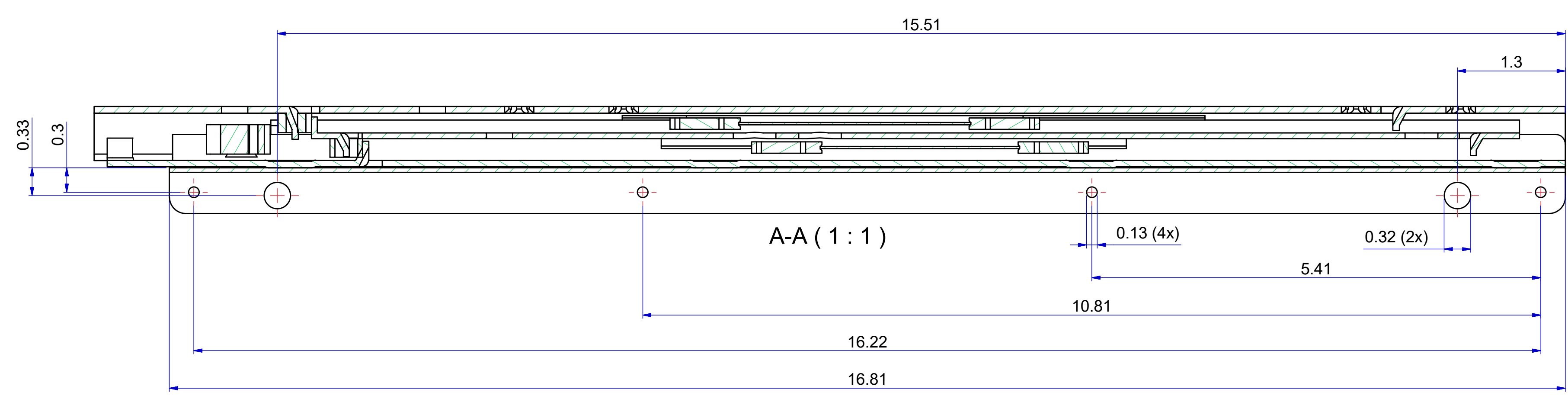
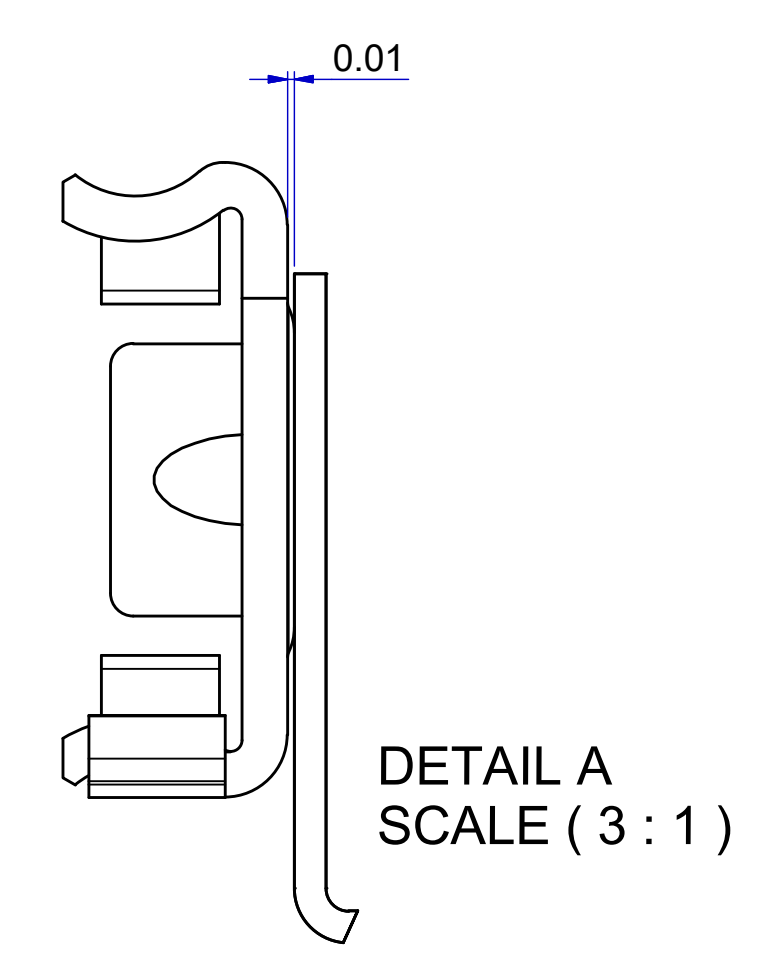


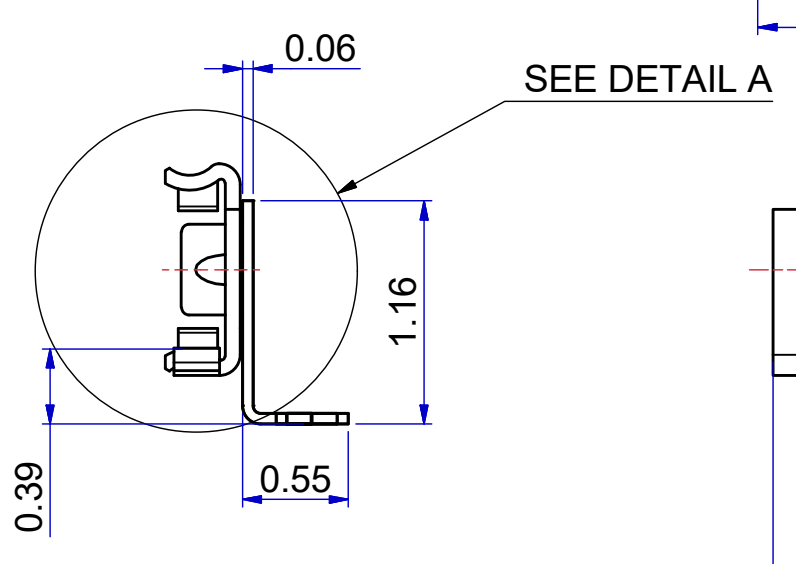
T 1-2 = 8,504 in
T 2-3 = 9,213 in



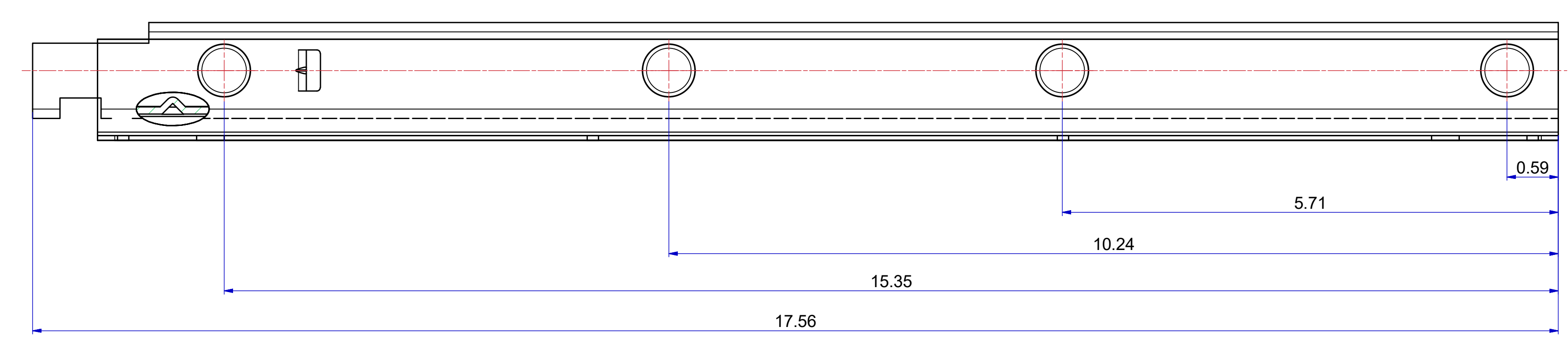
FRONT



511-01-S44-TA1



513-01-S44-TA3



DIMENSIONS ARE CALCULATED FROM METRIC VALUES
THOMAS REGOUT B.V. RESERVES THE RIGHT TO ALTER NON-CUSTOMER SPECIFICATIONS WITHOUT NOTICE

Designer	D.Koper	Gen.Tol.Dim.	Third angle projection	Material	Generic
Date	26-10-2015	Gen.Tol.Angle		Treatment	
Approver		Gen.Roughness		Draw type	Fabrication
Date		Units	Inch/deg	Scale	1:1 Type Model No. E000036302
Description TITAN 450 / 450 (18,4mm) [17.72"/17.72"(0.724")]					
Format				Item No.	Revision
A1				101-S44_Inch	00
© THOMAS REGOUT INTERNATIONAL BV, Industrieweg 40, 6219 NR, Maastricht, The Netherlands, +31 (0)43 351 66 66 All rights are reserved.					