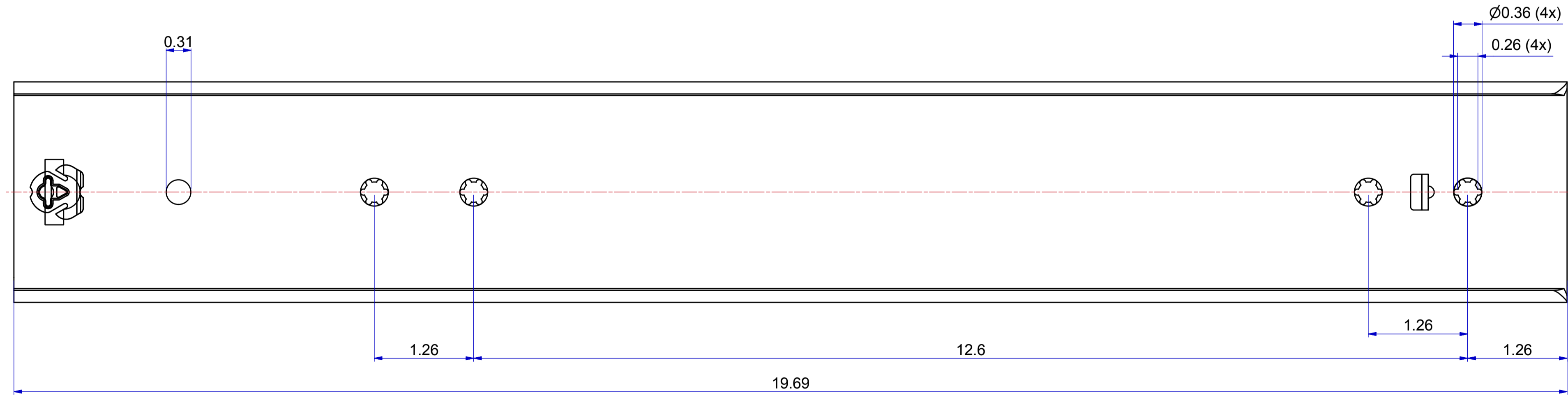
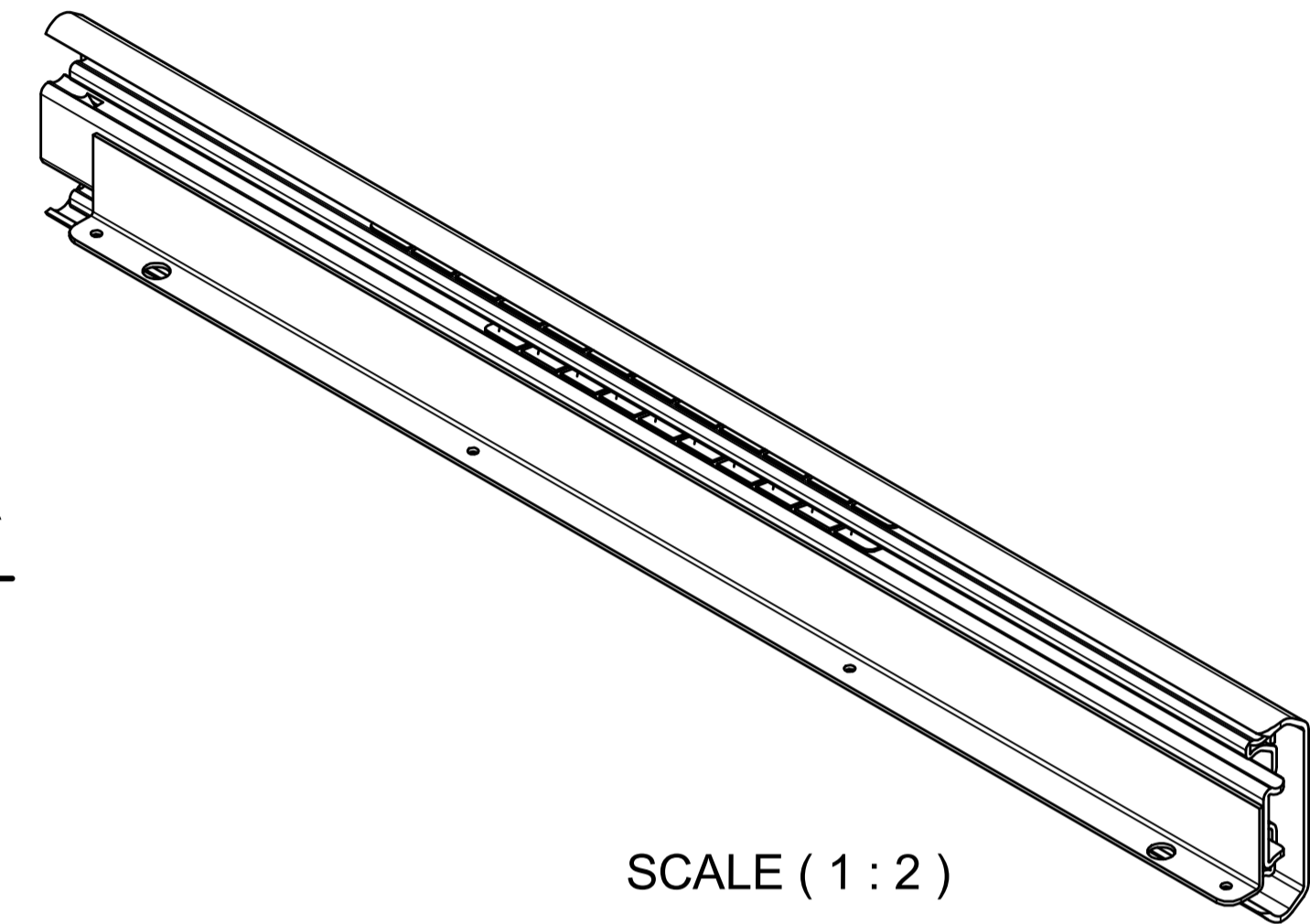
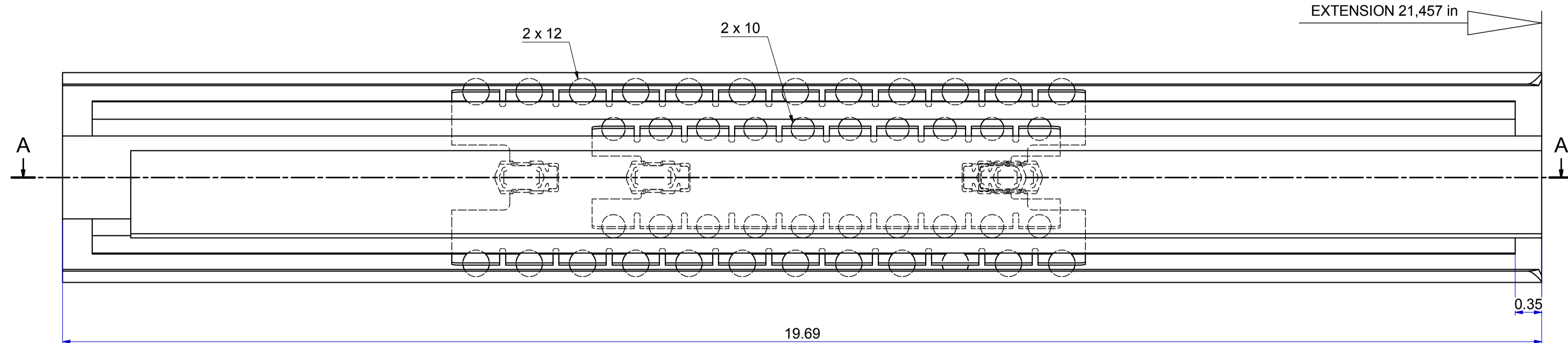
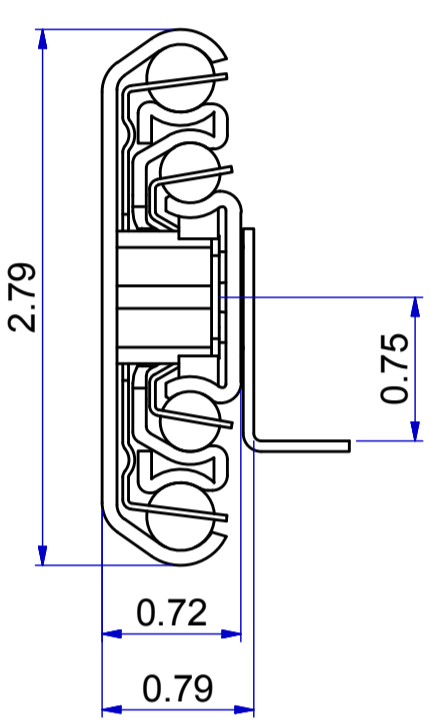
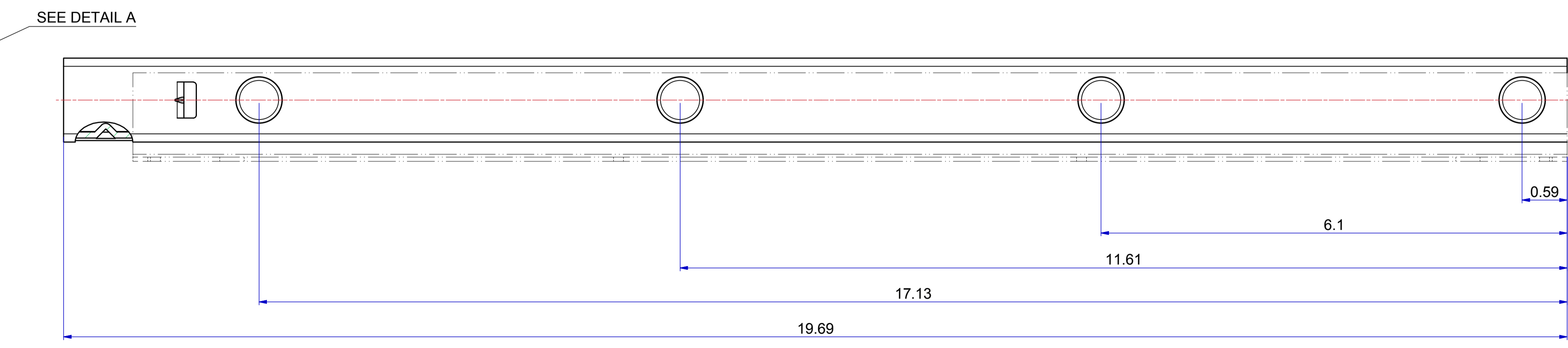
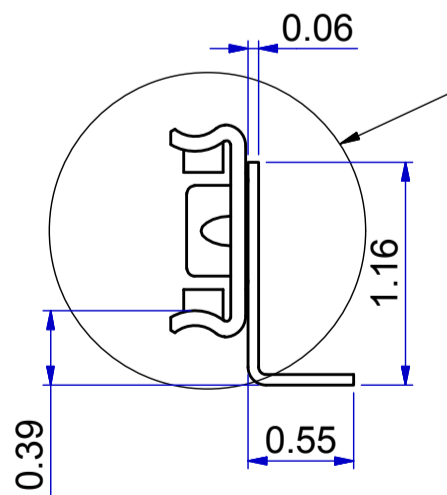
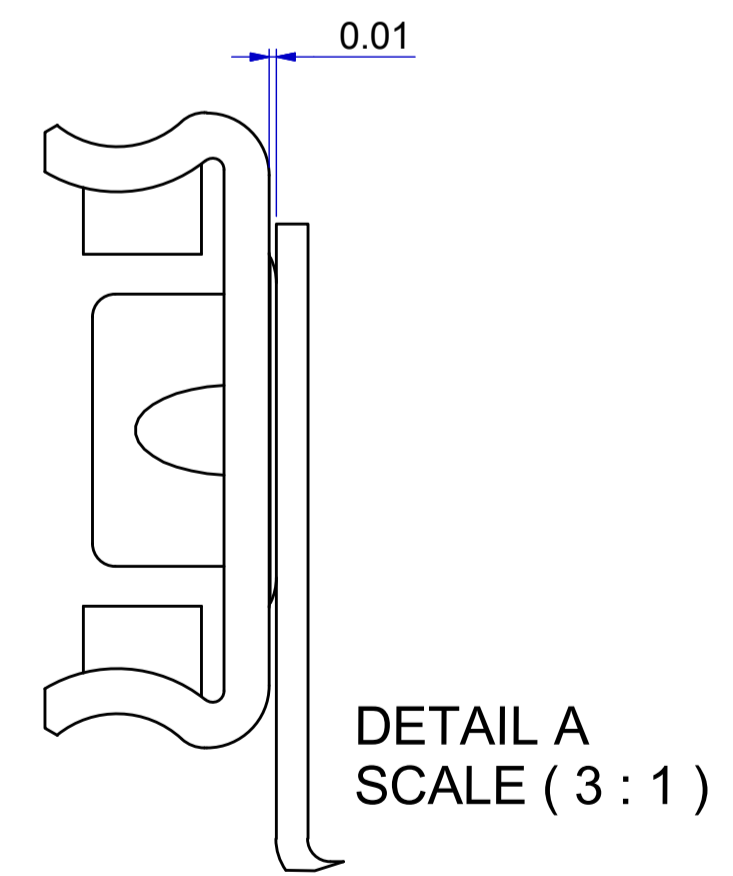


T 1-2 = 9,606 in
T 2-3 = 11,850 in



511-01-S05-TA1



513-01-S05-TA3

DIMENSIONS ARE CALCULATED FROM METRIC VALUES
THOMAS REGOUT B.V. RESERVES THE RIGHT TO ALTER NON-CUSTOMER SPECIFICATIONS WITHOUT NOTICE

Designer	Gen.Tol.Dim.	Third angle projection	Material	Generic
Date	23-10-2015	Gen.Tol.Angle	Treatment	
Approver	Gen.Roughness		Draw type	Fabrication
Date	Units	Inch/deg	Scale	1:1
			Type	Model No. E000036270

Description
TITAN 500 / 545 (18,4mm) [19.69"/21.46"(0.724")]
Released for Production

Format	THOMAS REGOUT INTERNATIONAL B.V.	Item No.	Revision
A1		101-S05_Inch	00

Released for Production