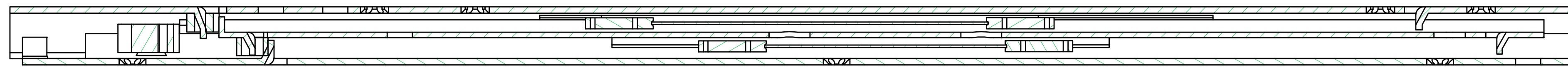
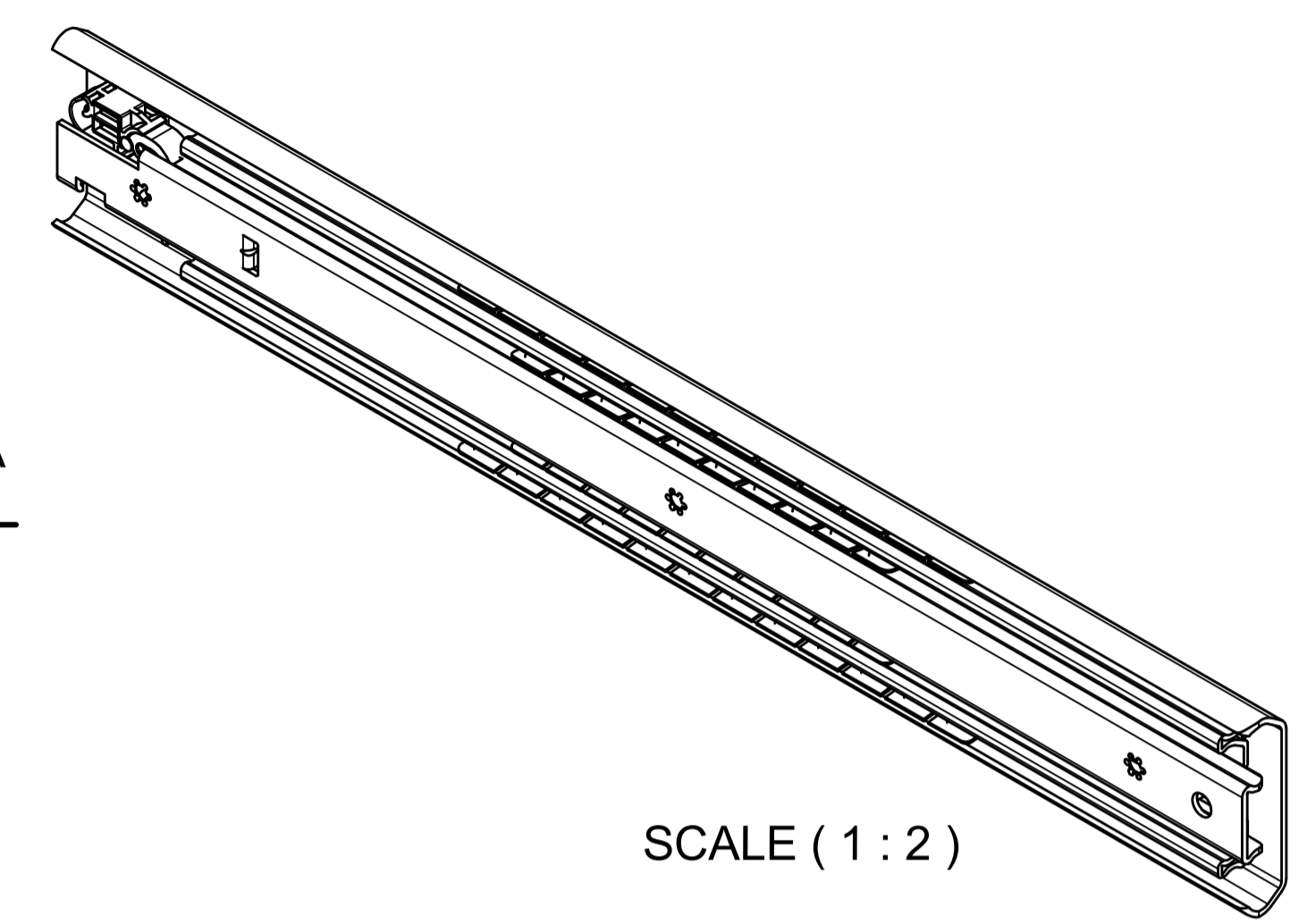
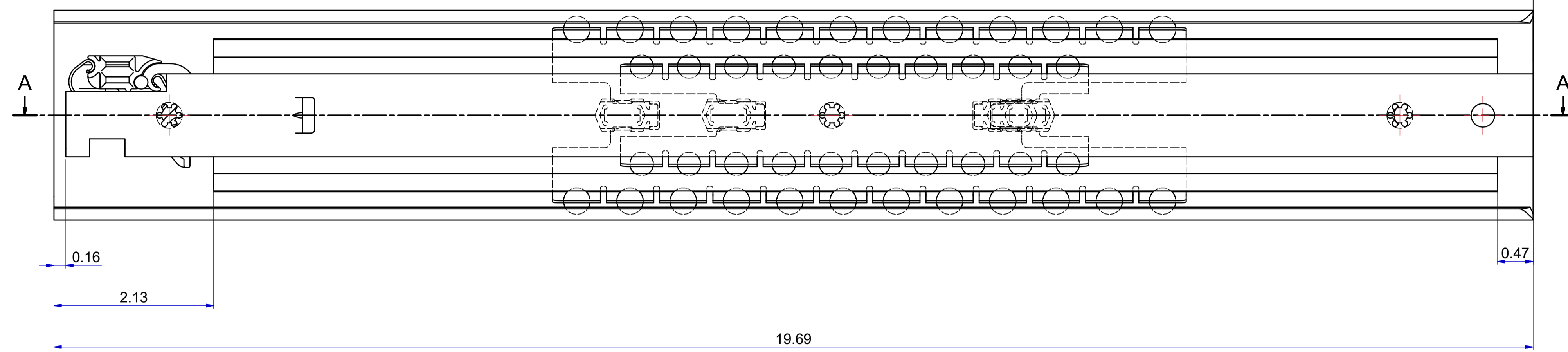
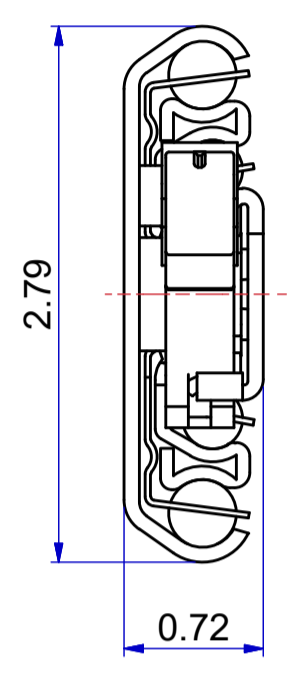


T 1-2 = 9,055 in
T 2-3 = 10,630 in

A-A (1:1)



EXTENSION 19,685 in

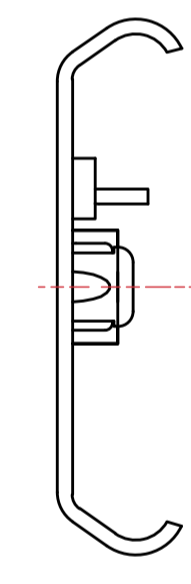


SCALE (1:2)

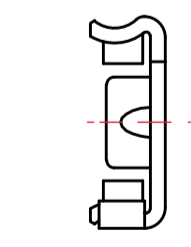
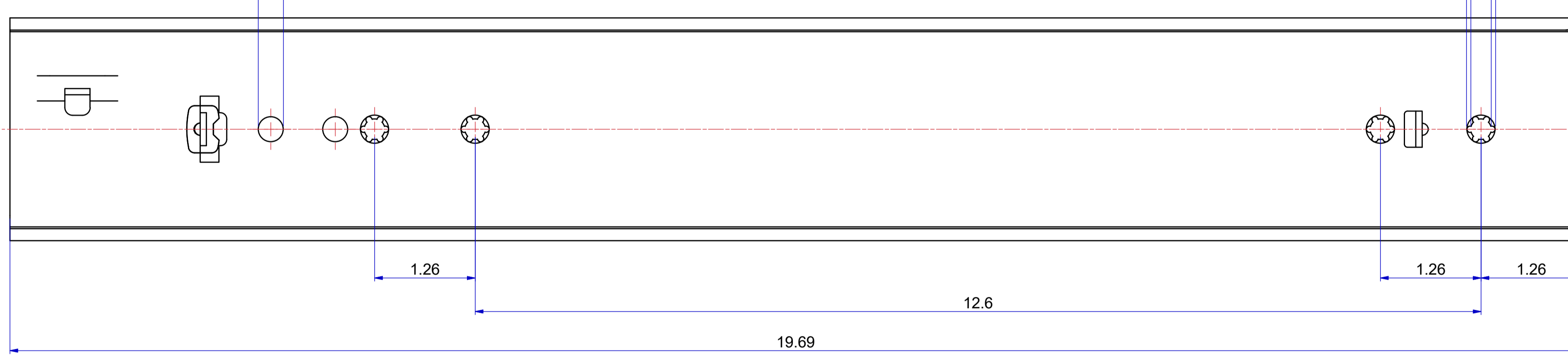
FRONT

0.31 (2x)

0.36 (4x)
0.26 (4x)

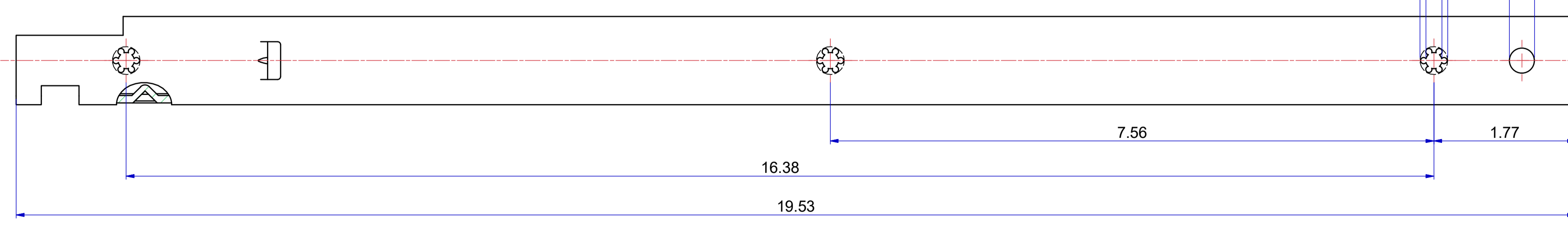


511-01-S65-TA1



513-01-S65-TA3

0.35 (3x)
0.2 (3x)
0.31



DIMENSIONS ARE CALCULATED FROM METRIC VALUES
THOMAS REGOUT B.V. RESERVES THE RIGHT TO ALTER NON-CUSTOMER SPECIFICATIONS WITHOUT NOTICE

Designer	D.Koper	Gen.Tol.Dim.	Third angle projection	Material	Generic
Date	26-10-2015	Gen.Tol.Angle		Treatment	
Approver		Gen.Roughness		Draw type	Fabrication
Date		Units	Inch/deg	Scale	1 : 1 Type Model No. E000036319
Description					
TITAN 500 / 500 (18,4mm) [19.69"/19.69"(0.724")]					
Released for Production					
Format				Item No.	Revision
A1				101-S65_Inch	00
© THOMAS REGOUT INTERNATIONAL BV, Industrieweg 40, 6219 NR, Maastricht, The Netherlands, +31 (0)43 351 66 66 All rights are reserved.					